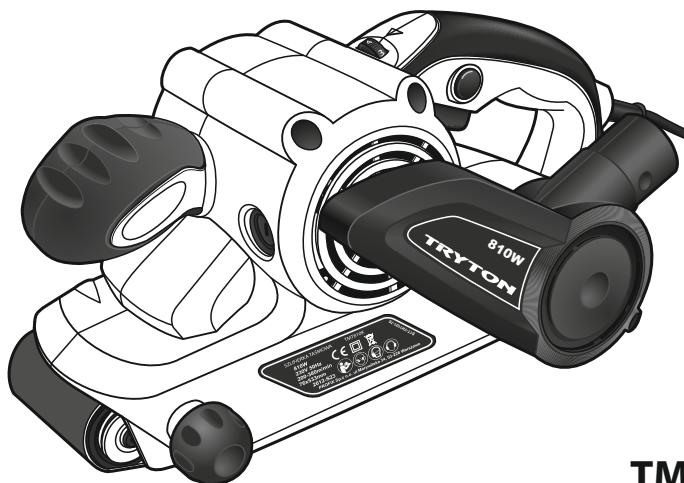


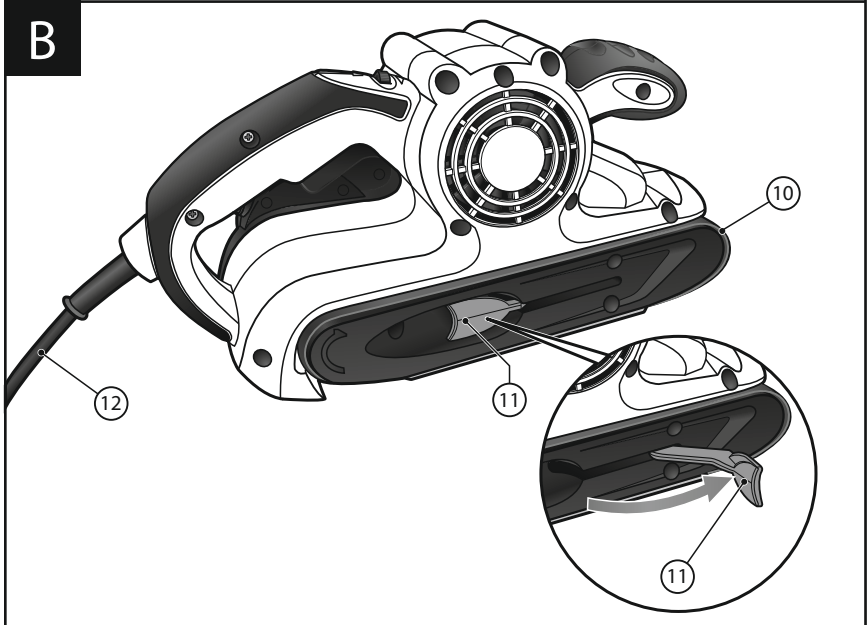
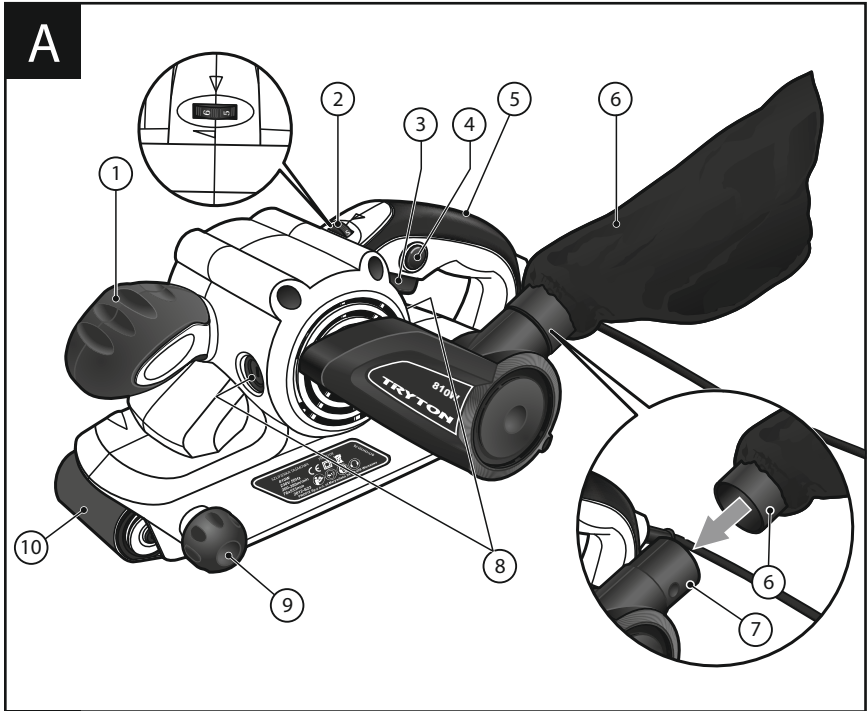
TRYTON

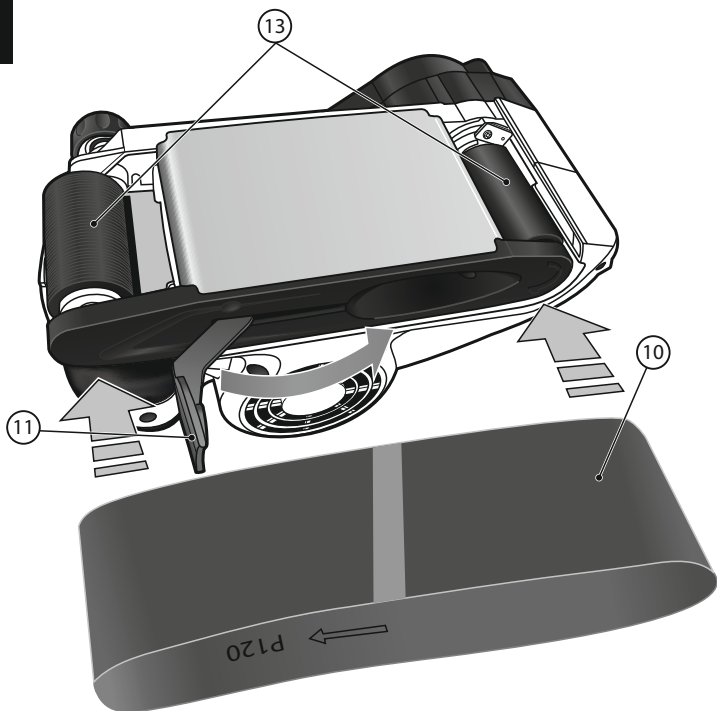
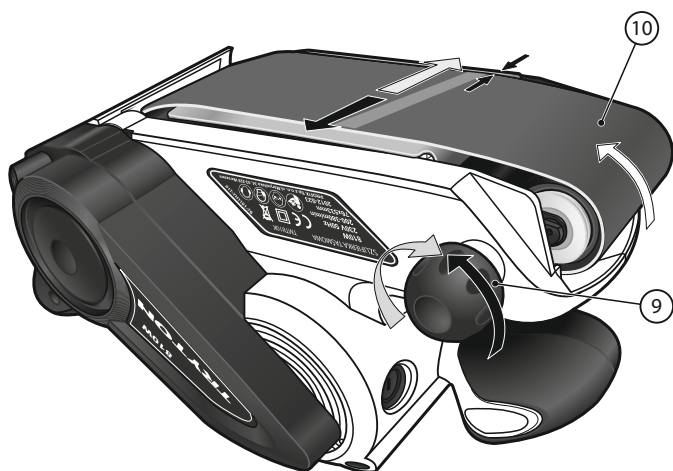
ELEKTRONARZĘDZIA



TMT810 TMT810K

EN Instruction manual	BELT SANDER	4
PL Oryginalna instrukcja obsługi	SZLIFIERKA TAŚMOWA	8
RU Инструкция по эксплуатации	ЛЕНТОЧНАЯ ШЛИФОВАЛЬНАЯ МАШИНА	13
RO Instrucții de folosire	MAȘINĂ DE ȘLEFUIT CU BANDĂ	19
LV Lietošanas instrukcija	LENTAS SLĪPMAŠĪNA	24
CS Návod na obsluhu	PÁSOVÁ BRUSKA	29
LT Naudojimo instrukcija	JUOSTINĖ ŠLIFAVIMO MAŠINĖLĖ.....	34
HU Használati utasítások	SZALAGCSISZOLÓ	38




C**D**



BEFORE YOU START USING THE MACHINE READ THOROUGHLY THIS MANUAL.

Keep this document for future reference.



WARNING! Read all safety warnings marked with a symbol  and all operating safety instructions.

To limit the risk of fire, electric shock and injury while using the device, follow all operating safety instructions and tips provided below.

Keep all work safety instructions and tips for future reference.

In warnings provided herein the expression "power tool" means a power tool powered from the mains (with a power cord) or a battery powered power tool (cordless).



WARNING! General work safety warnings for use of the tool.

Workplace safety:

- Keep your workplace tidy and well lit. Untidiness and bad lighting result in higher accident rate.
- Do not use the power tool in explosive environments, created by flammable liquids, gases or dusts. The power tool generates sparks that can ignite dust or vapors.
- Keep children and unauthorized persons away from the place where the power tools are used. Inattention may result in losing control over your power tool.



WARNING! General warnings regarding the use of power tools.

Electric safety:

- Plugs used in power tools must match wall outlets. Never modify the plug of your power tool. Do not use any extension cables when operating a power tool with a grounding/earthing conductor (PE). Any modifications of plugs and outlets increase the risk of electric shock.
- Avoid touching earthed surfaces or grounded items like pipes, heaters, central heating radiators and refrigerators. Touching earthed or grounded surfaces increases the risk of electric shock.
- Do not expose your power tool to rain or damp environments. Water penetrating the tool increases the risk of electric shock.
- Do not damage the power cord. Never use the power cord to carry, pull the power tool and do not pull by its power cord to disconnect plug from the outlet. Keep the power cord away from sources of heat, oils, sharp edges and moving parts. Damaged or entangled power cords increase the risk of electric shock.
- When your power tool is operated outdoors use extension cords intended for outdoor use only. Using an extension cable intended for outdoor use decreases the risk of electric shock.
- It is recommended to connect the device to a mains supply equipped with a residual current device (RCD) with a rated current of 30 mA or less.
- When it is unavoidable to use your power tool in a damp environment use an RCD (Residual Current Device) for protection. The use of RCDs decreases the risk of electric shock.



WARNING! General warnings regarding the use of power tools.

Personal safety:

- This equipment is not intended for use by persons (including children) disabled physically, mentally, sensorial or persons with no experience and knowledge in operating the equipment unless they operate the equipment under supervision or follow user's instructions provided by persons responsible for their safety.
- It is necessary to predict steps, watch and keep common sense when using power tools. Do not operate power tools when you are tired, under influence of drugs, medicine or alcohol. A moment of inattention while operating a power tool may result in serious personal injury.
- Use personal protective equipment (PPE). Always wear safety goggles. Wearing personal protective equipment (PPE) including a dust mask, anti-slippery footwear, a helmet and ear protection reduces personal injury.
- Avoid unexpected start up. Before connecting your power tool to the mains and/or inserting a battery make sure its power switch is in off position. Carrying your power tool with a finger on its power switch or without disconnecting it from the mains (switched on) may result in an accident.
- Before starting your power tool remove any keys/wrenches. Leaving a key/wrench in the rotating part of your power tool may result in personal injury.
- Do not lean forward too far. Always remain stable and maintain balance. It will allow you to have a better control over your power tool in unpredictable situations.
- Wear appropriate clothing. Do not wear loose clothes or jewelry. Keep your hair tied. Keep your clothes away from moving parts. Loose clothes, jewelry or long hair may be caught by moving parts.
- If your power tool allows for using an external dust extraction or collection system, make sure it is connected and used properly. Using dust collectors may reduce dust affected risks.
- Do not let your skills gained through the frequent use of the power tool make you overconfident and disregard safety rules. Carelessness may cause injury in a fraction of a second.



WARNING! General warnings regarding the use of power tools.

Use and taking care of your power tool:

- Do not overload your power tool. Use a power tool with power adjusted to work being done. An appropriately chosen power tool will allow you to work better and safer under load it has been designed for.
- Do not use a power tool when its power switch is out of order (it does not switch it on or off). Any power tool with its power switch out of order is dangerous and must be repaired.
- Always disconnect the plug from the power source and/or disconnect its battery before changing any settings, performing replacement or storage. Such preventive measures reduce the risk of accidental power tool start up.
- Keep your power tool out of reach of children and do not allow unauthorized persons to use the power tool. Power tools in hands of untrained persons can be dangerous.
- Power tools require maintenance. Check power tools for concentricity or jamming of moving parts, any cracks and all

other factors affecting the power tool worksafety. If any damage to the power tool is detected, it should be repaired before use. Improper power tool maintenance is a reason for many accidents.

- f) **Cutting tools should be sharp and clean.** Keeping sharp cutting edges in good condition reduces the risk of jamming and facilitates operation.
- g) **Power tools, equipment, working tools etc. should be used according to this user's manual taking into account operating conditions and the work to be done.** Misusing a power tool can result in dangerous situations.
- h) **At low temperatures and after a long brakes in operation it is recommended to turn the power tool to operate it with no load for a few minutes to provide proper grease distribution inside its driving mechanism.**
- i) **Use soft, damp (cannot be wet) cloth and soap to clean power tools. Do not use petrol, solvents and other agents that may damage your equipment.**
- j) **Power tools can be stored/carried after making sure that all moving components are locked and protected against release with original devices intended for this purpose.**
- k) **Store power tools in a dry, dust and water-protected place.**
- l) **Carry your power tool in its original packaging to provide protection against mechanical damage.**
- m) **Keep handles and grip surfaces clean and free from oil and grease. Secure grip and control over the tool in unexpected circumstances are impossible if handles and grip surfaces are slippery.**



WARNING! General warnings regarding the use of power tools.

Repair:

- a) **Warranty and post-warranty repairs of its power tools are carried out by PROFIX Service, which guarantees the best quality or repair and use of genuine spare parts.**
- b) **If a fixed power cord is damaged, to avoid risks it should be replaced by power tool manufacturer or in a specialty repair shop or by a qualified person.**



WARNING!

While operating power tools it is necessary to observe basic work safety rules to avoid fire, electric shock or mechanical injury.



WARNING!

BELT SANDER, detailed guidelines related to safe operation of the device:

- a) **Belt sander, hereinafter called the «sander», is not a waterproof device, it must be used for dry sanding only. Water penetrating into the handheld power tool can cause electrocution.**
- b) **During operation, when the handheld power tool can come into contact with energized power cables or its own power cord, it must be held by insulated surfaces intended for this purpose. Contact with "energized cables" can also cause "energizing" of metal parts of the handheld power tool causing electrocution of its operator.**
- c) **Sanding metal causes creation of sparks. Care must taken, so the sparks created during sanding do not constitute any threat to persons, and all flammable materials must be removed from the surrounding area. Sparking can also cause**

spontaneous combustion of sanding dust in the dust bag (6). Elevated danger exists when such a dust is mixed with residues of lacquer, polyurethane or other chemical materials, and the ground material is heated after prolonged grinding. Therefore it is necessary to avoid overheating of the ground material and the grinder, and the dust bag must always be emptied during breaks and after completion of the work.

- d) **Workplace must be kept clean.** Mixtures of materials are especially dangerous. Light metal dust can ignite or explode.
- e) **Aspiration of grinding dust is harmful to health. Direct physical contact with dusts or their penetration to lungs can cause allergic reactions and/or respiratory system diseases of the operator or persons in the vicinity. Some materials, e.g. paint coatings with lead content, contain potentially toxic chemical substances. In order to reduce the impact of these substances, the workplace must be always well ventilated, and tested and safe protective measures must be used, such as safety dust filter masks with a P2 class absorber designed especially for filtering microscopic particles. Dust extraction should be used, if only possible.**
- f) **Safety goggles must always be used in order to prevent dust from getting into eyes.**
- g) **Ear protection means (earmuffs, earplugs) must be used.**
- h) **Safety gloves must be used, and the abrasive belt must never be touched when in motion. This can cause hand injury.**
- i) **During operation, the tool should be held firmly with both hands.**
- j) **Damaged, used up or heavily fouled abrasive belts must not be used. Damaged abrasive belts can break, be rejected and cause injury.**
- k) **The sander must be powered ON and OFF only when the abrasive belt (10) does not touch the surface of processed material, otherwise the tool can be wrenched from hands.**

CONSTRUCTION AND INTENDED USE OF THE GRINDER:

The belt sander is a handheld power tool driven by a single-phase commutator motor. It is a device of the second class of equipment (double insulation).

The sander is intended for dry grinding wooden, wood-based, metal and plastic surfaces.

Do not use for asbestos or materials containing graphite.

Do not use for drywall (gypsum board joints) and similar materials. Fine dust penetrating internal parts of the machine causes blockage of ventilation spaces and leads to motor overheating and damage.

The tool must not be used for works requiring the use of a professional device. Every use of the sander other than the intended use described above is forbidden and will cause loss of warranty and rejection of responsibility of the manufacturer for any resulting damage.

Any modifications of the device introduced by the user relieve the manufacturer from any responsibility for damages and losses incurred by the user and the surroundings.

Application of the tool in accordance with the intended use also refers to its maintenance, storage, transportation and repairs.

Defective electric tools can be handed over for repairs exclusively to service workshops appointed by the tool manufacturer. The tools supplied from electric grid shall be repaired exclusively by authorized

electricians.

Despite using the tool according to its intended application it is impossible to eliminate certain residual risk factors. Considering the tool construction the following risks may occur when operating the tool:

- throwing a machined part or pieces of a machined part;
- damage of hearing when appropriate hearing protectors are not used;
- emission dust hazardous for human health when works are carried out in closed rooms (confined areas).

PACKING:

- Belt sander - 1 pc.
- Dust bag - 1 pc.
- Abrasive belt - 1 pc.
- Graphite brushes - 2 pcs.
- Operating manual - 1 pc.
- Warranty card - 1 pc.
- Transport case - 1 pc. (only to the model TMT810K)

ELEMENTS OF THE DEVICE:

Numbering scheme of elements of the device relates to the figures on pages 2-3 of the operating manual:

- Fig. A**
1. Auxiliary handle
 2. Speed adjustment knob (only to the model TMT810K)
 3. Power switch
 4. Power switch lock
 5. Handle
 6. Dust bag
 7. Dust outlet nozzle
 8. External sockets for graphite brushes
 9. Belt position adjustment knob
 10. Abrasive belt

- Fig. B**
11. Belt tensioning lever
 12. Power cord

- Fig. C**
13. Guiding rollers

TECHNICAL DETAILS:

MODEL	TMT810	TMT810K
Rated voltage	230 V	
Rated frequency	50 Hz	
Rated power	810 W	
Belt speed (m/min)	380	200-380
Abrasive belt size	533x76 mm	
Equipment class	II/□	
Weight	3,2 kg	
Power cord length	3 m	
Sound pressure level (LpA)	96,4 dB(A), ±3dB(A)	
Sound power level (LwA)	104,4 dB(A), ±3dB(A)	
Vibration level ah acc. to IEC 62841-1 (measurement tolerance K=1,5 m/s ²)	ah=4,674 m/s ²	

The vibration level value given refers to basic application of the tool. If the tool is used for other applications or with other tools, or if it is not maintained properly, the vibration level may differ from the values given. The above-mentioned causes may lead to higher exposure to vibrations during the whole work time.

One must implement additional safety measures to protect the operators from exposure to vibrations, such as maintenance of the electric tool and

work tools, assurance of proper hand temperature, or determination of the sequence of work operations.

The declared total vibrations and declared noise emissions were measured in accordance with a standard test method and may be used for tool comparison.

The declared total vibrations and noise emissions can be used in preliminary exposure assessment.

Warnings:

The vibrations and noise emissions during the actual use of the power tool may differ from the declared values depending on how the tool is used and on the type of the workpiece in particular.

Determine safeguards to protect the operator. They should be based on the estimated exposure under actual operational conditions (taking into account all parts of the operating cycle such as when the tool is switched off or idle except the start time).

PREPARING FOR USE:

1. Make sure that the power supply parameters are compatible with the parameters of the belt sander given on its data plate.
2. Make sure the power switch (3) is in the OFF position.
3. When working with an extension cord, make sure that its parameters and wire cross-sections are compatible with the parameters of the sander. Use of as short as possible extension cords is recommended. An extension cord should be completely unrolled.

■ Assembly of dust bag (see: fig. A, page 2)

NOTE: Due to health considerations, the dust bag must be always used when the tool is in operation.

1. Put the dust bag (6) onto the dust outlet nozzle (7).
2. Pull it firmly over the nozzle, as deep as possible, to prevent it from falling off during operation.

Removal of the dust bag is carried in a reverse sequence. In order to achieve the best results, the dust bag must be emptied when its half-filled.

OPERATION:

■ Powering ON/OFF

NOTE: The sander must be powered ON and OFF only when the abrasive belt (10) does not touch the processed material.

1. To power the sander ON, press the switch (3) and hold it pressed.
2. To lock the switch in the ON position, press the switch lock (4).
3. To power the sander OFF, release the switch (3), or when it is locked with the switch lock (4), press the switch briefly and then release it.

■ Adjustment of belt speed (only to the model TMT810K)

The speed adjustment knob (2) allows for setting the required belt speed. This can also be done when the sander is in operation. The required belt speed depends on the processed material and operating conditions. It can be determined by a practical trial.

Operation at the maximal speed of the motor is recommended. This allows for optimal cooling of the motor resulting in extending its lifespan.

■ Sanding

Secure the processed item on a stable base or with the use of a vice.

Power the sander ON and wait for it to achieve full speed. Gently put the sander in contact with the surface of the processed item.

During operation, the sander must be held with both hands and led in parallel to the processed surface. Pressure exerted onto the surface cannot cause any reduction in the speed of the belt. Too high pressure will cause increased wear of the abrasive belt, overload of the machine and irreversible damage to the windings of the motor.

Effectiveness of removal of the material during sanding and the quality of processing of the surface depends mainly on the type of the selected abrasive belt and on the selected belt speed. The higher belt speed, the higher amount of removed material and the more precise processing of the surface.

Wood must always be ground in the direction of its growth rings - sanding across the growth rings can bring undesirable results.

An abrasive belt used for sanding metals should not be used for other materials.

NOTE: Only abrasive belts in technically intact condition guarantee good performance of processing and prevent damage to the power tool.

■ Replacement of the abrasive belt

NOTE: Before fitting and removal of the belt, make sure the sander is powered OFF and disconnected from the power supply.

1. Pull the belt tensioning lever (11) to the outside to unlock the abrasive belt (10) (see: fig. B, page 2).
2. Pull the used-up abrasive belt off the guiding rollers (13).
3. Pull a new abrasive belt (10) over the guiding rollers (13), paying attention to the direction of rotation of the abrasive belt (arrows on the inner side of the abrasive belt) to correspond with the direction of rotation of the sander (an arrow over the rear guiding roller) (see: fig. C, page 3).
4. Pull the belt tensioning lever (11) backwards, to tension the new abrasive belt.

■ Adjustment of the belt track (see: fig. D, page 3)

Power the sander ON at low speed and check whether the abrasive belt (10) is positioned properly. If the edge of the belt sticks behind or does not reach the base edge by more than 6 mm, use the belt position adjustment knob (9) to adjust the belt track.

STORAGE AND MAINTENANCE:

The sander requires virtually no special maintenance. The sander must be stored in a place unavailable to children, in a clean condition and protected from humidity and dust. Storage conditions should prevent the possibility of mechanical damage and the influence of weather conditions.

■ Cleaning



NOTE! Prior to commence any maintenance or repair jobs make sure that the device is disconnected from the electric power network.

In order to provide safe and efficient operation, case and ventilation gaps of the sander should always be free of dust and fouling, if only possible. It is recommended to clean the tool immediately after each use.

Wipe off the sander with a soft, damp rug with a minute amount of soap. Do not use any cleaning agents or solvents; they can damage plastic parts of the sander.

Take care to not let water inside the device.

After using the tool it is recommended to clean the ventilation openings with compressed air to avoid damage to the bearings and remove dust blocking the air used for cooling the motor.

TROUBLESHOOTING:

The electric tool fails to switch on or works with breaks:



The policy of the PROFIX company consists in permanent improvements of the offered products and therefore the company reserves the right to make amendments to the product specification without a prior notice. The images included into the operation manual are only of the exemplary nature and may slightly differ from actual appearance of the device purchased. This instruction manual is protected by copyright. Copying it without the written consent of PROFIX Co. Ltd. is prohibited.

- check whether the power cord (12) is correctly plugged in and the electric power outlet is energized;
- check condition of carbon brushes and replace them if necessary.

■ Replacement of graphite brushes

The sander is equipped with external sockets for graphite brushes (8) allowing for easy replacement of brushes with the help of a wide flat screwdriver, and without the need for dismantling its case. After replacement, the brush fastening caps must be firmly tightened. Condition of the brushes must be inspected at regular intervals. Minimal length of the graphite part of a brush is 6 mm. Operation with brushes shorter than 6 mm can cause damage to the commutator of the rotor.

Brushes must be replaced in pairs. After replacement the sander must be run idle for 5 minutes.

Should you encounter any technical problems, please contact an authorized service centre.

TRANSPORT:

The sander must be transported and stored in its original transport case which protects it from mechanical damage.

ENVIRONMENTAL PROTECTION:



NOTE: The symbol nearby denotes that old equipment must never be disposed together with other wastes (with the penalty of a fine). Hazardous components of electronic equipment may adversely affect the natural environment and human health.

Each household may contribute to recovery and reuse (recycling) of old machinery and equipment. Both in Poland and Europe a system for recovery of used equipment either exists or is being developed. The system obliges all organizations that sell such equipment to collect back the used machinery and appliances. Moreover, general purpose collecting points for such equipment are also available

MANUFACTURER:

PROFIX Co. Ltd., 34, Marywilka St., 03-228 Warsaw, POLAND

This device meets the requirements of national and European standards and safety guidelines. **NOTE!** Any repair can be carried out only by qualified personnel using original spare parts.

PICTOGRAMS:

Explanation of the icons located on the nominal plate and the information tags:



— «Read this instruction before switching on the power supply and starting the work»



— «Always wear safety goggles»



— «Wear hearing protection»




— «Wear a dust mask»



PRZED PRZYSTĄPIENIEM DO UŻYTKOWANIA NALEŻY ZAPOZNAĆ SIĘ Z NINIEJSZĄ INSTRUKCJĄ.

Zachowaj instrukcję do ewentualnego przyszłego wykorzystania.



OSTRZEŻENIE! Należy przeczytać wszystkie ostrzeżenia dotyczące bezpieczeństwa użytkowania oznaczone symbolem  i wszystkie wskazówki dotyczące bezpieczeństwa użytkowania.

Nieprzestrzeganie podanych niżej ostrzeżeń dotyczących bezpieczeństwa i wskazówek dotyczących bezpieczeństwa może być przyczyną porażenia prądem elektrycznym, pożaru i/lub poważnych obrażeń.

Zachowaj wszystkie ostrzeżenia i wskazówki dotyczące bezpieczeństwa, aby móc skorzystać z nich w przyszłości.

W podanych niżej ostrzeżeniach wyrażenie „elektronarzędzie” oznacza elektronarzędzie zasilane z sieci (z przewodem zasilającym) lub elektronarzędzie zasilane z akumulatora (bezprowodowe).



OSTRZEŻENIE! Ogólne ostrzeżenia dotyczące bezpieczeństwa użytkowania narzędzia.

Bezpieczeństwo w miejscu pracy:

- W miejscu pracy należy utrzymywać porządek i dobre oświetlenie. *Nieporządek i złe oświetlenie przyczynia się do wypadków.*
- Nie należy używać elektronarzędzia w środowiskach wybuchowych, tworzonych przez łatwo palne ciecze, gazy lub pyły. *Elektronarzędzie wytwarza iskry, które mogą zapalić pył lub opary.*
- Nie należy dopuszczać dzieci i obserwatorów do miejsc, w których używa się elektronarzędzi. *Rozproszenie uwagi może spowodować utratę kontroli nad elektronarzędziem.*



OSTRZEŻENIE! Ogólne ostrzeżenia dotyczące bezpieczeństwa użytkowania narzędzia.

Bezpieczeństwo elektryczne:

- Wtyczki elektronarzędzi muszą pasować do gniazdek. Nigdy w żaden sposób nie należy przerabiać wtyczki. Nie należy używać żadnych przedłużaczy w przypadku elektronarzędzi mających przewód z żyłą uziemienia ochronnego. *Brak przeróbek we wtyczkach i gniazdkach wtyczkowych zmniejsza ryzyko porażenia prądem elektrycznym.*
- Należy unikać dotykania powierzchni uziemionych lub zwartych z masą, takich jak rury, ogrzewacze, grzejniki centralnego ogrzewania i chłodziarki. *W przypadku dotknięcia części uziemionych lub zwartych z masą, wzrasta ryzyko porażenia prądem elektrycznym.*
- Nie należy narażać elektronarzędzi na działanie deszczu lub warunków wilgotnych. *W przypadku przedostania się do elektronarzędzia wody, wzrasta ryzyko porażenia prądem elektrycznym.*
- Nie należy nadwierać przewodów przyłączeniowych. Nigdy nie należy używać przewodu przyłączeniowego do przenoszenia, ciągnięcia elektronarzędzia lub wyciągania wtyczki z gniazdka. Należy trzymać przewód przyłączeniowy z daleka od źródeł ciepła, olejów, ostrych krawędzi lub ruchomych części. *Uszkodzone lub zaplątane przewody przyłączeniowe zwiększają ryzyko porażenia prądem elektrycznym.*
- W przypadku, gdy elektronarzędzie używa się na wolnym powietrzu, przewody przyłączeniowe należy przedłużyć

przedłużaczami przeznaczonymi do pracy na wolnym powietrzu. *Używanie przedłużacza przeznaczonego do pracy na wolnym powietrzu zmniejsza ryzyko porażenia prądem elektrycznym.*

- Zaleca się podłączenie urządzenia do sieci elektrycznej wyposażonej w wyłącznik różnicowo-prądowy (RCD) o prądzie wyłączenia 30mA lub mniejszym.
- W przypadku, gdy używanie elektronarzędzia w środowisku wilgotnym jest nieuniknione, jako ochronę przed napięciem zasilania należy stosować urządzenie różnicowoprądowe (RCD). *Zastosowanie RCD zmniejsza ryzyko porażenia prądem elektrycznym.*



OSTRZEŻENIE! Ogólne ostrzeżenia dotyczące bezpieczeństwa użytkowania narzędzia.

Bezpieczeństwo osobiste:

- Niniejszy sprzęt nie jest przeznaczony do użytkowania przez osoby (w tym dzieci) o ograniczonej zdolności fizycznej, czuciowej lub psychicznej, lub osoby nie mające doświadczenia lub znajomości sprzętu, chyba że odbywa się to pod nadzorem lub zgodnie z instrukcją użytkowania sprzętu, przekazanej przez osoby odpowiedzialne za ich bezpieczeństwo.
- Należy być przewidującym, obserwować co się robi i zachowywać rozsądek podczas używania elektronarzędzia. *Nie należy używać elektronarzędzia, gdy jest się zmęczonym lub pod wpływem narkotyków, alkoholu lub leków. Chwila nieuwagi podczas pracy elektronarzędziem może spowodować poważne osobiste obrażenia.*
- Należy stosować wyposażenie ochronne. Należy zawsze zakładać okulary ochronne. *Używanie w odpowiednich warunkach wyposażenia ochronnego, takiego jak maska przeciwpyłowa, obuwie antypoślizgowe, kask lub ochronniki słuchu, zmniejsza osobiste obrażenia.*
- Należy unikać niezamierzonego rozruchu. *Przed przyłączeniem do źródła zasilania i/lub przed podłączeniem akumulatora oraz zanim podniesie się lub przeniesie się narzędzie należy upewnić się, że wyłącznik elektronarzędzia jest w pozycji wyłączony. Przenoszenie elektronarzędzia z palcem na wyłączniku lub przyłączenie elektronarzędzia do sieci zasilającej przy założonym wyłączniku może być przyczyną wypadku.*
- Przed uruchomieniem elektronarzędzia należy usunąć wszystkie klucze. *Pozostawienie klucza w obracającej się części elektronarzędzia może spowodować osobiste obrażenia.*
- Nie należy wychylać się za daleko. *Należy cały czas stać pewnie i zachować równowagę. Umożliwi to lepszą kontrolę nad elektronarzędziem w sytuacjach nieprzewidywalnych.*
- Należy odpowiednio się ubierać. *Nie należy nosić luźnego ubrania ani biżuterii. Należy utrzymywać swoje włosy, ubranie i rękawiczki z dala od części ruchomych. Luźne ubranie, biżuteria lub długie włosy mogą zostać zacepienie przez części ruchome.*
- Jeżeli urządzenia są przystosowane do przyłączenia zewnętrznego odciążu pyłu i pochłaniacza pyłu, należy upewnić się, że są one przyłączone i prawidłowo użyte. *Użycie pochłaniacza pyłu może zredukować zagrożenia zależne od zapylenia.*
- Nie pozwól, aby umiejętności uzyskane dzięki częstemu korzystaniu z elektronarzędzia pozwoliły Ci poczuć się pewnym siebie i zignorować zasady bezpieczeństwa. *Nieostrożne działanie*

może spowodować poważne obrażenia w ułamku sekundy.



OSTRZEŻENIE! Ogólne ostrzeżenia dotyczące bezpieczeństwa użytkowania narzędzia.

Użytkowanie i troska o elektronarzędzie:

- a) Nie należy elektronarzędzia przeciążać. Należy stosować elektronarzędzie o mocy odpowiedniej do wykonywanej pracy. Właściwe elektronarzędzie umożliwi pracę lepszą i bezpieczniejszą przy obciążeniu, na jakie zostało zaprojektowane.
- b) Nie należy używać elektronarzędzia, jeżeli łącznik go nie załącza i nie wyłącza. Każde elektronarzędzie, którego nie można załączać lub wyłączać łącznikiem, jest niebezpieczne i musi zostać naprawione.
- c) Należy odłączać wtyczkę ze źródła zasilania elektronarzędzia i/lub odłączyć akumulator przed wykonaniem każdej nastawy, wymiany części lub magazynowaniem. Takie zapobiegawcze środki bezpieczeństwa redukują ryzyko przypadkowego rozruchu elektronarzędzia.
- d) Nieużywane elektronarzędzie należy przechowywać poza zasięgiem dzieci i nie należy pozwalać osobom niezaznajomionym z elektronarzędziem lub niniejszą instrukcją na używanie elektronarzędzia. Elektronarzędzia są niebezpieczne w rękach nieprzeszkolonych użytkowników.
- e) Elektronarzędzia należy konserwować. Należy sprawdzać współosiowość lub zakleszczenie się części ruchomych, pęknięcia części i wszystkie inne czynniki, które mogą mieć wpływ na pracę elektronarzędzia. Jeżeli stwierdzi się uszkodzenia, należy elektronarzędzie przed użyciem naprawić. Przyczyną wielu wypadków jest niefachowy sposób konserwacji elektronarzędzia.
- f) Narzędzia tnące powinny być ostre i czyste. Odpowiednie utrzymywanie ostrych krawędzi narzędzi tnących zmniejsza prawdopodobieństwo zakleszczenia i ułatwia obsługę.
- g) Elektronarzędzie, wyposażenie, narzędzia robocze itp. należy stosować zgodnie z niniejszą instrukcją, biorąc pod uwagę warunki pracy i rodzaj pracy do wykonania. Używanie elektronarzędzia w sposób, do jakiego nie jest przewidziane, może spowodować niebezpieczne sytuacje.
- h) W niskich temperaturach, lub po dłuższym okresie nie użytkowania, zalecane jest włączenie elektronarzędzia bez obciążenia na okres kilku minut w celu właściwego rozprowadzenia smaru w mechanizmie napędu.
- i) Do czyszczenia elektronarzędzi stosować miękką, wilgotną (nie mokra) szmatkę i mydło. Nie stosować benzyny, rozpuszczalników i innych środków mogących uszkodzić urządzenie.
- j) Elektronarzędzie należy przechowywać/ transportować po upewnieniu się, że wszystkie jego elementy ruchome są zablokowane i zabezpieczone przed odblokowaniem za pomocą oryginalnych elementów do tego przeznaczonych.
- k) Elektronarzędzie należy przechowywać w miejscu suchym, zabezpieczone przed kurzem i wnikaniem wilgoci.
- l) Transportowanie elektronarzędzia powinno odbywać się w opakowaniu oryginalnym, zabezpieczającym przed uszkodzeniami mechanicznymi.

- m) Uchwyty i powierzchnie chwytne należy utrzymywać czyste i wolne od oleju i smaru. Śliskie uchwyty i powierzchnie chwytne pozwalają na bezpieczne trzymanie i kontrolę narzędzia w nieoczekiwanych sytuacjach.



OSTRZEŻENIE! Ogólne ostrzeżenia dotyczące bezpieczeństwa użytkowania narzędzia.

Naprawa:

- a) Naprawy gwarancyjne i pogwarancyjne swoich elektronarzędzi wykonuje Serwis PROFIX, co gwarantuje najwyższą jakość napraw oraz stosowanie oryginalnych części zamiennych.
- b) Jeżeli przewód zasilający nieodłączalnym ulegnie uszkodzeniu, to powinien on być wymieniony u wytwórcy lub w specjalistycznym zakładzie naprawczym albo przez wykwalifikowaną osobę w celu uniknięcia zagrożenia.



OSTRZEŻENIE!

Podczas pracy narzędziem elektrycznym zaleca się zawsze przestrzegać podstawowych zasad bezpieczeństwa pracy, w celu uniknięcia wybuchu pożaru, porażenia prądem elektrycznym lub obrażenia mechanicznego.



OSTRZEŻENIE! SZLIFIERKA TAŚMOWA, szczególne wskazówki dotyczące bezpiecznego użytkowania urządzenia:

- a) Szlifierka taśmowa, zwana dalej «szlifierką», nie jest urządzeniem wodoodpornym, należy używać ją jedynie do szlifowania na sucho. Przeniknięcie wody do środka elektronarzędzia może spowodować porażenie prądem.
- b) Elektronarzędzie należy trzymać za izolowane powierzchnie przeznaczone do tego celu podczas pracy, przy której elektronarzędzie może mieć styczność z przewodami pod napięciem lub z jej własnym przewodem zasilającym. Zetknięcie się z „przewodami pod napięciem” może także spowodować znalezienie się „pod napięciem” metalowych części elektronarzędzia powodując porażenie operatora.
- c) Przy szlifowaniu metali powstają iskry. Należy zadbać o to, aby powstające przy pracy iskry nie stanowiły dla nikogo zagrożenia, oraz usunąć wszystkie znajdujące się w pobliżu łatwopalne materiały. Pod wpływem iskrzenia, może również dojść do samozapalenia się pyłu szlifierskiego w worku na pył (6). Zwiększone niebezpieczeństwo istnieje, gdy pył taki zmieszany jest z resztkami lakieru, poliuretanu lub innymi chemicznymi materiałami, a materiał szlifowany jest po długiej obróbce rozgrzany. W związku z tym należy unikać przegrzania się szlifowanego materiału i szlifierki oraz zawsze opróżniać worek na pył w przerwach i po zakończeniu pracy.
- d) Miejsce pracy należy utrzymywać w czystości. Mieszanki materiałów są szczególnie niebezpieczne. Pył z metalu lekkiego może się zapalić lub wybuchnąć.
- e) Wdychanie pyłu szlifierskiego jest szkodliwe dla zdrowia. Bezpośredni kontakt fizyczny z pyłami lub przedostanie się ich do płuc może wywołać reakcje alergiczne i/lub choroby układu oddechowego operatora lub osób znajdujących się w

pobliżu. Niektóre materiały, np. powłoki malarskie z zawartością ołowiu, zawierają substancje chemiczne, które mogą być toksyczne. Żeby zmniejszyć oddziaływanie tych związków chemicznych należy zawsze dbać o dobrą wentylację stanowiska pracy i pracować w sprawdzonych bezpiecznych środkach ochronnych typu maski przeciwpyłowe z pochłaniaczem klasy P2, które zostały specjalnie opracowane dla filtrowania cząstek mikroskopijnych. W razie możliwości należy stosować odsysanie pyłów.

- f) Podczas pracy należy zawsze używać gogli, żeby uniknąć zapylenia oczu.
- g) Należy stosować środki ochrony słuchu (nauszniki, stopery).
- h) Należy stosować rękawice ochronne i nigdy nie wolno dotykać znajdującej się w ruchu taśmy szlifierskiej. Grozi to skażeniem dłoni.
- i) Podczas pracy urządzenie należy trzymać pewnie dwoma rękoma.
- j) Nie należy stosować uszkodzonych, zużytych lub silnie zanieczyszczonych taśm ściernych. Uszkodzone taśmy ścierne mogą się zerwać, zostać odrzucone i spowodować obrażenia.
- k) Szlifierkę należy włączać i wyłączać tylko w momencie, gdy taśma ścierna (10) nie dotyka obrabianego materiału, w przeciwnym razie elektronarzędzie może zostać wyrwane z ręki.

BUDOWA I PRZEZNACZENIE SZLIFIERKI:

Szlifierka taśmowa jest ręcznym elektronarzędziem napędzanym silnikiem jednofazowym, komutatorowym. Urządzenie w drugiej klasie sprzętu (podwójna izolacja).

Szlifierka przeznaczona jest do szlifowania na sucho powierzchni drewnianych, drewnopochodnych, metalowych, tworzyw sztucznych.

Nie stosować do azbestu i materiałów zawierających grafit.

Nie stosować do gipsu (spoiny płyt kartonowo-gipsowych) i temu podobnych materiałów. Drobną pył wnikającą do wnętrza maszyny powoduje blokowanie przestrzeni wentylacyjnych, co prowadzi do przegrzania i spalania silnika.

Nie wolno wykorzystywać narzędzia do wykonywania prac wymagających zastosowania profesjonalnego urządzenia.

Każde użycie szlifierki niezgodne z przeznaczeniem podanym wyżej jest zabronione i powoduje utratę gwarancji oraz brak odpowiedzialności producenta za powstałe w wyniku tego szkody.

Jakiegokolwiek modyfikacje urządzenia dokonane przez użytkownika zwalniają producenta z odpowiedzialności za uszkodzenia i szkody wyrządzone użytkownikowi i otoczeniu.

Poprawne użytkowanie szlifierki dotyczy także konserwacji, składowania, transportu i napraw.

Szlifierka może być naprawiana wyłącznie w punktach serwisowych wyznaczonych przez producenta. Urządzenia zasilane z sieci powinny być naprawiane tylko przez osoby uprawnione.

Pomimo zgodnego z przeznaczeniem zastosowania nie można całkowicie wyeliminować określonych czynników ryzyka resztkowego. Ze względu na konstrukcję i budowę maszyny mogą wystąpić następujące zagrożenia:

- odrzucenie przedmiotu obrabianego lub części przedmiotu

obrabianego;

- uszkodzenia słuchu w wypadku niestosowania koniecznej ochrony słuchu;
- szkodliwe dla zdrowia emisje pyłów w przypadku wykonywania prac w zamkniętych pomieszczeniach.

KOMPLETACJA:

- Szlifierka - 1szt.
- Worek na pył - 1szt.
- Taśma ścierna - 1szt.
- Szczotki węglowe - 2szt.
- Instrukcja obsługi - 1szt.
- Karta gwarancyjna - 1szt.
- Walizka transportowa - 1szt. (tylko do modelu TMT810K)

ELEMENTY URZĄDZENIA:

Numeracja elementów urządzenia odnosi się do przedstawienia graficznego umieszczonego na stronach 2-3 instrukcji obsługi:

Rys. A 1. Uchwyt pomocniczy


2. Pokrętko regulacji prędkości (tylko w modelu TMT810K)
3. Włącznik
4. Blokada włącznika
5. Uchwyt główny
6. Worek na pył
7. Dysza wylotu pyłu
8. Zewnętrzne gniazda szczotek węglowych
9. Pokrętko regulacji położenia taśmy
10. Taśma ścierna

Rys. B 11. Dźwignia napinająca taśmę

12. Przewód zasilający

Rys. C 13. Rolki prowadzące

DANE TECHNICZNE:

MODEL	TMT810	TMT810K
Napięcie nominalne	230 V	
Częstotliwość nominalna	50 Hz	
Moc pobierana	810 W	
Prędkość przesuwu taśmy (m/min)	380	200-380
Rozmiar taśmy ścierniej	533x76 mm	
Klasa sprzętu	II/ 	
Masa	3,2 kg	
Długość przewodu zasilającego	3 m	
Poziom ciśnienia akustycznego (LpA)	96,4 dB(A), ±3dB(A)	
Poziom mocy akustycznej (LwA)	104,4 dB(A), ±3dB(A)	
Poziom vibracji ah wg IEC 62841-1 (tolerancja pomiaru K=1,5 m/s ²)	ah=4,674 m/s ²	

Podany poziom drgań jest reprezentatywny dla podstawowych zastosowań elektronarzędzia. Jeżeli elektronarzędzie użyte zostanie do innych zastosowań lub z innymi narzędziami roboczymi, a także jeśli nie będzie wystarczająco konserwowane, poziom vibracji może odbiegać od podanego. Podane powyżej przyczyny mogą spowodować podwyższenie ekspozycji na vibrację podczas całego czasu pracy. Należy wprowadzić dodatkowe środki bezpieczeństwa, mające na celu

ochronę operatora przed skutkami ekspozycji na wibracje, np.: konserwacja elektronarzędzia i narzędzi roboczych, zabezpieczenie odpowiedniej temperatury rąk, ustalenie kolejności operacji roboczych.

Deklarowana całkowita wartość drgań i deklarowane wartości emisji hałasu zostały zmierzone zgodnie ze standardową metodą badawczą i mogą być wykorzystane do porównania jednego narzędzia z innym.

Deklarowane wartości całkowite drgań i deklarowane wartości emisji hałasu można wykorzystać westępnej ocenie narażenia.

Ostrzeżenia:

Wibracje i emisja hałasu podczas rzeczywistego użytkowania elektronarzędzia mogą różnić się od deklarowanych wartości w zależności od sposobu, w jaki narzędzia są używane, w szczególności od rodzaju obrabianego przedmiotu.

Należy określić środki bezpieczeństwa w celu ochrony operatora, które opierają się na oszacowaniu narażenia w rzeczywistym stanie użytkowania (biorąc pod uwagę wszystkie części cyklu operacyjnego, takie jak czasy, w których narzędzie jest wyłączone i kiedy pracuje na biegu jałowym za wyjątkiem czasu wyzwalania).

PRZYGOTOWANIE DO PRACY:

1. Upewnić się, że źródło zasilania ma parametry odpowiadające parametrom szlifierki podanym na tabliczce znamionowej.
2. Upewnić się, że włącznik (3) szlifierki jest w pozycji wyłączenia.
3. W przypadku pracy z przedłużaczem należy upewnić się że parametry przedłużacza, przekroje przewodów, odpowiadają parametrom szlifierki. Zaleca się stosowanie jak najkrótszych przedłużaczy. Przedłużacz powinien być całkowicie rozwinięty.

■ Montaż worka na pył (patrz: rys. A, str. 2)

UWAGA: Ze względów zdrowotnych należy w trakcie pracy zawsze stosować worek na pył.

1. Założyć worek na pył (6) na dyszę wylotu pyłu (7).
2. Wcisnąć go mocno na dyszę, najgłębiej jak to możliwe, aby nie spadł on podczas pracy.

Usunięcie worka na pył następuje w odwrotnej kolejności. W celu uzyskania najlepszych wyników należy opróżnić worek na pył, kiedy jest on wypełniony w przybliżeniu do połowy.

OBSŁUGA:

■ Włączanie/wyłączenie

UWAGA: Szlifierkę należy włączać i wyłączać tylko w momencie gdy taśma ścierna (10) nie dotyka obrabianego materiału.

1. W celu włączenia szlifierki należy nacisnąć włącznik (3) i trzymać wciśnięty.
2. Aby zablokować włącznik w pozycji włączonej należy wcisnąć blokadę włącznika (4).
3. W celu wyłączenia szlifierki, należy włącznik (3) zwolnić, lub gdy jest on unieruchomiony blokadą włącznika (4), nacisnąć go krótko i następnie zwolnić.

■ Nastawianie prędkości przesuwu taśmy (tylko w modelu TMT810K)

Pokrętłem regulacji prędkości (2) można nastawić wymaganą prędkość przesuwu taśmy. Można to zrobić również podczas pracy. Wymagana prędkość przesuwu taśmy zależna jest od obrabianego materiału i warunków pracy. Ustalic ją można przeprowadzając próbę praktyczną. Zaleca się pracować na maksymalnych obrotach silnika. Pozwala to na

optymalne chłodzenie silnika co przedłuża jego żywotność.

■ Szlifowanie

Zabezpieczyć obrabiany przedmiot na stabilnym podłożu lub za pomocą imadła.

Włączyć urządzenie i zaczekać, aż osiągnie pełną prędkość. Następnie delikatnie zetknąć szlifierkę z powierzchnią obrabianego przedmiotu.

Podczas pracy szlifierkę należy prowadzić równoległe do obrabianej powierzchni trzymając ją oburącz. Nacisk na powierzchnie nie może powodować spowalniania przesuwu taśmy. Zbyt duży nacisk powoduje zwiększone zużycie taśmy ścierniej, przeciążenie maszyny i nieodwracalne uszkodzenia uzwojeń silnika.

Wydajność usuwania materiału podczas szlifowania i jakości obróbki powierzchni uzależnione są przede wszystkim od rodzaju wybranej taśmy ścierniej oraz od wybranej prędkości przesuwu taśmy. Im większa szybkość taśmy, tym większa ilość usuwanego materiału i tym precyzyjniejsza obróbka powierzchni.

Drewno należy szlifować zawsze w kierunku rysunku stojów – w wyniku szlifowania w poprzek rysunku stojów można osiągnąć niepożądane efekty.

Taśmy szlifierskiej użytej do obróbki metalu nie należy stosować do innych materiałów.

UWAGA: Tylko taśmy szlifierskie, znajdujące się w technicznie nienagannym stanie gwarantują dobrą wydajność obróbki i zapobiegają uszkodzeniom elektronarzędzia.

■ Wymiana taśmy ścierniej

UWAGA! Przed rozpoczęciem dowolnych prac związanych z obsługą oraz przygotowaniem urządzenia do pracy, należy upewnić się czy narzędzie jest odłączone od sieci elektrycznej.

1. Pociągnąć dźwignię napinającą taśmę (11) na zewnątrz, aby odblokować taśmę ścierną (10) (patrz: rys. B, str. 2).
2. Ściągnąć zużytą taśmę ścierną z rolek prowadzących (13).
3. Wsunąć nową taśmę ścierną (10) na rolki prowadzące (13), uważając na to, żeby kierunek obrotu taśmy ścierniej (strzałki na wewnętrznej stronie taśmy ścierniej) zgadzał się z kierunkiem obrotu szlifierki (strzałka nad tylną rolką prowadzącą) (patrz: rys. C, str. 3).
4. Pociągnąć dźwignię napinającą taśmę (11) do tyłu, aby napiąć taśmę ścierną.

■ Regulacja toru taśmy (patrz: rys. D, str. 3)

Włącz urządzenie na małych obrotach i sprawdź, czy taśma ścierna (10) jest prawidłowo ułożona. Jeżeli brzeg taśmy wystaje poza brzeg podstawy lub nie dochodzi do brzegu podstawy na więcej niż 6 mm, użyj pokrętła regulacji położenia taśmy (9) do wyrównania toru taśmy.

PRZECHOWYWANIE I KONSERWACJA:

Maszyna w zasadzie nie wymaga specjalnych zabiegów konserwacyjnych. Maszynę należy przechowywać w miejscu niedostępnym dla dzieci, utrzymywać w stanie czystości, chronić przed wilgocią i zapyleniem. Warunki przechowywania powinny wykluczać możliwość uszkodzeń mechanicznych oraz wpływ czynników atmosferycznych.

■ Czyszczenie



UWAGA! Przed przystąpieniem do czyszczenia i prac konserwacyjnych należy upewnić się, że urządzenie jest odłączone od źródła zasilania.

Abym zapewnić bezpieczną i wydajną pracę, elektronarzędzie i szczeliny

wentylacyjne należy utrzymywać w czystości. Zaleca się czyszczenie urządzenia bezpośrednio po każdorazowym użyciu.

Zewnętrzne plastikowe części mogą być oczyszczone za pomocą wilgotnej tkaniny i delikatnego czyszczącego środka. NIGDY nie należy wykorzystywać środków rozpuszczających - mogą one uszkodzić części urządzenia wykonane z tworzywa sztucznego. Należy uważać, aby do wnętrza urządzenia nie dostała się woda.

Po pracy zaleca się przedmuchiwanie sprężonym powietrzem o niskim ciśnieniu otworów wentylacyjnych, zapobiegnie to uszkodzeniom łożysk i usunie pył blokujący dopływ powietrza chłodzącego silnik.

TYPOWE USTERKI I ICH USUWANIE:

Elektronarzędzie nie włącza się lub przerywa pracę:

- sprawdzić czy przewód zasilający (12) jest prawidłowo podłączony oraz dopływ prądu do gniazda zasilającego;
- sprawdzić stan szczotek węglowych i w razie potrzeby wymienić je.

■ Wymiana szczotek węglowych

Maszyna jest wyposażona w zewnętrzne gniazda szczotek węglowych (8), pozwalające na łatwą wymianę szczotek, za pomocą szerokiego płaskiego wkrętaka, bez konieczności rozkręcania obudowy. Po wymianie korki mocujące szczotki należy dokręcić do oporu. Stan szczotek należy regularnie kontrolować. Minimalna długość grafitu szczotki wynosi 6 mm. Praca ze szczotkami krótszymi niż 6 mm może spowodować uszkodzenie komutatora wirnika.

Wymieniać szczotki należy parami. Po wymianie szczotek należy uruchomić urządzenie na 5 minut na biegu jałowym.

W razie problemów technicznych prosimy kontaktować się z uprawnionym serwisem.

TRANSPORT:

Szlifierkę transportować i przechowywać w opakowaniu chroniącym przed wilgocią, wnikaniem pyłu i drobnych ciał stałych – zwłaszcza należy zabezpieczyć otwory wentylacyjne. Drobne elementy, które dostaną się do wnętrza obudowy mogą uszkodzić silnik.

OCHRONA ŚRODOWISKA:



UWAGA: Przedstawiony symbol oznacza zakaz umieszczania zużytego sprzętu łącznie z innymi odpadami (z zagrożeniem karą grzywny). Składniki niebezpieczne znajdujące się w

sprzęcie elektrycznym i elektronicznym wpływają negatywnie na środowisko naturalne i zdrowie ludzi.

Gospodarstwo domowe powinno przyczyniać się do odzysku i ponownego użycia (recyklingu) zużytego sprzętu. W Polsce i w Europie tworzony jest lub już istnieje system zbierania zużytego sprzętu, w ramach którego wszystkie punkty sprzedaży ww. sprzętu mają obowiązek przyjmować zużyty sprzęt. Ponadto istnieją punkty zbiórki ww. sprzętu.

PRODUCENT:

PROFIX SP. Z O.O.,
ul. Marywiłska 34,
03-228 Warszawa, Polska

Niniejsze urządzenie jest zgodne z normami krajowymi i europejskimi, oraz z wytycznymi bezpieczeństwa.

UWAGA! Wszelkie naprawy muszą być przeprowadzane przez wykwalifikowany personel, używając oryginalnych części zamiennych.

PIKTOGRAMY:

Objaśnienia ikonek znajdujących się na tabliczce znamionowej i naklejkach informacyjnych.



— «Przed uruchomieniem należy przeczytać instrukcję obsługi»



— «Zawsze stosować okulary ochronne»



— «Stosować środki ochrony słuchu»



— «Stosować maskę przeciwpyłową»



Polityka firmy PROFIX jest polityką stałego udoskonalania swoich produktów i dlatego firma rezerwuje sobie prawo zmiany specyfikacji wyrobu bez uprzedniego zawiadomienia. Obrazki, podane w instrukcji obsługi, są przykładowe i mogą się nieznacznie różnić od rzeczywistego wyglądu zakupionego urządzenia.


Niniejsza instrukcja jest chroniona prawem autorskim. Kopiowanie/ powielanie jej bez pisemnej zgody firmy Profix Sp. z o.o. jest zabronione.



ПЕРЕД НАЧАЛОМ ЭКСПЛУАТАЦИИ НЕОБХОДИМО ОЗНАКОМИТЬСЯ С НАСТОЯЩЕЙ ИНСТРУКЦИЕЙ.

Хранить инструкцию для возможного применения в будущем.



ПРЕДУПРЕЖДЕНИЕ! Необходимо ознакомиться со всеми предупреждениями, касающимися безопасности при эксплуатации, обозначенными символом  и всеми указаниями по технике безопасности.

Несоблюдение указанных ниже предупреждений, касающихся безопасности и указаний по технике безопасности может привести к поражению электрическим током, пожару и/или серьезным травмам тела.

Необходимо хранить все предупреждения и указания, касающиеся техники безопасности, чтобы можно было воспользоваться ними в будущем.

В указанных ниже предупреждениях слово „электроинструмент“ означает электроинструмент с питанием от сети (посредством электрического кабеля) или электроинструмент, питаемый от аккумулятора (беспроводное питание).



ПРЕДУПРЕЖДЕНИЕ! Общие предупреждения, касающиеся безопасности при эксплуатации инструмента.

Техника безопасности на рабочем месте:

- a) Необходимо поддерживать порядок и хорошее освещение на рабочем месте. Беспорядок и плохое освещение являются причиной несчастных случаев.
- б) На следует использовать электроинструмент во взрывоопасной среде, образующейся легко воспламеняющимися жидкостями, газами или пылью. Электроинструмент создаёт искры, которые могут привести к воспламенению пыли или испарений.
- в) Не допускать детей и наблюдателей в места, в которых применяются электроинструменты. Отвлечение внимания может привести к потере контроля над электроинструментом.



ПРЕДУПРЕЖДЕНИЕ! Общие предупреждения, касающиеся безопасности при эксплуатации инструмента.

Электробезопасность:

- a) Штепсельные вилки должны соответствовать сетевым розеткам. Ни в коем случае не переделывать каким-либо образом штепсельную вилку. Не применять каких-либо удлинителей электропитания в случае использования электроинструментов, имеющих провод электропитания с защитным заземляющим проводником. *Отсутствие переделок штепсельных розеток и сетевых розеток снижает опасность поражения электрическим током.*
- б) Необходимо избегать прикосновения к поверхности заземлённых или закороченных на массу элементов, таких как трубы, нагреватели, радиаторы центрального отопления и холодильные агрегаты. В случае прикосновения заземлённого или закороченного на массу элемента увеличивается опасность поражения электрическим током.
- в) Не подвергать электроинструменты воздействию дождя

или влажных условий. В случае попадания в электроинструмент воды увеличивается опасность поражения электрическим током.

- г) **Не создавать опасности повреждения кабеля электропитания.** Ни в коем случае не использовать кабеля электропитания, чтобы переносить или тянуть электроинструмент или для извлечения штепсельной вилки из розетки. Кабель электропитания должен находиться вдали от источников тепла, масел, острых краёв и движущихся частей. *Повреждённые или запутанные кабели электропитания увеличивают опасность поражения электрическим током.*
- д) Если электроинструмент эксплуатируется на свежем воздухе, следует использовать удлинители кабеля электропитания, предназначенные для работы вне помещений. *Использование удлинителя кабеля электропитания, предназначенного для работы вне помещений, снижает опасность поражения электрическим током.*
- е) Рекомендуется подключение устройства к электрической сети, снабжённой выключателем остаточного тока (RCD) с током выключения 30 мА или менее.
- ё) Если эксплуатация электроинструмента во влажной среде неизбежна, в качестве защиты от напряжения питания необходимо использовать защитное устройство по разностному току (RCD). *Применение защитного устройства по разностному току снижает опасность поражения электрическим током.*



ПРЕДУПРЕЖДЕНИЕ! Общие предупреждения, касающиеся безопасности при эксплуатации инструмента.

Индивидуальная безопасность:

- a) Настоящее оборудование не предназначено для эксплуатации лицами (включая детей) с физическими, сенсорными или умственными ограничениями или лицами, не имеющими опыта или не знающими оборудования, разве что это осуществляется под надзором или в соответствии с инструкцией по эксплуатации оборудования, переданной лицами, отвечающими за их безопасность.
- б) Необходимо быть предусмотрительным, наблюдать за работой и руководствоваться здравым смыслом во время эксплуатации электроинструмента. Не следует эксплуатировать электроинструмент в состоянии переутомления или находясь под действием наркотиков, алкоголя или лекарств. *Менювание невнимания во время эксплуатации электроинструмента может быть причиной травмы пользователя.*
- в) Необходимо применять средства личной защиты. **Необходимо обязательно работать с защитными очками.** *Применение в соответствующих условиях средств личной защиты, таких как противопыльный респиратор, противоскользящая обувь, каска или средства защиты слуха снизит риск получения травмы.*
- г) Необходимо избегать случайного запуска в работу.

Прежде чем вставить вилку кабеля электропитания в сетевую розетку или подключить аккумулятор, а также перед тем, как поднять или перенести электроинструмент, необходимо убедиться, что включатель электроинструмента находится в положении «выключено». Перенос электроинструмента с пальцем на выключателе или подключение электроинструмента к сети питания при включенном выключателе может привести к несчастному случаю.

- д) Прежде, чем запустить электроинструмент в работу, необходимо устранить все ключи. Ключ, оставшийся во вращающейся части электроинструмента, может привести к травме пользователя.
- е) Не следует слишком сильно наклоняться. Необходимо всё время сохранять устойчивость и равновесие. Это позволяет лучше контролировать электроинструмент в неожиданных ситуациях.
- ж) Необходимо иметь соответствующую одежду. Не работать в свободной одежде или с бижутерией. Необходимо, чтобы волосы пользователя, его одежда и рукавицы находились вдали от движущихся элементов. Свободная одежда, бижутерия или длинные волосы могут быть зацеплены движущимися частями.
- з) Если оборудование приспособлено для присоединения внешнего пылеотвода (пылеулавливающего устройства) и поглотителя пыли, необходимо убедиться, что они присоединены и правильно применяются. Применение поглотителей пыли может уменьшить опасность, связанную с запыленностью.
- и) Не позволяйте, чтобы навыки, приобретенные благодаря частому пользованию электроинструментом, позволили Вам почувствовать себя самоуверенно и проигнорировать правила техники безопасности. Неосторожные действия могут вызвать серьезные травмы в течение доли секунды.



ПРЕДУПРЕЖДЕНИЕ! Общие предупреждения, касающиеся безопасности при эксплуатации инструмента.

Эксплуатация и уход за электроинструментом:

- а) Не допускать перегрузки электроинструмента. Применять электроинструмент с мощностью, соответствующей выполняемой работе. Надлежащий электроинструмент позволит лучше и безопаснее работать при нагрузке, на которую он рассчитан.
- б) Не следует применять электроинструмент, если его включатель не включается и не выключается. Каждый электроинструмент, который не может включаться или выключаться выключателем, представляет опасность и должен быть передан на ремонт.
- в) Необходимо отсоединить штепсельную вилку от источника питания электроинструмента и/или отсоединить аккумулятор прежде чем выполнить какую-либо установку, замену части или складирование устройства. Такие предупредительные меры безопасности снижают риск случайного запуска электроинструмента в работу.
- г) Неиспользуемый электроинструмент следует хранить в

недоступном для детей месте и не разрешать тем, кто незнаком с электроинструментом или настоящей инструкцией, пользоваться электроинструментом. Электроинструмент опасен в руках необученных пользователей.

- д) Следует выполнять технический уход за электроинструментом. Необходимо проверить соосность или отсутствие заедания (защемления) подвижных элементов, трещин частей, а также все другие факторы, могущие влиять на работу электроинструмента. В случае обнаружения неисправности, необходимо выполнить ремонт электроинструмента. Причиной многих несчастных случаев является непрофессиональный способ выполнения технического ухода.
- е) Режущий инструмент должен быть острым и чистым. Соответствующее содержание и уход за острыми кромками режущего инструмента снижает вероятность защемления и упрощает обслуживание.
- ж) Электроинструмент, оснащение, рабочие инструменты и т. п. необходимо применять в соответствии с настоящей инструкцией, учитывая рабочие условия и вид выполняемой работы. Применение электроинструмента не по назначению может привести к опасным ситуациям.
- з) При низкой температуре или после длительного перерыва в эксплуатации рекомендуется включение электроинструмента без нагрузки на несколько минут с целью распределения смазки в механизме привода.
- и) Для чистки электроинструмента применять мягкую, влажную (не мокрую) тряпку и мыло. Не применять бензина, растворителей и других средств, могущих повредить устройство.
- й) Электроинструмент следует хранить/ транспортировать, убедившись, что все его подвижные элементы заблокированы и защищены от разблокировки при помощи оригинальных элементов, предназначенных для этой цели.
- к) Электроинструмент должен храниться в сухом месте и быть защищенным от пыли и проникания влаги.
- л) Транспортировку электроинструмента необходимо выполнять в оригинальной упаковке, защищающей от механических повреждений.
- м) Держатели и хватательные поверхности следует содержать в чистоте, устраняя с них масло и смазку. Скользкие держатели и хватательные поверхности не позволяют безопасно держать инструмент и контролировать его в случае возникновения неожиданных ситуаций.



ПРЕДУПРЕЖДЕНИЕ! Общие предупреждения, касающиеся безопасности при эксплуатации инструмента.

Ремонт:

- а) Гарантийный и послегарантийный ремонт своих электроинструментов выполняет сервисная служба компании PROFIX, что гарантирует высочайшее качество ремонта и использование оригинальных запчастей.
- б) Если неотсоединяемый кабель электропитания поврежден, он должен быть заменен на предприятии-

изготовителе или специализированном ремонтном предприятии, либо квалифицированным лицом, что позволит избежать опасности.



ПРЕДУПРЕЖДЕНИЕ!

Во время работы с электроинструментом следует обязательно соблюдать основные меры безопасности при работе, чтобы избежать взрыва, пожара, поражения электрическим током, или механической травмы.



ПРЕДУПРЕЖДЕНИЕ! ЛЕНТОЧНАЯ ШЛИФОВАЛЬНАЯ МАШИНА, особые указания по безопасной эксплуатации электроинструмента:

- а) Ленточная шлифовальная машина, именуемая далее «шлифовальная машина», не является водостойким устройством, её следует использовать только для сухой шлифовки. Попадание воды вовнутрь электроинструмента может привести к поражению электрическим током.
- б) Электроинструмент следует держать за изолированные поверхности, предназначенные для этой цели во время работы, при которой может произойти контакт с проводами, находящимися под электрическим напряжением или со своим собственным кабелем электропитания. В результате соприкосновения с проводами, находящимися под электрическим напряжением, металлические элементы электроинструмента также могут оказаться под электрическим напряжением, что приведёт к поражению оператора.
- в) Во время шлифовки металла образуются искры. Необходимо следить за тем, чтобы возникающие во время работы искры не представляли опасности для кого-либо, а также устранить все находящиеся вблизи легковоспламеняющиеся материалы. В результате искрения, может также произойти самовозгорание шлифовальной пыли в пылесборном мешке (6). Повышенная опасность имеется также, если такая пыль содержит остатки лака, полиуретана или других химических материалов, а шлифованный материал розогрет после длительной обработки. Поэтому следует избегать перегрева шлифованного материала и шлифовальной машины, а также обязательно опорожнять пылесборный мешок в перерыве и после окончания работы.
- г) Необходимо поддерживать чистоту на рабочем месте. Смеси материалов представляют особую опасность. Пыль лёгких металлов может воспалиться или взорваться.
- д) Вдыхание шлифовальной пыли очень вредно для здоровья. Непосредственный физический контакт с пылью или попадание её в лёгкие может привести к аллергической реакции и/или заболеваниям дыхательных путей оператора шлифовальной машины или находящихся вблизи лиц. Некоторые материалы, напр. лакокрасочные покрытия, содержащие свинец, содержат химические вещества, могущие быть токсичными. Чтобы снизить воздействие этих химических соединений, необходимо обязательно обеспечить хорошую вентиляцию на рабочем месте и работать с применением проверенных безопасных

защитных средств, таких как противопыльные респираторы с поглотителем класса P2, специально разработанные для фильтрации микроскопических частиц. По возможности применять отсос пыли.

- е) При работе необходимо использовать защитные очки типа «огль», чтобы избежать попадания пыли в глаза.
- ж) Необходимо применять средства защиты слуха (противошумные наушники, заглушки-вкладыши).
- з) Необходимо работать в защитных рукавицах и ни в коем случае не прикасаться к движущейся шлифовальной ленте. Прикосновение грозит травмированием ладони.
- и) Во время работы необходимо надёжно удерживать электроинструмент двумя руками.
- й) Не использовать повреждённые, изношенные и сильно загрязнённые шлифовальные ленты. Повреждённые шлифовальные ленты могут сорваться, быть отброшены и привести к травмам.
- к) Шлифовальную машину следует включать и выключать только в тот момент, когда шлифовальная лента (10) не прикасается к обрабатываемому материалу, в противоположном случае электроинструмент может быть вырван с руки.

КОНСТРУКЦИЯ И НАЗНАЧЕНИЕ ШЛИФОВАЛЬНОЙ МАШИНЫ:

Ленточная шлифовальная машина является ручным электроинструментом, приводимым в движение однофазным коллекторным электродвигателем. Устройство имеет второй класс электрической защиты (двойная изоляция).

Шлифовальная машина предназначена для сухой шлифовки деревянных поверхностей, поверхностей древопроизводных материалов, металлических и пластмассовых поверхностей.

Не применять для обработки асбеста и материалов, содержащих графит.

Не применять для обработки гипса (швы гипсокартонных листов) и тому подобных материалов. Мелкая пыль, попадая вовнутрь машины, приводит к блокировке вентиляционного пространства, что ведёт к перегреву и сгоранию обмотки электродвигателя.

Запрещено применять электроинструмент для работ, требующих применения профессионального устройства. Какое-либо применение шлифовальной машины, несоответствующее указанному выше назначению, запрещено и ведёт к потере гарантии, а производитель не отвечает за возникший в результате этого ущерб.

Какие-либо модификации электроинструмента, осуществлённые пользователем, освобождают производителя от ответственности за повреждения и ущерб, причинённый пользователю и окружающей среде.

Правильная эксплуатация шлифовальной машины относится также к техобслуживанию, хранению, транспортировке и ремонту.

Ремонт шлифовальной машины может выполняться только в определённых производителем сервисных пунктах. Устройства с питанием от сети должны ремонтироваться исключительно лицами, имеющими соответствующий допуск.

Даже применяя устройство по назначению, нельзя полностью исключить определённых факторов остаточного риска. С учётом конструкции машины могут иметь место следующие угрозы:

- отбрасывание обрабатываемого предмета или его частей;
- ухудшение слуха в результате неприменения необходимых средств защиты слуха;
- вредное для здоровья выделение пыли при выполнении работ в закрытых помещениях.

СОСТАВ КОМПЛЕКТА:

- Шлифовальная машина - 1 шт.
- Пылесборный мешок - 1 шт.
- Шлифовальная лента - 1 шт.
- Угольные щётки - 2 шт.
- Инструкция по обслуживанию - 1 шт.
- Гарантийная карта - 1 шт.
- Кейс для транспортировки - 1 шт. (только для модели **TMT810K**)

ЭЛЕМЕНТЫ УСТРОЙСТВА:

Нумерация элементов устройства соответствует изображению электроинструмента, имеющемуся на страницах 2 и 3 Инструкции по эксплуатации:

Рис. А 1. Вспомогательная рукоятка

2. Ручка регулировки скорости ленты (только в модели **TMT810K**)
3. Включатель
4. Блокировка включателя
5. Основная рукоятка
6. Пылесборный мешок
7. Сопло выхода пыли
8. Внешние гнёзда угольных щёток
9. Ручка регулировки расположения ленты
10. Шлифовальная лента

Рис. В 11. Рычаг для натяжки шлифовальной ленты

12. Кабель электропитания

Рис. С 13. Ведущие ролики

ТЕХНИЧЕСКИЕ ПАРАМЕТРЫ:

МОДЕЛЬ	TMT810	TMT810K
Напряжение питания номинальное	230 В	
Частота питания номинальная	50 Гц	
Мощность номинальная	810 Вт	
Скорость движения ленты (м/мин)	380	200-380
Размер шлифовальной ленты	533x76 мм	
Класс оборудования	II/□	
Вес	3,2 кг	
Длина кабеля электропитания	3 м	
Уровень звукового давления (LpA)	96,4 дБ(A), ±3дБ(A)	
Уровень звуковой мощности (LwA)	104,4 дБ(A), ±3дБ(A)	
Уровень вибрации ah по стандарту IEC 62841-1 (погрешность измерения K=1,5 м/с ²)	ah=4,674 м/с ²	

Указанный уровень вибрации соответствует основным применениям электроинструмента. Если электроинструмент будет использован для других применений или с другими рабочими инструментами, а также, если не будет выполнен соответствующий

технический уход, уровень вибрации может отличаться от указанного. Указанные выше причины могут привести к усилению воздействия вибраций в течение всего времени работы.

Необходимо применять дополнительные меры безопасности с целью защиты оператора от воздействия вибрации, а именно: технический уход за электроинструментом и рабочими инструментами, обеспечение соответствующей температуры рук, определение очередности рабочих операций.

Заявленное общее значение вибрации и заявленные значения эмиссии шума были измерены в соответствии со стандартным методом испытаний и могут быть использованы для сравнения одного инструмента с другим.

Заявленные общие значения вибрации и заявленные значения эмиссии шума можно использовать в предварительной оценке подверженности опасности.

Предупреждения:

Вибрация и эмиссия шума во время практического использования электроинструмента могут отличаться от заявленных значений в зависимости от способа, которым инструменты используются, в особенности от типа обрабатываемого предмета.

Следует определить средства безопасности с целью защиты оператора, которые основываются на расчете уровня подверженности опасности в состоянии реального использования (учитывая все этапы операционного цикла, в ходе которых инструмент выключен и когда работает на холостом ходу, за исключением времени высвобождения).

ПРЕЖДЕ ЧЕМ ПРИСТУПИТЬ К РАБОТЕ:

1. Убедиться, что параметры источника питания соответствуют параметрам шлифовальной машины, указанным на её щитке.
2. Убедиться, что включатель (3) шлифовальной машины находится в положении «выключено».
3. При работе с удлинителем шнура электропитания необходимо убедиться, что параметры удлинителя, сечения проводов соответствуют параметрам шлифовальной машины. Рекомендуется применять максимально короткие удлинители электропитания. Удлинитель должен быть полностью размотан.

■ Установка пылесборного мешка (см. рис. А, стр. 2)

ВНИМАНИЕ: С целью защиты здоровья необходимо обязательно использовать пылесборный мешок.

1. Надеть пылесборный мешок (6) на сопло выхода пыли (7).
2. Надеть его надёжно на сопло, максимально глубоко, чтобы не выпал во время работы.

Удаление пылесборного мешка выполнять в противоположной последовательности. Чтобы получить максимальный эффект необходимо опорожнять пылесборный мешок, когда он заполнен примерно наполовину.

РАБОТА:

■ Включение / выключение

ВНИМАНИЕ: Шлифовальную машину необходимо включать и выключать только в тот момент, когда шлифовальная лента (10) не прикасается к обрабатываемому материалу.

1. Для включения шлифовальной машины необходимо нажать включатель (3) и удерживать в нажатом состоянии.
2. Чтобы зафиксировать включатель в положении «включено»

следует нажать блокировку включателя (4).

- Для выключения шлифовальной машины, следует отпустить включатель (3), а если он зафиксирован кнопкой блокировки (4), кратковременно нажать на него, а затем отпустить.

■ Регулировка скорости движения ленты (только в модели ТМТ810К)

Ручкой регулировки скорости ленты (2) можно установить требуемую скорость движения шлифовальной ленты. Это можно осуществлять также во время работы. Требуемая скорость движения ленты зависит от обрабатываемого материала и условий работы. Можно её определить методом практической пробы.

Рекомендуется работать с максимальной частотой вращения двигателя. Это позволяет оптимально охлаждать электродвигатель, что увеличивает срок его службы.

■ Шлифовка

Обеспечить надёжное размещение обрабатываемого предмета на стабильном основании или при помощи тисков.

Включить электроинструмент и дождаться, пока будет достигнута максимальная скорость. Затем легко прикоснуться шлифовальной машиной к поверхности обрабатываемого предмета.

Во время работы перемещать шлифовальную машину параллельно обрабатываемой поверхности, удерживая её обеими руками. Нажим на поверхность не может вызывать замедления перемещения ленты. Слишком большой нажим приведёт к повышенному износу шлифовальной ленты, перегрузке машины и неотвратимому повреждению электродвигателя.

Производительность при устраниении материала посредством шлифовки и качество обработки поверхности зависит прежде всего от вида используемой шлифовальной ленты и от выбранной скорости движения ленты. Чем больше скорость движения ленты, тем больше устранинного материала и тем точнее обработка поверхности.

Древесину необходимо обязательно шлифовать вдоль направления волокон, при шлифовке поперек слоёв можно получить нежелательный эффект.

Применённую для шлифовки древесины шлифовальную ленту не следует использовать для шлифовки других материалов.

ВНИМАНИЕ: Только находящаяся в технически безукоризненном состоянии шлифовальная лента обеспечивает хорошую производительность обработки и предотвращает повреждение электроинструмента.

■ Замена шлифовальной ленты

ВНИМАНИЕ! Перед снятием и установкой шлифовальной ленты, необходимо убедиться, выключена ли шлифовальная машина и отсоединена ли она от сети питания.

- Потянуть рычаг для натяжки шлифовальной ленты (11) наружу, чтобы разблокировать шлифовальную ленту (10) (см. рис. В, стр. 2).
- Снять изношенную шлифовальную ленту с ведущих роликов (13).
- Вставить новую шлифовальную ленту (10) на ведущие ролики (13), следя за тем, чтобы направление вращения шлифовальной ленты (стрелки на внешней стороне шлифовальной ленты) совпадало с направлением вращения шлифовальной машины (стрелки над задним ведущим роликом) (см. рис. С, стр. 3).

- Потянуть рычаг для натяжки шлифовальной ленты (11) назад, чтобы натянуть шлифовальную ленту.

■ Регулировка расположения шлифовальной ленты (см. рис. D, стр. 3),

Включить электроинструмент с малой скоростью вращения и провернуть правильное расположения шлифовальной ленты (10). Если край ленты выступает за край основания, или отходит от края основания больше, чем на 6 мм, следует при помощи ручки регулировки расположения ленты (9) выровнять расположение ленты.

ХРАНЕНИЕ И ТЕХНИЧЕСКИЙ УХОД:

Машина в принципе не требует специальных процедур по техническому уходу. Машину следует хранить в месте, недоступном для детей, содержать в чистоте, защищать от влаги и попадания пыли. Условия хранения должны исключать возможность механических повреждений и влияния атмосферных условий.

■ Чистка



ПРЕДУПРЕЖДЕНИЕ: Перед выполнением каких-либо работ с электроинструментом, необходимо убедиться, что он выключен и отсоединён от сети питания.

Для обеспечения безопасной и эффективной работы, корпус шлифовальной машины и вентиляционные щели должны быть свободными от пыли и загрязнений. Рекомендуется выполнять чистку машины после каждого применения.

Наружные пластиковые части могут быть очищены с помощью влажной тряпки и деликатного чистящего средства. Никогда не применять растворителей - они могут повредить пластмассовые элементы электроинструмента. Необходимо следить, чтобы вовнутрь электроинструмента не попала вода.

После работы рекомендуется выполнить продувку сжатым воздухом с низким давлением вентиляционных отверстий. Это предотвратит преждевременный износ подшипников и устранил пыль, блокирующую приток охлаждающего воздуха в электродвигатель.

ТИПИЧНЫЕ НЕИСПРАВНОСТИ И ИХ УСТРАНЕНИЕ:

Электроинструмент не включается или имеются перерывы в работе:

- проверить, правильно ли присоединён кабель электропитания (12), а также наличие напряжения в сетевой розетке;
- проверить состояние угольных щёток и, в случае необходимости, заменить их.

■ Замена угольных щёток

Шлифовальная машина оснащена внешними гнездами угольных щёток (8), позволяющими легко заменить щётки при помощи широкой плоской отвёртки, без необходимости разкручивания корпуса. После замены щёток, необходимо завинтить до упора колпачки (пробки), крепящие щётки. Необходимо регулярно контролировать состояние угольных щёток. Минимальная длина графита щётки составляет 6 мм. Работа со щётками, имеющими длину графита меньше 6 мм, может привести к повреждению коллектора ротора.

Щётки следует заменять парами. После замены щёток следует на 5 минут запустить электроинструмент в работу на холостом ходу.

В случае технических проблем просим связаться с сервисной

службой. Контакт с сервисом подан в гарантийной карте.

■ Транспортировка

Шлифовальную машину следует транспортировать и складировать в упаковке, защищающей от влаги, проникновения пыли и мелких объектов, особенно необходимо защитить вентиляционные отверстия. Мелкие элементы, попавшие вовнутрь корпуса, могут повредить двигатель.

ЗАЩИТА ОКРУЖАЮЩЕЙ СРЕДЫ:



ВНИМАНИЕ: Указанный символ означает запрет размещения использованных электроинструментов вместе с другими отходами (за это грозит наказание в виде штрафа). Опасные компоненты, имеющиеся в электрическом и электронном оборудовании, отрицательно влияют на окружающую среду и здоровье.

Домашнее хозяйство должно способствовать восстановлению и повторному использованию (рециклированию) использованного оборудования. В Польше и в Европе создаётся или уже существует система сбора использованного оборудования, предусматривающая, что все пункты продажи в/у оборудования обязаны принимать использованное оборудование. Кроме того, имеются пункты приёма в/у оборудования.

ПРОИЗВОДИТЕЛЬ:

ООО «ПРОФИКС»
ул. Марывьельска 34

03-228 Варшава, ПОЛЬША

Настоящее устройство соответствует польским и европейским стандартам, а также требованиям по технике безопасности.

ВНИМАНИЕ! Все работы по ремонту должны выполняться квалифицированным персоналом, с использованием оригинальных запасных частей.

ПИКТОГРАММЫ:

Описание знаков, имеющих на щитке и информационных наклейках на электроинструменте.



— «Перед подключением и началом работы необходимо прочитать инструкцию по эксплуатации»



— «Использовать средства защиты глаз»



— «Использовать средства защиты органов слуха»



— «Использовать средства защиты верхних дыхательных путей»



Политика компании PROFIX - это политика постоянного совершенствования своих изделий, поэтому компания сохраняет за собой право изменения спецификации изделия без предварительного уведомления. Изображения, имеющиеся в инструкции, являются примерными и могут незначительно отличаться от фактического вида приобретённого электроинструмента.


Настоящая инструкция по эксплуатации защищена авторскими правами. Запрещено её копирование и размножение без согласия ООО «ПРОФИКС».

RO**INSTRUCȚII DE FOLOSIRE****MAȘINĂ DE ȘLEFUIT CU BANDĂ: TMT810, TMT810K**

Traducere din instrucțiunea originală

**ÎNAINTE DE UTILIZARE, CITIȚI ACESTE INSTRUCȚIUNI.**

Păstrează instrucțiunile pentru o folosire viitoare.

**ATENȚIE!** Citește toate avertismentele referitoare la protecția muncii marcate cu simboluri  și toate indicațiile referitoare la utilizarea în siguranță.

Nerespectarea avertismentelor de mai jos, poate duce la accidente și la electrocutare, incendii și/sau la vătămări corporale.

Păstrează toate avertismentele și indicațiile referitoare la protecția muncii, pentru a le folosi în viitor.*În avertismentele de mai jos, termenul "unealtă electrică" înseamnă unealtă care este alimentată de la rețea (cu cablu de alimentare) sau unealtă electrică alimentată din baterie (fără cablu).***ATENȚIE!** Reguli generale de protecție a muncii.**Siguranța la locul de muncă:**

- La locul de muncă păstrează curățenie și bună iluminare. Zonele și bancurile de lucru aglomerate cheamă accidente.
- Nu utilizați unealta electrică în atmosferi explozive, formate din lichide inflamabile, gaze sau lichide. Unelata electrică produce scântei, care pot aprinde praful sau aburii.
- Țineți copiii departe de locurile în care unealta electrică este folosită. Distragerea atenției poate duce la pierderea atenției asupra unei electrice.

**ATENȚIE!** Reguli generale cu privire la utilizarea în siguranță a unelei.**Siguranța electrică:**

- Ștecherul unelei electrice trebuie să fie conforme cu priza. Este interzisă modificarea ștecherului. Este interzisă utilizarea prelungitoarelor în cazul uneltele electrice cu cablu de legare la pământ de protecție. Nemodificarea ștecherelor și a prizelor micșorează riscul de electrocutare.
- Evitați să atingeți suprafața de împământare sau conectările la masă, cum ar fi conducte, radiatoare, radiatoare de încălzire centrală și frigider. În cazul atingerii părților împământate, crește riscul de electrocutare.
- Nu expuneți sculele electrice în condiții de ploaie sau mediu umed. În caz de infiltrație cu apă, crește riscul de electrocutare.
- Nu abuzați de cablurile de conectare. Nu folosiți cablul de alimentare la mutarea, tragerea unelei sau tragerea ștecherului din priză. Păstrarea cablului de alimentare departe de surse de căldură, ulei, mυχii ascuțiți sau părți în mișcare. Cablurile deteriorate sau încurcate cresc riscul de electrocutare.
- În cazul în care unealta electrică este folosită în aer liber, conectarea trebuie efectuată cu ajutorul prelungitoarelor destinate funcționării în aer liber. Folosirea prelungitorului destinat funcționării în aer liber, micșorează riscul de electrocutare.
- Vă recomandăm să racordăm aparatul la o rețea electrică dotată cu un comutator cu curent diferențial (RCD) cu amperaj de acționare de 30mA sau mai mic.
- În cazul în care unealta electrică este folosită în mediu umed, este inevitabilă, utilizarea unui dispozitiv de protecție împotriva tensiunii de alimentare, cum ar fi aplicarea unui dispozitiv de curent rezidual (RCD). Folosirea RCD micșorează riscul

de electrocutare.

**ATENȚIE!** Avertismente generale cu privire la siguranța folosirii unelei.**Siguranță personală:**

- Acest echipament nu este destinat utilizării de către persoane (inclusiv copii) cu abilități fizice reduse, senzoriale sau mentale, sau de persoane care nu au experiență sau nu cunosc echipamentul, cu excepția cazului în care are loc sub supraveghere sau în conformitate cu instrucția de folosire a echipamentului, de către o persoană responsabilă pentru siguranța lor.
- Trebuie să fii atent, să aveți grijă ce faceți și să păstrați bun simț în timpul folosirii unelei electrice. Nu folosiți unealta electrică, când sunteți obosiți sau sub influența drogurilor, alcoolului sau medicamentelor. Un moment de neatenție în timpul lucrului cu unelata electrică poate cauza vătămări personale grave.
- Folosiți echipament de protecție. Purtați întotdeauna ochelari de protecție. Folosind echipamentul de protecție cum ar fi masca de praf, pantofi cu anti-alunecare, căști sau protecție auditivă, micșorează riscul de vătămare.
- Evitați pornirea accidentală. Înainte de conectarea la sursa de alimentare și/sau înainte de conectarea bateriei și înainte de ridicarea sau mutarea unelei asigurativă că comutatorul unelei electrice este în poziția oprită. Mutarea unelei electrice cu degetul pe comutator sau conectarea unelei electrice la rețeaua de alimentare în poziția pornită poate provoca un accident.
- Înainte de pornirea unelei electrice îndepărtați toate uneltele din apropiere. Lăsarea de unelte pe părțile de mișcare ale unelei electrice poate duce la vătămări corporale.
- Nu vă aplecați prea mult. Trebuie să stați sigur și să mențineți echilibrul. Acest lucru va permite un control mai bun asupra unelei electrice în situații neașteptate.
- Îmbrăcați-vă corespunzător. Nu purtați haine largi sau bijuterii. Țineți părul strâns, hainele și mânușile departe de părțile în mișcare. Hainele largi, bijuteria sau prul lung se pot agăța de părțile în mișcare.
- Dacă echipamentul este potrivit pentru conectarea extractorului de praf extern și a colectorului de praf, asigurativă că acestea sunt conectate și folosite corect. Folosirea colectorului de praf poate reduce riscul de pericole legate de praf.
- Nu permiteți ca abilitățile obținute prin utilizarea frecventă a sculei electrice să vă facă să vă simțiți prea încrezători în sine și să ignorați regulile de siguranță. Acțiunile necorespunzătoare pot provoca vătămări grave într-o fracțiune de secundă.

**ATENȚIE!** Avertismente generale cu privire la folosirea în siguranță a unelei.**Utilizarea și îngrijirea unelei electrice:**

- Nu supraîncărcați unealta electrică. Utilizați o unealtă electrică în funcție de puterea necesară muncii efectuate. Unelata electrică corectă va permite o funcționare mai bună și este sigură în cazul însărcinării, pentru care a fost proiectată.
- Este interzisă utilizarea unelei electrice dacă comutatorul nu pornește și nu oprește unealta. Fiecare unealtă electrică care nu pornește sau nu se oprește este periculoasă și trebuie reparată.

- c) **Deconectați ștecherul de la sursa de alimentare a unelei electrice și/sau deconectați bateria înainte de orice setare, schimbare de părți sau depozitare. Aceste mijloace de protecție reduc riscul unei porniri accidentale a unelei electrice.**
- d) **Unealta electrică nefolosită trebuie depozitată departe de copii și nu trebuie împrumutată persoanelor care nu cunosc unealta electrică sau care nu au citit această instrucție de folosire a unelei electrice. Unealta electrică este periculoasă când este folosită de o persoană fără experiență.**
- e) **Unealta electrică trebuie bine întreținută. Trebuie controlată alinierea sau bruierea pieselor în mișcare, ruperea pieselor și alți factori care pot avea influență la funcționarea unelei electrice. Dacă găsim o deteriorare, unealta electrică înaintea folosirii trebuie reparată. Cauza multor accidente este întreținerea necorespunzătoare a unelei electrice.**
- f) **Unelte de tăiere trebuie să fie ascuțite și curate. Înțținerea părților ascuțite ale uneltelor de tăiere reduce riscul de blocare în material și ușurează folosirea.**
- g) **Unealta electrică, echipamentul, unelte de lucru, etc. trebuie folosite în conformitate cu această instrucție, ținând cont de tipul și condițiile de lucru. Utilizarea unelei electrice în alt mod decât este destinația, poate duce la situații periculoase.**
- h) **La temperaturi scăzute, sau după o perioadă îndelungată de nefolosire, este recomandată pornirea unelei electrice fără sarcină pentru câteva minute pentru a distribui corect unsoarea în mecanismul de transmisie.**
- i) **Pentru curățirea unelei electrice folosiți o cârpă moale, umedă (nu udă) și săpun. Nu folosiți benzină, diluanți sau alte mijloace care pot deteriora echipamentul.**
- j) **Unealta electrică trebuie depozitată/transportată numai după ce ne-am asigurat că toate elementele în mișcare sunt blocate și asigurate cu ajutorul elementelor originale destinate blocării.**
- k) **Unealta electrică trebuie păstrată într-un loc uscat, asigurat împotriva prafului și a umezelii.**
- l) **Transportul unelei electrice trebuie să aibă loc în ambalajul original, asigurat împotriva deteriorărilor mecanice.**
- m) **Mănerile și suprafețele de prindere trebuie să fie menținute curate fără ulei și grăsime. Mănerile și suprafețele de prindere aluneacoase nu permit ținerea în siguranță și controlul sculei în situații neașteptate.**



ATENȚIE! Avertismente generale cu privire la folosirea în siguranță a unelei.

Repararea:

- a) **Reparații în garanție și postgaranție ale uneltelor dumneavoastră electrice sunt efectuate de Service-ul PROFIX, ceea ce garantează calitatea cea mai ridicată a reparațiilor și utilizarea de piese originale de schimb.**
- b) **Dacă cablul de alimentare este deteriorat, trebuie înlocuit cu unul nou la producător sau într-o unitate de reparații specială sau de către o persoană calificată, pentru a evita pericolul.**



ATENȚIE!

În timpul utilizării unelei electrice se recomandă respectarea regulilor de bază ale siguranței muncii, pentru a evita incendiile, electrocutarea sau vătămări mecanice.



ATENȚIE! MAȘINĂ DE ȘLEFUIT CU BANDĂ, indicații detaliate referitoare la utilizarea în condiții de siguranță a aparatului:

- a) **Mașina de șlefuit cu bandă, numită mai departe «mașina de șlefuit», nu este un aparat rezistent la apă, trebuie folosit doar pentru șlefuirea uscată. Străpungerea apei în interiorul aparatului electric poate provoca electrocutare.**
- b) **Aparatul electric trebuie ținut de suprafețele special proiectate în acest scop atunci când este folosit, în cazul în care aparatul electric poate atinge cablurile sub tensiune sau propriul cablu de alimentare. Atingerea „cablurilor sub tensiune” poate face ca piesele metalice ale aparatului electric să fie „sub tensiune” și prin acest fapt provoacă electrocutarea operatorului.**
- c) **Atunci când se șlefuieste metal apar scântei. Trebuie să aveți grijă ca scânteele care apar să nu constituie pericol pentru nimeni și să îndepărtați toate materialele inflamabile din apropiere. Datorită scânteiilor praful șlefuit din sacul pentru praf (6) se pot autoaprinde. Pericolul este mai mare în cazul în care acest praf este amestecat cu resturile de lac, poliuretan sau alte substanțe chimice iar materialul șlefuit este încălzit după prelucrarea îndelungată. Datorită acestui lucru trebuie să evitați supraîncălzirea materialului șlefuit și a mașinii de șlefuit și să goliți sacul pentru praf în pauze și după ce terminați operaerea.**
- d) **Păstrați curățenia la locul de muncă. Amestecurile de materiale sunt în special periculoase. Pilitura de metal ușor se poate aprinde sau poate exploda.**
- e) **Inhalarea prafului șlefuit dăunează sănătății. Contactul fizic direct cu praful și pătrunderea acestora în plămâni poate provoca reacții alergice și/sau boli ale sistemului respirator al operatorului sau ale persoanelor din apropiere. Unele materiale, de ex. suprafețele de vopsea cu adaos de plumb, conțin substanțe chimice care pot fi toxice. Pentru a diminua reacția acestor substanțe chimice trebuie să asigurați ventilația corespunzătoare a locului de muncă și să lucrați cu mijloace de protecție verificate de genul mască antipraf cu filtru clasa P2, care au fost special proiectate pentru filtrarea particulelor microscopice. În cazul în care este posibil folosiți aspirarea de praf.**
- f) **În timp ce lucrați cu aparatul folosiți ochelari de protecție pentru a evita prăfuirea ochilor.**
- g) **Folosiți mijloace de protecție auditivă (căști de protecție, dopuri).**
- h) **Trebuie să folosiți mănuși de protecție și nu atingeți niciodată banda de șlefuire în mișcare. Acest lucru poate răni mâna.**
- i) **Atunci când lucrați cu aparatul trebuie să-l țineți ferm cu ambele mâini.**
- j) **Nu folosiți bande abrazive deteriorate, folosite sau puternic contaminate. Benzile abrazive deteriorate se pot rupe, pot fi aruncate și să rănească.**
- k) **Porniți și opriți aparatul de șlefuit doar atunci când banda abrazivă (10) nu atinge materialul prelucrat, în caz contrar aparatul electric vi se poate smulge din mâini.**

STRUCTURA ȘI DESTINAREA APARATULUI DE ȘLEFUIT:

Mașina de șlefuit cu bandă este un aparat electric manual acționat cu un motor monofazic cu comutator. Aparat din clasa a doua de echipament (izolare dublă).

Mașina de șlefuit este destinată pentru șlefuirea suprafețelor de lemn, din fabricate din lemn, metalice și de plastic.

Nu folosiți pentru azbest și materialele care conțin grafit.

Nu folosiți pentru a șlefui gipsul (îmbinare plăcilor de regips) și materialele similare. Praful fin care pătrunde în interiorul aparatului duce la blocarea suprafețelor de ventilație, ceea ce provoacă supraîncălzirea și arderea motorului.

Nu folosiți aparatul pentru a efectua lucrări care necesită un aparat profesional. Fiecare utilizare a mașinii de șlefuit care nu corespunde indicațiilor de mai sus este interzisă și duce la pierderea garanției și la încetarea responsabilității producătorului pentru pagubele apărute datorită acestui fapt.

Toate modificările aparatului efectuate de utilizator privează producătorul de responsabilitate pentru deteriorările și pagubele provocate utilizatorului și mediului.

Utilizarea corespunzătoare a unei electrice se referă de asemenea și la întreținerea, depozitarea, transportul și reparațiile aparatului.

Unealta electrică poate fi reparată doar în punctele de service menționate de producător. Aparatele alimentate la rețea trebuie să fie reparate doar de persoane calificate în acest sens.

În ciuda utilizării în conformitate cu destinația, nu pot fi eliminați în totalitate anumiți factori de risc. Datorită construcției și proiectării, putem întâlni următoarele pericole:

- reculul obiectului prelucrat sau al unei părți din obiectul prelucrat;
- deteriorarea auzului în cazul în care nu s-a folosit echipamentul de protecție auditivă necesar;
- emisiile de praf dăunătoare pentru sănătate în cazul efectuării de lucrări în încăperi închise.

SET:

- Mașina de șlefuit - 1buc.
- Sac pentru praf - 1buc.
- Bandă abrazivă - 1buc.
- Perii de cărbune - 2buc.
- Instrucțiuni de utilizare - 1buc.
- Carte de garanție - 1buc.
- Valiză transport - 1buc. (numai pentru modelul TMT810K)

ELEMENTE APARAT:

Numerotarea elementelor aparatului se referă la reprezentarea grafică prezentată pe paginile 2-3 din instrucțiunea de utilizare:

Des.A 1. Mâner auxiliar

2. Buton reglare viteză (numai pentru modelul TMT810K)

3. Comutator

4. Blocare comutator

5. Mâner

6. Sac pentru praf

7. Duză ieșire praf

8. Sloturi exterioare prize cărbune

9. Buton reglare poziție bandă

10. Bandă abrazivă

Des.B 11. Pârghie întindere bandă

12. Cablu alimentare

Des.C 13. Role ghidare

SPECIFICAȚII:

MODEL	TMT810	TMT810K
Tensiune nominală	230 V	
Frecvență nominală	50 Hz	
Putere nominală	810 W	
Viteză deplasare bandă (m/min)	380	200-380
Dimensiune bandă abrazivă	533x76 mm	
Clasa echipamentului	II/□	
Greutate	3,2 kg	
Lungimea cablului de alimentare	3 m	
Nivelul presiunii acustice (LpA)	96,4 dB(A), ±3dB(A)	
Nivelul puterii acustice (LwA)	104,4 dB(A), ±3dB(A)	
Nivelul de vibrație ah conform normie IEC 62841-1 (toleranță de măsurare K=1,5 m/s ²)	ah=4,674 m/s ²	

Nivelul menționat de vibrații este reprezentativ pentru utilizarea aparatului electric. Dacă aparatul electric va fi utilizat pentru alte scopuri sau cu alte instrumente de lucru precum și dacă nu va fi întreținut corespunzător, nivelul de vibrații ar putea diferi de cel indicat. Motivele indicate mai sus pot duce la sporirea nivelului de expunere la vibrații pe toată durata timpului de funcționare.

Trebuie să introduceți mijloace adiționale de siguranță, care au scopul de a proteja operatorul de efectele de expunere la vibrații, de ex.: întreținere aparat electric și instrumente de lucru, asigurarea temperaturii corespunzătoare a mâinilor, stabilirea ordinii operațiilor de muncă.

Valoarea totală declarată a vibrațiilor și valorile declarate ale emisiei de zgomot au fost măsurate în conformitate cu metoda standard de testare și pot fi utilizate pentru a compara un dispozitiv cu altul.

Valoarea totală declarată a vibrațiilor și valorile declarate ale emisiei de zgomot pot fi utilizate în evaluarea inițială a expunerii.

Avertismente:

Vibrațiile și emisiile de zgomot în timpul utilizării efective a sculei electrice pot să difere de valorile declarate în funcție de modul în care sunt utilizate uneltele, în special de tipul piesei prelucrate.

Trebuie determinate măsuri de siguranță pentru protejarea operatorului, care se bazează pe estimarea expunerii în stare reală de utilizare (luând în considerare toate părțile ciclului de operare, cum ar fi timpul în care instrumentul este oprit și când funcționează în ralanti, cu excepția timpului de declanșare).

PREGĂTIRE PENTRU LUCRU:

1. Asigurați-vă că sursa de alimentare are parametrii care corespund parametrilor mașinii de șlefuit indicați pe plăcuța nominală.
2. Verificați dacă butonul comutator (3) al mașinii de șlefuit este la poziția oprit.
3. În cazul în care folosiți un prelungitor trebuie să vă asigurați că parametrii prelungitorului, secțiunile cablurilor, corespund parametrilor mașinii de șlefuit. Se recomandă utilizarea unor prelungitoare cât mai scurte. Prelungitorul trebuie să fie desfășurat în întregime.

■ Montare sac pentru praf (vezi: des.A, pag. 2)

ATENȚIE: Din motive de sănătate în timpul operării trebuie să folosiți mereu sacul pentru praf.

1. Așezați sacul pentru praf (6) pe duza de ieșire praf (7).
2. Așezați-l ferm pe duză, cât mai adânc cu putință, ca să nu cadă în timpul funcționării.

Demontarea sacului pentru praf are loc în ordine inversă. Pentru a obține cele mai bune rezultate trebuie să goliți sacul pentru praf atunci când este pe jumătate plin.

OPERARE:

■ Pornire/oprire

ATENȚIE: Porniți și opriți mașina de șlefuit doar atunci când banda abrazivă (10) nu atinge materialul prelucrat.

1. Pentru a porni mașina de șlefuit trebuie să apăsați comutatorul (3) și să-l țineți apăsat.
2. Pentru a bloca comutatorul la poziția pornită trebuie să apăsați blocada comutatorului (4).
3. Pentru a opri mașina de șlefuit, trebuie să dați drumul la comutator (3), sau atunci când est imobilizat de blocada comutatorului (4), să-l apăsați ușor și apoi să-i dați drumul.

■ Setarea vitezei de deplasare a benzii (numai pentru modelul TMT810K)

Cu butonul de reglare a vitezei (2) puteți seta viteza dorită de deplasare a benzii. Puteți face acest lucru și în timpul operării. Viteza necesară de deplasare a benzii depinde de materialul prelucrat și de condițiile de muncă. Pentru a o stabili efectuați o probă practică.

Se recomandă operarea la turația maximă a motorului. Acest lucru permite răcirea optimă a motorului și prelungeste durata de viață a acestuia.

■ Șlefuire

Imobilizați obiectul prelucrat pe o suprafață stabilă sau cu mânghina.

Porniți aparatul și așteptați până ce atinge viteza maximă. Apoi așezați ușor mașina de șlefuit pe suprafața obiectului prelucrat.

În timpul operării mașina de șlefuit trebuie ghidată paralel cu suprafața prelucrată și trebuie ținută cu ambele mâini. Apăsarea asupra suprafeței nu trebuie să încetinească deplasarea benzii. Apăsarea prea puternică duce la consumul ridicat de bandă abrazivă, suprasolicitarea mașinii și deteriorarea iremediabilă a bobinajului motorului.

Eficacitatea de îndepărtare a materialului și calitatea de prelucrare a suprafeței depind în primul rând de tipul de bandă abrazivă selectată și de viteza selectată de deplasare a benzii. Cu cât viteza benzii este mai mare cu atât mai mare este cantitatea de material îndepărtat și cu atât mai precisă este prelucrarea suprafeței.

Lemnul trebuie șlefuit mereu în direcția inelelor – în cazul în care șlefuiți de-a latul inelelor puteți obține efecte nedorite.

Banda abrazivă pentru prelucrarea metalului nu poate fi folosită pentru a prelucra alte materiale.

ATENȚIE: Doar benzile abrazive care sunt într-o stare tehnică ideală vă permit prelucrarea eficientă și previn deteriorarea aparatului electric.

■ Schimbare bandă abrazivă

ATENȚIE: Înainte de a demonta și de a așeza banda trebuie să vă asigurați că aparatul este oprit și decuplat de la sursa de alimentare.

1. Trageți pârghia de întindere bandă (11) în exterior pentru a debloca banda abrazivă (10) (vezi: des. B, pag. 2).
2. Scoateți banda abrazivă uzată de pe rolete de ghidare (13).
3. Introduceți banda nouă (10) pe rolete de ghidare (13) și aveți grijă ca

direcția de rotire a benzii abrazive (săgețile pe partea interioară a benzii abrazive) să corespundă cu direcția de rotire a mașinii de șlefuit (săgeata deasupra roții de ghidare spate) (vezi: des. C, pag. 3).

4. Trageți în spate pârghia de întindere (11) a benzii, pentru a întinde banda abrazivă.

■ Regulare traiectoria bandă (vezi: des. D, pag. 3)

Porniți aparatul la turație mică și verificați dacă banda abrazivă (10) este așezată corespunzător. Dacă marginile benzii depășesc marginea suportului sau nu ajung la marginea suportului cu mai mult de 6 mm, folosiți butonul de reglare amplasare bandă (9) pentru a nivela traiectoria benzii.

DEPOZITARE ȘI ÎNTREȚINERE:

Aparatul, în principiu, nu necesită operațiuni speciale de întreținere. Mașina de șlefuit trebuie păstrată departe de accesul copiilor, să fie curată în permanență, protejată de umezeală și de prăfuire. Condițiile de depozitare trebuie să excludă posibilitatea de deteriorare mecanică și influența condițiilor atmosferice.

■ Curățare



ATENȚIE! Înainte de a efectua operațiile de ajustare, operare tehnică sau de întreținere, scoateți ștecherul unei lei din priză de rețea.

Pentru a asigura funcționarea în condiții de siguranță și eficientă, carcasa mașinii de șlefuit și orificiile de ventilare trebuie să fie, în măsura posibilităților, libere de praf și de impurități. Se recomandă curățarea aparatului imediat după fiecare utilizare.

Mașina de șlefuit trebuie ștersă cu o pânză curată și umezită cu o cantitate mică de săpun sau trebuie suflată cu aer comprimat cu presiune mică.

Nu folosiți detergenți sau diluanți; aceste substanțe pot deteriora piesele aparatului efectuate din plastic.

Aveți grijă ca în aparat să nu pătrundă apa.

DEFECȚIUNI TIPICE ȘI SOLUȚIONAREA ACESTORA:

Unealta electrică nu pornește sau încetează lucrul:

- verificați dacă cablul de alimentare (12) este montat corect și dacă priză este alimentată cu curent electric;
- verificați starea perilor de cărbune și schimbați-le în cazul în care este necesar.

■ Schimbarea perilor de cărbune

Mașina de șlefuit este dotată cu sloturi externe pentru perile de cărbune (8), care permit schimbarea cu ușurință a perilor cu o șurubelniță plată, fără să fie necesar să desfiletați carcasa. După schimbare dopurile de fixare a perilor trebuie să fie strânse la maxim. Starea perilor trebuie controlată constant. Lungimea minimă a grafitului periei este de 6 mm. Operarea cu perii mai scurte de 6 mm poate deteriora comutatorul rotorului.

Înlocuirea perilor trebuie efectuată în perechi. După schimbarea perilor trebuie să porniți aparatul timp de 5 minute în gol.

În cazul în care apar probleme tehnice vă rugăm să contactați un service autorizat.

TRANSPORT:

Mașina de șlefuit trebuie transportată și depozitată în cutia de transport, care protejează împotriva umezelii, infiltrării de praf și a obiectelor mici, mai ales trebuie să asigure orificiile de ventilare. Elementele mici, care

infiltrază interiorul carcasei, pot distruge motorul.

PROTECȚIA MEDIULUI ÎNCONJURĂTOR:



ATENȚIE: Simbolul prezentat înseamnă interdicția de a amplasa aparatul uzat împreună cu alte deșeuri (sub amenințarea unei amenzi). Componentele periculoase aflate în aparatura electrică și electronică influențează negativ mediul natural și sănătatea oamenilor.

Fiecare gospodărie casnică trebuie să contribuie la redobândirea și refolosirea (recykling) aparaturii uzate. Atât în Polonia, cât și în Europa se organizează sau deja există sistemul de culegere a aparaturii uzate, în cadrul căruia toate punctele de vânzare a respectivei aparaturi sunt obligate să preia aparatura uzată. În plus, există centrele de colectare a acestuia tip de aparatură.

PRODUCĂTOR:

PROFIX Sp. z o.o.,
str. Marywilka 34,
03-228 Varșovia, POLONIA

Prezentul utilaj este făcut conform normelor naționale și europene, precum și indicilor de siguranță.

ATENȚIE: Toate reparațiile trebuie efectuate de un personal calificat, folosindu-se piesele de schimb originale.

PICTOGRAME:

Explicațiile imaginilor de pe tabelul nominal și de pe etichetele informative.



– «Înainte de cuplare și de a începe operarea trebuie să citiți prezenta instrucțiune»



– «Folosiți întotdeauna ochelari de protecție»



– «Folosiți mijloace de protecție auditivă»



– «Întotdeauna utilizează masca de praf»



Politica firmei PROFIX este aceea de perfecționare continuă a produselor sale și de aceea firma își rezervă dreptul de modificare a specificației produsului fără înștiințarea anterioară. Imaginile indicate în instrucțiunile de utilizare sunt doar exemple și se pot diferi puțin de aspectul real al dispozitivului achiziționat.

Prezenta instrucțiune este protejată prin dreptul de autor. Copierea/inmulțirea fără acordul în scris al firmei PROFIX Sp. z.o.o. este interzisă.




LIETOŠANAS INSTRUKCIJA LENTAS SLĪPMAŠĪNA: TMT810, TMT810K

Oriģinālās instrukcijas tulkojums



PIRMS DARBA SĀKUMA NEPIECIEŠAMS IEPAZĪTIES AR ŠO INSTRUKCIJU.

Saglabā instrukciju vārbutēvai turpmākai lietošanai.

BRĪDINĀJUMS! Nepieciešams izlasīt visus brīdinājumus apzīmētus ar simboliem , kuri attiecas uz lietošanas drošību un visus lietošanas drošības norādījumus.



Neievērojot zemāk uzrādītos drošības brīdinājumus un norādījumus attiecībā uz drošību var būt par elektriskās strāvas triecienu, ugunsgrēku un/vai nopietnu traumai iemesls.

Ievērot visus brīdinājumus un norādījumus attiecībā uz drošību, lai tos turpmāk varētu izmantot.

Zemāk uzrādītos brīdinājumus „elektroinstruments” nozīmē elektroinstrumentu, kurš tiek barots no elektriskā tīkla (ar barošanas vadu) vai elektroinstruments barots no akumulatora (bezvadu).



BRĪDINĀJUMS! Vispārējie instrumenta drošas lietošanu norādījumi.

Darba vietas drošība:

- Darba vietā nepieciešams uzturēt kārtību un labu apgaismojumu.** Nekārtība un slikts apgaismojums ir negadījumu iemesls.
- Nedrīkst lietot elektroinstrumentu sprāgstošā, viegli uzliesmojošā, gāzu putekļainā vidē.** Elektroinstrumenta darbības laikā rodas dzirksteles, no kurām var aizdegties putekļi un tvaiki.
- Vietā, kur tiek lietoti elektroinstrumenti nevar atrasties bērni un novērotāji.** Novērsot uzmanību var zaudēt kontroli par elektroinstrumentu.



BRĪDINĀJUMS! Vispārējie instrumenta drošas lietošanu norādījumi.

Elektriskā drošība:

- Elektroinstrumenta kontaktdakšīnām jābūt pielāgotām pie kontaktlīdždām.** Nekad nekādā gadījumā nedrīkst mainīt kontaktdakšīņu. Nedrīkst lietot nekādas pagarinātājus gadījumā, ja elektroinstruments ir apgādāts ar vadu ar aizsardzības iezemējuma dzislu. Ja netiek darītas kontaktdakšīņu un kontaktlīdžu izmaiņas, tas samazina elektriskā triecienu risku.
- Nepieciešams izvairīties no iezemētām virsmām vai savienotām ar masu, kā piemēram caurules, sildītāji, centrālāpkaures radiatoru un dziesinātāji.** Gadījumā, ja netiek kontakts ar iezemētām vai ar masu savienotām daļām pieaug elektriskās strāvas triecienu risks.
- Nedrīkst pakļaut elektroinstrumentus uz lietus vai mitruma iedarbību.** Gadījumā, ja elektroinstrumentā iekļūst ūdens pieaug elektriskās strāvas triecienu risks.
- Nedrīkst pārslogot savienojuma vadus.** Nekad nedrīkst lietot savienojuma vadu elektroinstrumenta pārnēsāšanai, vilkšanai vai izvilkt kontaktdakšīņu no kontaktlīdždas aiz vada. Nepieciešams turēt savienojuma vadu tālu no siltuma avotiem, eļļainām, asām šķautnēm vai kustīgām daļām. Būjāti vai sapīti savienojuma vadi palielina elektriskās strāvas triecienu risku.
- Gadījumā, ja elektroinstruments tiek lietots ārpusē, savienojuma vadus nepieciešams pagarināt ar pagarinātājiem, kuri ir piemēroti darbam ārpusē.** Lietojot pagarinātājus piemērotus darbam ārpusē samazinās elektriskās strāvas triecienu risks.
- Ieteicams ierīci pievienot pie elektriskā tīkla, kurš ir aprīkots ar**

RCD slēdzi ar 30mA vai mazāku izslēgšanas strāvu.

- Gadījumā, ja ir nepieciešamība lietot elektroinstrumentu mitrā vidē, par sprieguma aizsardzību nepieciešams lietot strāvas starpības ierīci (RCD).** Lietojot RCD samazinās elektriskās strāvas triecienu risks.



BRĪDINĀJUMS! Vispārējie instrumenta drošas lietošanu norādījumi.

Individuālā drošība:

- Šī ierīce nav pamērota lietot cilvēkiem (tai skaitā bērniem) ar ierobežotām fiziskām, jūtības un psihiskām spējām, vai cilvēkiem bez ierīces darbības pieredzes vai zināšanām, izņemot, ja tas notiek uzraudzībā vai saskaņā ar ierīces lietošanas instrukciju, ar kuru ir iepazinūšās par drošību atbildīgas personas.**
- Elektroinstrumenta lietošanas laikā nepieciešams būt tālredzīgiem, novērot kas notiek un saglabāt skaidru saprātu.** Nedrīkst lietot elektroinstrumentu noguruma laikā vai narkotisku vielu, alkohola vai zāļu iedarbībā. Neuzmanības mirklis strādājot ar elektroinstrumentu var radīt nopietnas ķermeņa traumas.
- Nepieciešams lietot individuālos aizsardzības līdzekļus. Vienmēr nepieciešams lietot aizsargbrilles.** Lietojot attiecīgos apstākļos aizsardzības līdzekļus, tādas kā putekļu maskas, neslidošus apavus, ķiveres vai dzirdes aizsardzības līdzekļus, samazināsies individuālās traumas.
- Nepieciešams izvairīties no neparedzētām kustībām.** Pirms pieslēgšanas pie barošanas avota un/vai pirms akumulatora pieslēgšanas kā arī pirms tam, kad paceļam vai pārceļam ierīci nepieciešams pārliecināties, ka elektroinstrumenta slēdzis atrodas izslēgšanas stāvoklī. Pārnēsāt elektroinstrumentu ar pirkstu uz slēdža vai barošanas tīklā pieslēgtu elektroinstrumentu pie ieslēgta slēdža var būt par negadījuma iemeslu.
- Pirms elektroinstrumenta palaišanas nepieciešams novākt visas atslēgas.** Atslēga atstāta rotējošā elektroinstrumenta tuvumā var radīt individuālas traumas.
- Nedrīkst pārlieku tālu izliecties.** Visu laiku nepieciešams stāvēt stabili un saglabāt līdzsvaru. Tas dos iespēju neparedzētās situācijās labāk kontrolēt elektroinstrumentu.
- Nepieciešams attiecīgi ģērbties.** Nedrīkst nēsāt vaļīgas apģērbus vai rotas lietas. Nepieciešams turēt savus matus, apģērbu un cimdus tālu no kustīgām daļām. Vaļīgs apģērbs, rotas lietas vai gari mati var tikt aizķerti ar kustīgām daļām.
- Ja ierīce ir pielāgota ārējai putekļu sūkšanai un putekļu uzsūkšanai, nepieciešams pārliecināties, ka tie ir pieslēgti un pareizi lietoti.** Lietojot putekļu sūcēju var samazināt putekļu ieelpošanas bīstamību.
- Nedrīkst pieļaut, lai iemaņas iegūtas bieži lietojot elektroinstrumentu samazinātu mūsu modrību un drošības noteikumu ignorēšanu.** Bezrūpīga rīcība var izraisīt nopietnus ievainojumus sekundes laikā.



BRĪDINĀJUMS! Vispārējie instrumenta drošas lietošanu norādījumi.

Lietošana un gādība par elektroinstrumentu:

- Nedrīkst pārslogot elektroinstrumentu. Nepieciešams piemērot elektroinstrumentu veiktajam darbam.** Pareizs

elektroinstruments nodrošinās labāku un drošāku darbu pie slodzes, kādam tas tika projektēts.

- b) **Nedrīkst lietot elektroinstrumentu, ja slēdzis to neieslēdz un neizslēdz.** *Katrs elektroinstruments, kuru nevar ieslēgt vai izslēgt ar slēdzi ir bīstams un to nepieciešams labot.*
- c) **Nepieciešams atvienot elektroinstrumenta kontaktdakšīņu no barošanas avota un/vai atslēgt akumulatoru pirms tiek veikta jebkāda uzstādīšana, detaļu maiņa vai instrumenta glabāšana.** *Tādas drošības darbības reducē neparedzētu elektroinstrumenta palaišanu.*
- d) **Nelietotu elektroinstrumentu nepieciešams glabāt bērniem nepieejamās vietās un nedrīkst atļaut personām, kuras nav iepazinušās ar elektroinstrumentu vai šo lietošanas instrukciju lietot elektroinstrumentu.** *Elektroinstrumenti ir bīstami neapmācītu lietotāju rokās.*
- e) **Elektroinstrumentu nepieciešams konservēt.** *Nepieciešams pārbaudīt asu sakrītību vai kustīgo daļu iekļīšanās, detaļu plīsumus un visus apstākļus, kuri varētu ietekmēt elektroinstrumenta darbu. Ja tiek konstatēts bojājums, elektroinstrumentu pirms lietošanas nepieciešams salabot. Daudzu negadījumu iemesls ir nepareiza elektroinstrumenta konservācija.*
- f) **Griezējinstrumentiem jābūt asiem un tīriem.** *Attiecīgi uzturēti asi griezējinstrumenta asmeņi samazina iekļīšanās iespējas un atvieglo apkalpošanu.*
- g) **Elektroinstrumentu, aprīkojumu, darba instrumentus un tml. nepieciešams lietot saskaņā ar šo instrukciju, ņemot vērā darba apstākļus un veicamo darbu.** *Lietot elektroinstrumentu tam neparedzētā veidā var novest pie bīstamām situācijām.*
- h) **Zemās temperatūrās vai pēc ilgāka nelietošanas laika, ieteicams uz pāris minūtēm ieslēgt elektroinstrumentu bez slodzes, lai piedziņas mehānismā sāktu pareizi darboties smērēļļa.**
- i) **Elektroinstrumentu tīrīšanai lietot mikstu, mitru (ne slapju) drānu un ziepes. Nelietot benzīnu, šķīdinātājus un citus līdzekļus, kuri varētu sabojāt ierīci.**
- j) **Elektroinstrumentu nepieciešams glabāt / transportēt iepriekš pārliecinoties, ka visas kustīgās daļas ir nobloķētas un nodrošinātas pret atbloķēšanos ar oriģināliem šim nolūkam paredzētiem elementiem.**
- k) **Elektroinstrumentu nepieciešams glabāt sausā, no putekļiem un mitruma sargātā vietā.**
- l) **Elektroinstrumenta transportēšanu jāveic oriģinālā iepakojumā, kurš pasargā no mehāniskiem bojājumiem.**
- m) **Rokturus un satveršanas virsmas nepieciešams uzturēt tīras, bez eļļas un smērēm.** *Neparedzētās situācijās slideni rokturi un satveršanas virsmas nedod iespēju droši turēt un kontrolēt instrumentu.*



BRĪDINĀJUMS! Vispārējie instrumenta drošas lietošanu norādījumi.

Remonts:

- a) **Savu elektroinstrumentu garantijas un pēcgarantijas remontus veic PROFIX serviss, kas garantē visaugstāko remontu kvalitāti kā arī tiek izmantotas oriģinālas rezerves**

daļas.

- b) **Ja barošanas vads tiek bojāts, to nepieciešams apmainīt pie ražotāja vai specializētā remonta darbnīcā, vai arī to jāveic kvalificētai personai, lai novērstu bīstamību.**



BRĪDINĀJUMS!

Darba laikā ar elektrisko instrumentu ieteicams vienmēr ievērot galvenos drošības principus, lai izvairītos no ugunsgrēka, elektriskās strāvas trieciena vai mehāniskām traumām.



BRĪDINĀJUMS!

LENTAS SLĪPMAŠĪNA, īpašie ierīces lietošanas drošības norādījumi:

- a) **Lentas slīpmašīna, turpmāk saukta «slīpmašīna», nav ūdens izturīga ierīce, to nepieciešams lietot tikai sausai slīpēšanai.** *Ūdens iekļūšana elektroinstrumentā var radīt elektriskās strāvas triecienu.*
- b) **Gadījumā, ja darba laikā ar elektroinstrumentu pastāv iespēja kontaktēties ar zem sprieguma atrodošiem vadiem vai ar paša barošanas vadu, elektroinstrumentu nepieciešams turēt pie šim nolūkam paredzētām izolētām virsmām.** *Kontakts ar „sprieguma vadiem” var radīt ka „zem sprieguma” atradīšies arī elektroinstrumenta metāla daļas, kā rezultātā operators var dabūt elektriskās strāvas triecienu.*
- c) **Slīpējot metālu rodas dzirksteles. Nepieciešams parūpēties, lai darba laikā radušās dzirksteles neradītu bīstamību, kā arī novākt visus tuvumā atrodošos viegli uzliesmojošus materiālus.** *Dzirksteļošana rezultātā putekļu savākšanas maisā (6) var notikt slīpēšanas putekļu pašaiždegšanās. Bīstamība palielinās, kad šie putekļi sajaucas ar lakas, poliuretāna vai citu ķīmisku materiālu paliekām, bet slīpētais materiāls pēc ilgas slīpēšanas ir sakarsēts. Tādēļ nepieciešams izvairīties no slīpētā materiāla un slīpmašīnas pārkarsēšanas kā arī vienmēr pārtraucot un beidzot darbu iztukšot putekļu savākšanas maisu.*
- d) **Darba vietu nepieciešams uzturēt tīrībā.** *Materiālu maisījumi ir sevišķi bīstami. Viegli metāla putekļi var aizdegties vai eksplodēt.*
- e) **Ielopot slīpēšanas putekļus ir kaitīgi veselībai. Tiešs fizisks kontakts ar putekļiem vai to iekļūšana plaušās var radīt alergisku reakciju un/vai operatora vai tuvumā esošo cilvēku elpošanas orgānu slimības. Atsevišķi materiāli piem. krāsas ar svina saturu satur ķīmiskas substances, kuras var būt toksiskas. Šo ķīmisko savienojumu iedarbības samazināšanai vienmēr nepieciešams rūpēties par labu darba vietas ventilāciju un strādāt drošos, pārbaudītos individuālās aizsardzības līdzekļos, tādos kā putekļu maska ar P2 klases uztvērēju, kura ir projektēta speciāli mikroskopisko daļiņu filtrēšanai. Ja tas ir iespējams nepieciešams lietot putekļu sūcēju.**
- f) **Darba laikā vienmēr nepieciešams lietot aizsargbrilles, lai novērstu putekļu iekļūšanu acīs.**
- g) **Nepieciešams lietot dzirdes aizsardzības līdzekļus (ausiņas, ausu aizbāžņi).**
- h) **Nepieciešams lietot aizsargcimdus un nekad nedrīkst pieskarties pie kustībā atrodošās slīpēšanas lentas.** *Tas draud*

ar delnas ievainojumu.

- i) **Darba laika ierīci nepieciešams stabili turēt ar abām rokām.**
- j) **Nedrīkst lietot bojātas, nolietotas vai stipri piesārņotas slīpēšanas lentes.** Bojātas slīpēšanas lentes var plīst, tikt atmettas un radīt traumas.
- k) **Slīpmašīnu nepieciešams ieslēgt un izslēgt tikai momentā, kad slīpēšanas lente (10) nepieskaras pie apstrādājamā materiāla, pretējā gadījumā elektroinstrumenti var tikt izrauts no rokām.**

SLĪPMAŠĪNAS UZBŪVE UN PIELIETOJUMS:

Lentas slīpmašīna ir rokas elektroinstrumenti ar vienfāzes komutatora dzinēja piedziņu. Otrās ierīces klases ierīce (dubultā izolācija).

Slīpmašīna paredzēta koka, kokveidīgu, metāla, plastmasas virsmu sausas slīpēšanai.

Nelietot azbestam un grafitu saturošiem materiāliem.

Nelietot ģipsim (kartona ģipša plāksņu šuvēm) un tamlīdzīgiem materiāliem. Smalkie putekļi iekļūstot mašīnas iekšpusē rada ventilācijas telpu bloķēšanu, kas noved pie dzinēja pārkarsēšanas un sadegšanas.

Ierīci nedrīkst lietot darbos, kur nepieciešamas profesionālas ierīces. Ir aizliegta slīpmašīnas lietošana neatbilstoši augstāk minētajam pielietojumam, tas noved pie garantijas zaudēšanas kā arī ražotājs neatbild par zaudējumiem, kuri radušies šādā veidā.

Jebkādas lietotāja veiktās ierīces modifikācijas atbrīvo ražotāju no atbildības par lietotājam un apkārtējiem radītiem bojājumiem un zaudējumiem.

Pareiza elektroinstrumenta lietošana attiecas arī uz konservāciju, glabāšanu, transportu un remontu.

Elektroinstrumentu drīkst lietot tikai ražotāja uzraudzības servisa punktos. Ierīces, kuras tiek barotas no elektriskā tīkla drīkst lietot tikai pilnvarotas personas.

Neskatoties uz to, ka ierīce tiek lietota saskaņā ar pielietojumu nevar pilnībā izslēgt noteiktus paliekošā riska faktoros. Ņemot vērā mašīnas konstrukciju un uzbūvi var būt sekojošas bīstamības:

- apstrādājamā priekšmeta vai priekšmeta daļu atmešana;
- dzirdes pasliktināšanās gadījumā, ja netiek lietoti dzirdes aizsardzības līdzekļi;
- veselībai kaitīgo putekļu emisija veicot darbus slēgtās telpās.

KOMPLEKTĀCIJA:

- Slīpmašīna - 1gab.
- Putekļu savākšanas maiss - 1 gab.
- Slīpēšanas lente - 1 gab.
- Oglītes - 2 gab.
- Apkalpošanas instrukcija - 1 gab.
- Garantijas karte - 1 gab.
- Transportēšanas kofēris - 1 gab. (tikai modelim TMT810K)

IERĪCES ELEMENTI:

Ierīces elementu numerācija attiecas uz apkalpošanas instrukcijas 2-3 lapaspusē atrodošos grafisko zīmējumu:

Zīm. A 1. Palīgrokturis

2. Ātruma regulēšana (tikai modelim TMT810K)
3. Slēdzis
4. Slēdža bloķēšana

5. Rokturis

6. Putekļu savākšanas maiss

7. Putekļu izejas sprausla

8. Arējās ogļiņu ligzdās

9. Lentes stāvokļa regulēšana


10. Slīpēšanas lente

Zīm. B 11. Lentes nosprīgošanas svira

12. Barošanas vads

Zīm. C 13. Vadošie rullīši

TEHNISKIE DATI:

MODELIS	TMT810	TMT810K
Spriegums	230 V	
Frekvence	50 Hz	
Jauda	810 W	
Lentes padeves ātrums (m/min)	380	200-380
Slīpēšanas lentes izmērs	533x76 mm	
Ierīces klase	II/ 	
Svars	3,2 kg	
Barošanas vada garums	3 m	
Akustiskā spiediena līmenis (LpA)	96,4 dB(A), ±3dB(A)	
Akustiskās jaudas līmenis (LwA)	104,4 dB(A), ±3dB(A)	
Vibrācijas līmenis ah atbilstoši IEC 62841-1 (mērijumu izkliede $K=1,5 \text{ m/s}^2$)	ah=4,674 m/s^2	

Uzraudzītās vibrācijas līmenis ir reprezentatīvs elektroinstrumenta pamata lietošanai. Ja elektroinstrumenti tiek lietoti citos nolūkos vai ar citiem darba instrumentiem, vai arī ja nebūs pietiekami konservēti, vibrācijas līmenis var atšķirties no uzraudzītā. Augstāk uzraudzītie iemesli var radīt vibrācijas ekspozīcijas palielināšanos visā darba laikā.

Nepieciešams realizēt papildus drošības līdzekļus, kuri pasargās operatoru no vibrācijas ekspozīcijas, piem.: Elektroinstrumenta un darba instrumenta konservācija, atbilstošas roku temperatūras nodrošināšana, darba operāciju veikšanas secības noteikšana.

Deklarētās kopējās vibrācijas vērtības un deklarētās trokšņa emisijas vērtības ir mērītas saskaņā ar standarta testa metodi, un tās var izmantot, lai savā starpā salīdzinātu instrumentus.

Sākotnējam iedarbības novērtējumam var izmantot deklarētās kopējās vibrācijas vērtības un deklarētās trokšņa emisijas vērtības.

Bridinājumi:

Vibrācijas un trokšņa emisija elektroinstrumenta faktiskā lietošanas laikā var atšķirties no deklarētajām vērtībām atkarībā no tā, kā tiek izmantots instruments un kāds materiāls tiek apstrādāts.

Operatora aizsardzībai nepieciešams noteikt drošības līdzekļus, kuri pamatojas uz iedarbības novērtējumu faktiskajā lietošanas laikā (ņemot vērā visas operatīvā cikla darbības daļas, kā piemēram laiku, kurā instruments ir izslēgts un kad strādā tukšgaitā, izņemot sprūda laiku).

SAGATAVOŠANA DARBAM:

1. Pārliecināties, ka barošanas avota parametri atbilst parametriem uzraudzītiem uz slīpmašīnas plaknītes.
2. Pārliecināties, ka slīpmašīnas slēdzis (3) atrodas izslēgšanas stāvoklī.

3. Strādājot ar pagarinātāju nepieciešams pārliicināties, ka pagarinātāja parametri, vadu šķērsgriezums atbilst slīpmašīnas parametriem. Ieteicams lietot pēc iespējas īsus pagarinātājus. Pagarinātājam jābūt pilnībā atstātam.

■ Putekļu savākšanas maisa montāža (skat.: zīm. A, lpp. 2)

UZMANĪBU: Veselības aizsardzības nolūkos darba laikā vienmēr lietot putekļu savākšanas maisu.

1. Uzlikt putekļu savākšanas maisu (6) uz iezijas sprauslu (7).
2. Stipri uzvilkt to uz sprauslas, pēc iespējas dziļāk, lai tas darba laikā nenokrītu.

Putekļu savākšanas maisa noņemšana notiek atgriezeniskā kārtībā. Lai sasniegtu vislabāko efektu putekļu savākšanas maisu nepieciešams iztukšot, kad tas ir apmēram līdz pusei piepildīts.

APKALPOŠANA:

■ Ieslēgšana/izslēgšana

UZMANĪBU: Slīpmašīnu nepieciešams ieslēgt un izslēgt tikai momentā, kad slīpēšanas lente (10) nepieskaras pie apstrādājamā materiāla.

1. Lai ieslēgtu slīpmašīnu nepieciešams nospiegt slēdzi (3) un turēt nospiestu.
2. Lai bloķētu slēdzi ieslēgšanas stāvoklī nepieciešams nospiegt slēdža bloķēšanu (4).
3. Lai izslēgtu slīpmašīnu, nepieciešams atbrīvot slēdzi (3), vai ja tas ir bloķēts ar slēdža bloķēšanu (4), nospiegt to un atbrīvot.

■ Lentas padeves ātruma uzstādīšana (tikai modelim TMT810K)

Ar ātruma regulēšanu (2) var uzstādīt vēlamo lentas padeves ātrumu. To var darīt arī darba laikā. Nepieciešamais lentas padeves ātrums ir atkarīgs no apstrādājamā materiāla un darba apstākļiem. To var noteikt veicot praktisku izmēģinājumu.

Ieteicams strādāt ar maksimāliem dzinēja apgriezieniem. Tas dod iespēju optimāli dzesēt dzinēju, kas pagarina tā kalpošanas mūžu.

■ Slīpēšana

Apstrādājamo priekšmetu nodrošināt uz stabilas pamatnes vai ar skrūvspīļu palīdzību.

Ierīci ieslēgt un pagaidīt līdz sasniedz maksimālo ātrumu. Sekojoši uzmanīgi ar slīpmašīnu pieskarties pie apstrādājamā priekšmeta virsmas.

Darba laikā slīpmašīnu nepieciešams turēt ar abām rokām un vadīt to paralēli apstrādājama virsmai. Spiediens uz virsmu nevar radīt lentas padeves palēnināšanos. Pārāk liels spiediens rada slīpēšanas lentas ātru nolietošanos, mašīnas paslogošanu un neatgriezenisku dzinēja tinumu bojājumu.

Slīpēšanas laikā noņemamā materiāla efektivitāte un apstrādājamās virsmas kvalitāte pirmām kārtām ir atkarīga no izvēlētas slīpēšanas lentas kā arī no izvēlēta lentas padeves ātruma. Jo lielāks lentas ātrums, jo lielāks noņemamā materiāla daudzums un precīzāka apstrādājama virsma.

Koku vienmēr nepieciešams slīpēt šķiedru virzienā – slīpjot šķiedru šķērsvirzienā var iegūt nevēlamus efektus.

Slīpēšanas lente, kura tika lietota metāla apstrādei nav ieteicams lietot citiem materiāliem.

UZMANĪBU: Tikai slīpēšanas lentes, kuras ir nevainojamā tehniskā stāvoklī garantē labu apstrādes ražību un pasargā elektroinstrumentu no defektiem.

■ Slīpēšanas lentes maiņa

UZMANĪBU: Pirms lentes noņemšanas un uzlikšanas nepieciešams pārliicināties, ka ierīce ir izslēgta un atvienota no barošanas.

1. Slīpēšanas lentes (11) atbloķēšanai pavilkt lentas nosprīgošanas sviru (10) uz ārpusi (skat.: zīm. B, lpp. 2).
2. Noņemt nolietoto lentu no vadošiem rullīšiem (13).
3. Uzlikt jaunu lentu (10) uz vadošiem rullīšiem (13) pievēršot uzmanību, lai slīpēšanas lentes apgriezīnu virziens (bultiņas slīpēšanas lentas iekšpusē) sakristu ar slīpmašīnas apgriezīnu virzienu (bultiņa virs aizmugurējā vadošā rullīša) (skat.: zīm. C, lpp. 3).
4. Slīpēšanas lentes (11) nosprīgošanai pavilkt lentas noslogošanas sviru uz aizmuguri.

■ Lentas stāvokļa regulēšana (skat.: zīm. D, lpp. 3)

Ieslēgt ierīci uz maziem apgriezieniem un pārbaudīt vai slīpēšanas lente (10) ir pareizi uzstādīta. Ja lentas mala iziet ārpus pamatnes malas vai neatrodas līdz pamatnes malai vairāk par 6 mm, tad lentas stāvokļa iztaisnošanai lietot lentas stāvokļa regulēšanu (9).

GLABĀŠANA UN KONSERVĀCIJA:

Mašīnai principā nav nepieciešami speciāli konservācijas darbi. Mašīnu nepieciešams glabāt bērniem nepieejamā vietā, uzturēt tīrībā, sargāt no mitruma un putekļiem. Glabāšanas apstākļiem jāizslēdz mehānisko bojājumu iespēju un atmosfēras faktoru iedarbību.

■ Tīrīšana

BRĪDINĀJUMS: Pirms jebkādu apkalpošanas darbu veikšanas ar ierīci vienmēr pārliicināties, ka ierīce ir izslēgta un atvienota no barošanas.

Droša un ražīga darba nodrošināšanai, slīpmašīnas korpusam un ventilācijas atverēm jābūt pēc iespējas brīvām no putekļiem un netīrumiem. Ieteicams tīrīt ierīci uzreiz pēc katras lietošanas.

Slīpmašīnu tīrīt ar tīru mitru nedaudz ziepīnu drānu, vai izpūst ar zema spiediena saspiesto gaisu.

Nelietot nekādas tīrīšanas līdzekļus un šķīdinātājus; tie var sabojāt no plastmasas izgatavotas ierīces daļas.

Nepieciešams uzmanīties, lai ierīce neiekļūtu ūdens.

TIPVEIDA DEFEKTI UN TO NOVĒRŠANA:

Elektroinstruments neizslēdzas vai pārtrauc darbu:

- pārbaudīt vai barošanas vads (12) ir pareizi pievienots kā arī vai barošanas ligzdā ir strāvas plūsma;
- pārbaudīt ogļišu suku stāvokli un nepieciešamības gadījumā nomainīt.

■ Ogļišu maiņa

Mašīna ir aprīkota ar ārējo ogļišu ligzdu (8), kas dod iespēju ātri apmainīt ogļītes ar plakano skrūvgriezi, bez nepieciešamības atskrūvēt korpusu. Pēc maiņas ogļišu stiprināšanas korķus nepieciešams pieskrūvēt līdz galam. Ogļišu stāvokli nepieciešams regulāri kontrolēt. Minimālais ogļišu grafitā garums ir 6 mm. Darbs ar ogļītēm mazākām par 6 mm var sabojāt rotora komutatora.

Ogļītes nepieciešams mainīt pāriem. Pēc ogļišu maiņas nepieciešams ieslēgt ierīci brīvgājienā uz 5 minūtēm.

Tehnisku problēmu gadījumā lūdzam kontaktēties ar pilnvarotu servisa punktu.

TRANSPORTS:

Slīpmašīnu transportēt un glabāt transportēšanas koferī, sargājot no

mitruma, putekļiem un smalkiem elementiem, īpaši nepieciešams aizsargāt ventilācijas atveres. Smalkie elementi, iekļūstot korpusa iekšienē var sabojāt dzinēju.

APKĀRTĒJĀS VIDES AIZSARDZĪBA:



UZMANĪBU: Uzrādītais simbols nozīmē, ka aizliegts novietot nolietoto ierīci kopā ar citiem atkritumiem (iespējams naudas sods). Bīstamās sastāvdaļas, kuras atrodas elektriskās ierīcēs negatīvi ietekmē uz apkārtnējo vidi un cilvēku veselību.

Mājsaimniecībām jāņem dalība nolietoto ierīču atgūšanā un atkārtotā izlietošanā (reciklingā). Polijā un Eiropā tiek radīta vai jau pastāv nolietot ierīču savākšanas sistēma, kura ietvaros visiem augstāk minēto ierīču pārdošanas punktiem ir pienākums pieņemt nolietotās ierīces.

Bez tam pastāv augstāk minēto ierīču savākšanas punkti.

RAŽOTĀJS:

Profix SIA

Marywilka iela 34

03-228 Varšava, Polija

Šī ierīce ir saskaņā ar valsts un Eiropas normām, ka arī drošības prasībām.

UZMANĪBU: Visāda veida remontus veic kvalificēt personāls, lietojot oriģinālas rezerves daļas.

PIKTOGRAMMAS:

Apzīmējumu skaidrojums, kuri atrodas uz plāksnītes un informācijas uzlīmēm:



– «Pirms ieslēgšanas un darba sākuma nepieciešams iepazīties ar šo instrukciju»



– «Vienmēr lietot aizsargbrilles»



– «Lietot dzirdes aizsardzības līdzekļus»



– «Vienmēr nepieciešams lietot putekļu»



Firmas PROFIX politika ir nepārtraukta savu produktu pilnveidošanas politika, tāpēc firma sev rezervē tiesības ievest izstrādājuma specifiskācijas izmaiņas bez iepriekšējas paziņošanas. Zīmējumi, kuri uzrādīti apkalpošanas instrukcijā kalpo tikai kā piemērs un var nedaudz atšķirties no iegādātās ierīces reālā izskata.


Šī instrukcija ir sargāta ar autortiesībām. Aizliegts to kopēt/pavairot bez PROFIX SIA rakstiskas atļaujas.



PŘED ZAHÁJENÍM POUŽÍVÁNÍ SE SEZNAMTE S TÍMTO NÁVODEM.

Uchovávejte návod pro případné další použití.



POZOR! Přečtěte si všechny výstrahy týkající se bezpečnosti používání označené symbolem  a veškeré pokyny týkající se bezpečnosti používání.

Nedodržování uvedených bezpečnostních výstrah a bezpečnostních pokynů může být příčinou zásahu elektrickým proudem, požáru a/nebo závažných úrazů.

Uchovávejte výstrahy a pokyny týkající se bezpečnosti pro případné použití v budoucnosti.

V níže uváděných výstrahách pojem „elektronářadí“ znamená elektronářadí napájené z elektrické sítě (elektrickým vodičem) nebo elektronářadí napájené baterií (bezdrátové).



VÝSTRAHA! Všeobecné výstrahy týkající se bezpečného používání nářadí.

Bezpečnost na pracovišti:

- Udržujte na pracovišti pořádek a zajistěte zde dobré osvětlení. Nepořídek a špatné osvětlení často zapříčiňují nehody.
- Nepoužívejte elektronářadí ve výbušném prostředí tvořeném hořlavými tekutinami, plyny nebo prachem. Elektronářadí vytváří jiskry, které by mohly zapálit prach nebo výpary.
- Nepouštějte děti ani jiné pozorovatele na místa, kde se používá elektronářadí. Rušení pozornosti může způsobit ztrátu kontroly nad elektronářadím.



VÝSTRAHA! Všeobecné výstrahy týkající se bezpečného používání nářadí.

Elektrická bezpečnost:

- Zástrčky nářadí musí odpovídat zásuvkám. Nikdy žádným způsobem nepředělavajte zástrčky. V případě elektronářadí, které má vodič s ochranným uzemněním, nepoužívejte žádné prodlužovačky. Původní nepředělané zástrčky a zásuvky snižují riziko zásahu elektrickým proudem.
- Vyvarujte se dotýkání uzemněných ploch nebo takových, které jsou spojené s hmotou, jako jsou trubky, ohřívače, radiátory ústředního topení a chladničky. V případě dotýkání takových ploch a předmětů roste riziko zásahu elektrickým proudem.
- Nevystavujte elektronářadí na působení deště nebo vlhka. Pokud by se do elektronářadí dostala voda, roste riziko zásahu elektrickým proudem.
- Kabely se nesmí žádným způsobem namáhat. Nikdy nepoužívejte kabel k nošení, tažení elektronářadí nebo k vytahování zástrčky ze zásuvky. Kabel musí být umístěn daleko od zdrojů tepla, oleje, ostrých hran nebo pohyblivých částí. Poškozené nebo propletené kabely zvyšují riziko zásahu elektrickým proudem.
- V případě, že se elektronářadí používá venku, je třeba prodlužovat elektrické kabely prodlužovací určenými na práci venku. Používání prodlužovace určeného do venkovního prostředí snižuje riziko zásahu elektrickým proudem.
- Doporučuje se připojení zařízení k elektrické síti vybavené proudovým chráničem (RCD) s vypínacím proudem 30mA nebo menším.

- Pokud je nezbytné použití elektronářadí ve vlhkém prostředí, je třeba použít jako ochranu proudový chránič (RCD). Použití RCD snižuje riziko zásahu elektrickým proudem.



VÝSTRAHA! Všeobecné výstrahy týkající se bezpečného používání nářadí.

Osobní bezpečnost:

- Toto zařízení nesmí používat osoby (včetně dětí) s omezenou fyzickou, smyslovou nebo psychickou schopností, nebo osoby, které nemají odpovídající zkušenosti nebo znalosti zařízení, leda že je používají s příslušným dozorem, nebo v souladu s návodem na používání zařízení, který jim předají osoby zodpovědné za jejich bezpečnost.
- Při používání elektronářadí je třeba být předvídatý, pozorovat, co se děje, a používat zdravý rozum. Nepoužívejte elektronářadí, pokud jste unavení nebo pod vlivem drog, alkoholu nebo léků. Chvilé nepozornosti při práci s elektronářadím může způsobit závažné osobní úrazy.
- Je třeba používat osobní ochranné prostředky. Je třeba vždy používat ochranné brýle. Používání v příslušných podmínkách takových ochranných prostředků, jako je protiprachová respirační maska, protiskluzová obuv, přilba nebo chrániče sluchu, snižuje nebezpečí osobních úrazů.
- Je třeba se vyhnout neplánovanému spuštění. Před připojením k elektrickému zdroji a/nebo před zapojením baterie a než se nářadí zvedne, nebo přeneše, je třeba se ujistit, že je vypínač elektronářadí v poloze vypnuto. Přenášení elektronářadí s prstem na vypínači nebo připojení elektronářadí do sítě se zapojeným vypínačem může být příčinou nehody.
- Před spuštěním elektronářadí je třeba odstranit všechny klíče. Ponechání klíče v otáčející se části elektronářadí může způsobit poranění.
- Je zakázáno přilížit se naklánět. Po celou dobu musíte stát pevně a udržovat rovnováhu. Umožní Vám to dobře kontrolovat elektronářadí při nepředvídatelných situacích.
- Je třeba mít vhodné oblečení. Při práci nenoste volné oblečení ani bižuterii. Je třeba zajistit, aby Vaše vlasy, oblečení a rukavice byly v bezpečné vzdálenosti od pohyblivých částí. Volné oblečení, bižuterie nebo dlouhé vlasy se mohou zachytit do pohyblivých částí.
- Pokud je zařízení přizpůsobeno na napojení k vnějšímu odsávání prachu a pohlcovači prachu, ujistěte se, že jsou připojeny a řádně se používají. Použitím pohlcovačů prachu můžete omezit nebezpečí závislé na prašnosti.
- Neodvolte, aby vaše znalosti získané častým používáním elektronářadí způsobily, že se budete cítit sebejistě a začnete ignorovat bezpečnostní pravidla. Neopatrnost při činnosti může způsobit v zlomku sekundy závažný úraz.



VÝSTRAHA! Všeobecné výstrahy týkající se bezpečného používání nářadí.

Používání elektronářadí a péče o ně:

- Elektronářadí se nesmí přetěžovat. Je třeba používat elektronářadí s výkonem vhodným pro provádění určité práce. Správné elektronářadí umožní lepší a bezpečnější práci se zátěží, na kterou bylo naprojektováno.

- b) Elektronářadí, u kterého nefunguje spínač, se nesmí používat. Každé elektronářadí, které nelze zapínat nebo vypínat spínačem, je nebezpečné a je třeba je opravit.
- c) Před provedením každého seřízení, výměny součástky nebo před skladováním odpojte zástrčku elektronářadí od zdroje elektrického proudu a/nebo odpojte baterii. Takový bezpečnostní postup omezuje riziko náhodného spuštění elektronářadí.
- d) Nepoužívané elektronářadí uchovávejte mimo dosah dětí a nedovolte přístup osobám, které nejsou obeznámené s elektronářadím nebo s tímto návodem na používání elektronářadí. Elektronářadí může být nebezpečné v rukách nevyškolených uživatelů.
- e) Elektronářadí je třeba udržovat. Je třeba kontrolovat souosost nebo zaseknutí pohyblivých částí, praskliny součástí a veškeré další faktory, které by mohly ovlivnit činnost elektronářadí. Pokud zjistíte poškození, musíte elektronářadí před použitím opravit. Příčinou mnohých nehod je neodborná údržba elektronářadí.
- f) Řezací nástroje musí být ostré a čisté. Řádná údržba ostrých hran řezacích nástrojů snižuje pravděpodobnost zaseknutí a usnadňuje obsluhu.
- g) Elektronářadí, vybavení, pracovní nástroje apod. používejte v souladu s tímto návodem, při čemž zohledňujete pracovní podmínky a druh prováděné práce. Používání jiným způsobem, pro který není elektronářadí určeno, může způsobit nebezpečné situace.
- h) V nízkých teplotách, nebo pokud se nářadí po delší dobu nepoužívá, doporučuje se zapnout elektronářadí bez zátěže po dobu několika minut za účelem řádného promazání mechanismu pohonu.
- i) K čištění elektronářadí použijte měkký, vlhký (ne mokry) hadřík a mýdlo. Nepoužívejte benzin, rozpouštědla a další prostředky, které by mohly poškodit zařízení.
- j) Elektronářadí je třeba skladovat / dopravovat až potom, co se ujistíte, že jsou veškeré jeho pohyblivé součásti zablokované a zajištěné proti odblokování s použitím původních součástek určených k tomuto účelu.
- k) Elektronářadí skladujte na suchém místě chráněném proti prachu a průniku vlhkosti.
- l) Doprava elektronářadí by měla probíhat v původním obalu tak, aby bylo chráněné proti mechanickému použití.
- m) Držáky a plochy uchopení udržujte čisté, nezamaštěné olejem a mazivem. Kluzké držáky a plochy uchopení neumožňují bezpečné držení nářadí a jeho plnou kontrolu v nečekaných situacích.



VÝSTRAHA! Všeobecné výstrahy týkající se používání nářadí.

Oprava:

- a) Záruční a pozáruční opravy svého elektronářadí provádí Servis PROFIX, což zaručuje nejvyšší kvalitu oprav a používání původní náhradních dílů.
- b) Pokud by byl pevný přívodní kabel zařízení poškozený, je třeba jej nechat vyměnit u výrobce nebo u odborné opravny, nebo kvalifikovanou osobou, abyste tak zamezili ohrožení.



VÝSTRAHA!

Při práci s elektronářadím vždy dodržujte základní pravidla bezpečnosti práce, abyste zamezili výbuchu požáru,

zásahu elektrickým proudem nebo mechanickému úrazu.



VÝSTRAHA! PÁSOVÁ BRUSKA

Podrobné pokyny týkající se bezpečného používání zařízení:

- a) Pásová bruska, dále jen «bruska», není voděodolné zařízení, lze ji používat výhradně k leštění na sucho. Průnik vody dovnitř elektronářadí může způsobit úraz elektrickým proudem.
- b) Elektronářadí je třeba při práci, kdy by mohlo dojít ke styku elektronářadí s elektrickými vodiči nebo pod napětím nebo s jeho vlastním napájecím kabelem, držet za izolované povrchy určené k tomuto účelu. Dotek s „vodiči pod napětím“ může způsobit, že budou „pod napětím“ také kovové části elektronářadí, které tak mohou způsobit úraz obsluhy.
- c) Při broušení kovů vznikají jiskry. Je třeba se postarat o to, aby vznikající při práci jiskry nikoho neohrožovaly, a odstranit nacházející se poblíž hořlavé materiály. Vlivem jiskření může také dojít k samovznícení zbrouseného prachu v pytlí na prach (6). Zvýšené nebezpečí existuje, pokud je tento prach smíchán se zbytky laku, polyuretanu nebo jinými chemickými materiály a leštěný materiál je po dlouhém zpracování rozeřháván. V této souvislosti je třeba se vyhnout přehřívání leštěného materiálu a brusky a vždy vyprazdňovat pytel na prach během přestávek a po ukončení práce.
- d) Udržujte pracoviště čisté. Směsi materiálů jsou obzvláště nebezpečné. Prach z lehkého kovu se může vznítit nebo vybuchnout.
- e) Vdechování prachu z leštění je zdraví škodlivé. Bezprostřední fyzický styk s prachem nebo jeho průnik do plic mohou způsobit alergické reakce a/nebo nemoci dýchací soustavy obsluhy nebo osob pobývajících poblíž. Některé materiály, např. nátěry s obsahem olova, obsahují chemické látky, které mohou být toxické. Pro snížení působení těchto chemických sloučenin je třeba vždy pečovat o dobré větrání pracoviště a pracovat v protiprášných bezpečných ochranných prostředcích jako jsou protiprášné masky s filtrem třídy P2, které jsou určeny speciálně pro filtraci mikroskopických částic. Pokud je to možné, použijte odsávání prachu.
- f) Během práce vždy používejte přiléhající ochranné brýle pro zajištění ochrany očí.
- g) Používejte bezpečnostní prostředky na ochranu sluchu (sluchátka, špunty).
- h) Používejte ochranné rukavice a nikdy se nedotýkejte brusného pásu v pohybu. Hrozí to poraněním dlaně.
- i) Během práce držte zařízení oběma rukama.
- j) Nepoužívejte poškozené, opotřebované nebo silně znečištěné brusné pásy. Poškozené brusné pásy se mohou přetrhnout, odletět a způsobit úraz.
- k) Brusku je třeba zapínat a vypínat pouze, když se brusný pás (10) nedotýká zpracovaného materiálu, v opačném případě by se vám mohlo elektronářadí vytrhnout z ruky.

KONSTRUKCE URČENÍ BRUSKY:

Pásová bruska je ruční elektronářadí s pohonem jednofázovým, komutátorovým elektromotorem. Zařízení je ve druhé třídě (dvojitá izolace).

Bruska je určena k broušení na sucho povrchů, které jsou dřevěné, na bázi dřeva, kovové, z umělých hmot.

Nepoužívejte ji na azbest a materiály, které obsahují grafit.

Nepoužívejte ji na sádro (spojte sádkartonových desek) a podobné materiály. Drobný prach, který proniká dovnitř stroje, by způsobil zablokování ventilačních prostorů, což by vedlo k přehřátí a spálení vinutí motoru.

Není dovoleno používat toto nářadí k práci, která vyžaduje použití profesionálního nářadí.

Každé použití zařízení jinak, než to vyplývá z jeho výše uvedeného určení, je zakázané, způsobuje ztrátu záruky a osvobozuje výrobce od odpovědnosti za takto způsobené škody.

Jakékoliv úpravy zařízení prováděné uživatelem osvobozuje výrobce od odpovědnosti za poškození a škody způsobené uživateli a v okolí.

Správné používání elektronářadí se týká také údržby, skladování, dopravy a oprav.

Elektronářadí mohou opravovat pouze servisní opravny určené výrobcem. Zařízení, které je napájeno ze sítě, by měly opravovat pouze osoby, které jsou k tomu oprávněny.

I při používání nářadí v souladu s jeho určením nelze zcela eliminovat určité rizikové faktory. Vzhledem ke konstrukci a stavbě stroje se mohou vyskytnout následující ohrožení:

- zpětný ráz zpracovávaného předmětu nebo jeho části.
- poškození sluchu v případě nepoužívání nezbytné ochrany sluchu;
- zdraví škodlivé emise prachu v případě provádění prací v uzavřených prostorách.

KOMPLETACE:

- Pásová bruska - 1 ks.
- Pytel na prach - 1 ks.
- Brusný pás - 1 ks.
- Uhlíkové kartáče – 2 ks.
- Návod na obsluhu – 1 ks.
- Záruční list - 1 ks.
- Transportní kufřík – 1 ks. (pouze k modelu TMT810K)

SOUČÁSTI ZAŘÍZENÍ:

Číslování součástí zařízení se vztahuje ke grafickému znázornění umístěnému na stránkách 2-3 návodu na obsluhu:

Obr. A 1. Pomocný držák

2. Knoflík nastavení rychlosti (pouze u modelu TMT810K)
3. Spouštěcí vypínač
4. Zablokování vypínače
5. Hlavní držák
6. Pytel na prach
7. Tryska odvodu prachu
8. Vnější sedla uhlíkových kartáčů
9. Knoflík nastavování polohy pásu
10. Brusný pás

Obr. B 11. Páka napínající pás

12. Vodič napájení

Obr. C 13. Válečky vedení

TECHNICKÉ ÚDAJE:

MODEL	TMT810	TMT810K
Jmenovité napětí	230 V	
Jmenovitý kmitočet	50 Hz	

Odebíraný výkon	810 W	
Rychlost posunu pásu (m/min)	380	200-380
Rozměr brusného pásu	533x76 mm	
Třída zařízení	II/ □	
Hmotnost	3,2 kg	
Délka kabelu napájení	3 m	
Hladina akustického tlaku (LpA)	96,4 dB(A), ±3dB(A)	
Hladina akustického výkonu (LwA)	104,4 dB(A), ±3dB(A)	
Úroveň vibrací ah podle normy: IEC 62841-1 (tolerance měření K=1,5 m/s ²)	ah=4,674 m/s ²	

Uvedená úroveň vibrací platí pro základní použití elektronářadí. Pokud by bylo elektronářadí použito jinak nebo s jinými pracovními nástroji, a také pokud nebude prováděna dostatečná údržba, úroveň vibrací se může lišit od uvedené. Výše uvedené důvody mohou způsobit zvýšení vystavení vibracím během celé doby práce.

Je třeba uplatnit další bezpečnostní prostředky, jejichž účelem je ochrana obsluhy pily proti důsledkům vystavení vibracím, např.: údržbu elektronářadí a pracovních nástrojů, zajištění vhodné teploty rukou, určení pořadí pracovních úkonů.

Deklarovaná celková hodnota vibrací a deklarované hodnoty emisí hluku byly naměřeny standardními způsoby zkoušení a lze je používat pro účely srovnávání s jiným nářadím.

Deklarovaná celková hodnota vibrací a deklarované hodnoty emisí hluku lze využívat při předběžném vyhodnocení vystavení.

Výstrahy:

Vibrace a emise hluku během skutečného používání elektronářadí se mohou lišit od deklarovaných hodnot v závislosti na způsobu, jakým je nářadí používáno, a především v závislosti na druhu obráběného předmětu.

Je třeba určit bezpečnostní prostředky na ochranu obsluhy, a to na základě odhadu skutečného vystavení během používání (při zohlednění všech částí operačního cyklu, jako je doba, po kterou je nářadí zapnuto, a doba, kdy je na volnoběhu, s výjimkou doby spouštění).

PŘÍPRAVA PRÁCI:

1. Ujistěte se, že zdroj napájení má parametry odpovídající parametrům brusky uvedeným na firemním štítku.
2. Ujistěte se, že vypínač (3) brusky je ve vypnuté poloze.
3. V případě práce s prodlužovačkou se ujistěte, že parametry prodlužovačky, průměry kabelů, odpovídají parametrům nářadí. Doporučujeme použití co nejkratší prodlužovačky. Prodlužovačka by měla být zcela rozvinutá.

■ Namontování pytle na prach (viz obr. A str. 2)

POZOR: Ze zdravotních důvodů je třeba během práce používat pytel na prach.

1. Nasadte pytel na prach (6) na trysku výstupu prachu (7).
2. Vtlačte ho na trysku tak silně, jak jen to je možné, aby nespadol během práce.

Odstraňte pytel na prach tak, že budete postupovat v opačném pořadí. Za účelem získání co nejlepších výsledků vyprazdňujte pytel na prach už když je naplněný přibližně z poloviny.

OBSLUHA:

■ Zapínání/vypínání

POZOR: Brusku je třeba zapínat a vypínat pouze ve chvíli, když se brusný pás (10) nedotýká obráběného materiálu.

1. Za účelem vypnutí brusky je třeba stlačit vypínač (3) a přidržet ho stlačený.
2. Pro zablokování vypínače v zapnuté poloze je třeba stlačit blokování vypínače (4).
3. Pro vypnutí brusky je třeba (3) vypínač povolit, nebo – pokud je znehýbněný blokováním vypínače (4) – krátce jej stlačit a následně povolit.

■ Nastavení rychlosti pásu (pouze u modelu TMT810K)

Knoflíkem na regulování rychlosti (2) lze nastavit požadovanou rychlost posunu pásu. Lze to udělat také během práce. Požadovaná rychlost posunu pásu je závislá na obráběném materiálu a pracovních podmínkách. Lze ji určit provedením praktické zkoušky.

Doporučuje se pracovat s maximálními otáčkami motoru. Umožňuje to optimální chlazení motoru, což prodlužuje jeho životnost.

■ Broušení

Zajistěte obráběný předmět na stabilním podkladu nebo ve svěráku.

Zapněte zařízení a počkejte, až najede na plnou rychlost. Následně jemně přiložte brusku k povrchu obráběného předmětu.

Během práce je třeba brusku vést rovnoměrně s obráběnou plochou tak, že ji držíte oběma rukama. Tlak na plochu nesmí způsobovat zpomalování posunu pásu. Příliš velký tlak způsobí zvýšené opotřebení pásu, přetížení stroje a nezvratné škody na vnitřní motoru.

Výkonnost odstraňování během broušení a kvalita obrábění plochy jsou závislé především na druhu zvoleného brusného pásu a na zvolené rychlosti posunu pásu. Čím větší rychlost pásu, tím větší množství odstraňovaného materiálu a tím více precizní obrábění povrchu.

Dřevo je třeba brousit vždy po směru kresby letokruhů – při broušení opačným, příčným vůči kresbě letokruhů směrem, mohli byste získat nežádoucí efekt.

Brousíci pás na obrábění kovu nepoužívejte na jiné materiály.

POZOR: Dobrou efektivitu zpracování zaručují a chrání proti poškození nářadí výhradně takové brousíci pásy, které jsou z technického hlediska bezvadné.

■ Výměna brusného pásu

POZOR! Před zahájením libovolné činnosti spojené s obsluhou a přípravou nářadí na práci se musíte ujistit, že je nářadí odpojeno od přívodu elektriny.

1. Potáhněte za páku napínání pásu (11) směrem ven, pro odblokování brusného pásu (10) (viz obr. B, str. 2).
2. Stáhněte opotřebovaný pás z vodících válečků (13).
3. Nasuňte nový brusný pás (10) na vodící válečky (13), dávejte při tom pozor na to, aby směr otáčení brusného pásu (šípky na vnitřní straně brusného pásu) odpovídal směru otáček brusky (šípka nad zadním vodícím válečkem) (viz obr. C, str. 3).
4. Potáhněte páku napínající pás (11) dozadu, pro napnutí brusného pásu.

■ Nastavení dráhypásu (viz obr. D, str. 3)

Zapněte zařízení na malé otáčky a zkontrolujte, zda je brusný pás (10) správně umístěn. Pokud okraj brusného pásu třící mimo okraj podstavce nebo nedochází k okrají podstavce na vzdálenost větší než 6 mm, použijte regulační knoflík polohy pásu (9) na vyrovnaní dráhypásu.

SKLADOVÁNÍ A ÚDRŽBA:

Stroj v podstatě nevyžaduje zvláštní údržbu. Nářadí skladujte na místě, které není přístupné dětem, udržujte jej čisté, chráňte před vlhkem a zaprášením. Podmínky skladování by měly vylučovat možnost mechanického poškození nářadí a minimalizovat vliv škodlivých povětrnostních podmínek.

■ Čištění



POZOR! Před začátkem údržby se ujistěte, zda je zařízení odpojeno od napájení.

Pro zajištění bezpečné a efektivní práce je nutné, aby byl kryt brusky a ventilační štěrby zbaven prachu a znečištění. Doporučuje se očistit stroj bezprostředně po každém použití.

Vnější plastové části se může očistit pomocí vlhkého hadříku a jemného čistícího prostředku. NIKDY nepoužívejte rozpouštědla - mohly by poškodit součásti zařízení z umělé hmoty. Dávejte pozor, aby se dovnitř zařízení nedostala voda.

Doporučuje se po práci přefoukat stlačeným vzduchem ventilační otvory - chrání to proti předčasnému opotřebování ložisek a odstraňuje prach blokuující přísun vzduchu chladícího motoru.

TYPICKÉ ZÁVADY A JEJICH ODSTRANĚNÍ:

Elektronářadí se nezapíná nebo pracuje přerušovaně:

- zjištěte, zda je elektrický kabel (12) správně zapojen a zda je v zásuvce proud;
- zkontrolujte stav uhlíkových kartáčků a případně je vyměňte.

■ Výměna uhlíkových kartáčů

Stroj je vybaven vnějšími sedly uhlíkových kartáčů (8), což umožňuje snadné vyměnění kartáčů s použitím širokého, plochého šroubováku, bez nutnosti rozšroubovat kryt. Po výměně je třeba špunty upevňující kartáče šroubovat až nadoraz. Stav kartáčů je třeba pravidelně prověřovat. Minimální délka grafitu kartáče je 6 mm. Práce s kartáči, které jsou kratší než 6 mm, může způsobit poškození komutátoru rotoru.

Kartáče se mají měnit v párech. Po výměně kartáčů je třeba zařízení spustit na 5 minut na volnoběh.

V případě technických problémů kontaktujte příslušnou oprávněnou opravnu.

DOPRAVA:

Zařízení dopravujte a skladujte v obalu, který je chrání před vlhkem, průnikem prachu a drobných objektů, především chraňte ventilační otvory. Drobné částice, které by se dostaly dovnitř krytu, mohou poškodit motor. Drobné části, které proniknou dovnitř krytu, mohou poškodit motor.

OCHRANA ŽIVOTNÍHO PROSTŘEDÍ:



POZOR: Zobrazený symbol znamená zákaz likvidace zařízení dohromady s jinými odpady (na porušení zákazu se vztahuje pokuta). Nebezpečné složky, které se nacházejí v elektrickém a elektrotechnickém vybavení mají negativní vliv na životní prostředí a lidské zdraví.

Domácnosti by se měly zapojit do získávání zpět a opětovného využívání (recyklace) starých elektrospotřebičů. V Polsku a v Evropě se tvoří nebo už existuje systém sběru elektroodpadu, v rámci kterého mají všechna prodejní místa elektrospotřebičů povinnost přijímat elektroodpad. Kromě toho existují sběrná místa pro elektroodpad.

VÝROBCE:

PROFIX s.r.o.

ul. Marywilska 34,

03-228 Varšava, Polsko

Toto zařízení vyhovuje vnitrostátním i evropským normám a bezpečnostním požadavkům.

POZOR: Veškeré opravy musí provádět kvalifikovaní odborníci, s použitím původních náhradních dílů.**PIKTOGRAMY:**

Vysvětlení ikon umístěných na firemním štítku a na informačních nálepkách na zařízení:

– **«Před spuštěním zařízení si přečtěte návod na obsluhu!»**– **«Vždy používejte ochranné brýle»**– **«Používejte prostředky na ochranu sluchu»**– **«Používejte ochranné masky proti prachu»**

Politika firmy PROFIX je politikou průběžného zdokonalování výrobků, z toho důvodu si firma vyhrazuje právo změnit specifikaci výrobku bez předchozího informování. Obrázky, uvedené v návodu na obsluhu, jsou pouze příklady a mohou se lišit od skutečného vzhledu zakoupeného zařízení.

Tento návod je chráněn autorským zákonem. Jeho kopírování / rozmnožování bez písemného souhlasu společnosti PROFIX s.r.o. je zakázané.



PRIEŠ RADEKANT DARBĄ SUSIPAŽINKITE SU INSTRUKCIJA.

Išsaugokite instrukciją, nes gali būti reikalinga vėliau.



ĮSPĖJIMAS! Prašome perskaityti visus įspėjimus dėl saugaus naudojimo pažymėtus simboliais ⚠ bei visas nuorodas dėl saugaus naudojimo.

Žemiau pateikiamų įspėjimų dėl saugos bei saugos nuorodų nesilaikymas gali būti elektros smūgio, gaisro ir/arba sunkių kūno sužalojimų priežastimi. Išsaugokite visus įspėjimus ir visas saugos nuorodas, kad vėliau būtų galima jais pasinaudoti.

Žemiau pateiktuose įspėjimuose sąvoka „elektros prietaisas“ apibūdina elektros prietaisą maitinamą elektros energija iš elektros tinklo (maitinimo laidas) arba elektros prietaisą maitinamą akumuliatoriumi (belaidis).



ĮSPĖJIMAS! Bendri įspėjimai dėl saugaus įrankio naudojimo.

Sauga darbo vietoje:

- Darbo vietoje turi būti švaresnis, tvarkinga bei geras apšvietimas. *Netvarka bei netinkamas darbo vietos apšvietimas gali būti nelaimingų atsitikimų priežastimi.*
- Nenaudoti elektros prietaiso sprogioje aplinkoje, kurioje yra degūs skysčiai, degios dujos arba dulkės. *Elektros prietaiso darbo metu susidaro elektros kibirkštis, todėl gali užsidegti esantis aplinkoje garai.*
- Darbo vietoje negali būti vaikų bei pašaliniai. *Dėmesio nukreipimas gali būti elektros prietaiso valdymo praradimo priežastimi.*



ĮSPĖJIMAS! Bendri įspėjimai dėl saugaus įrankio naudojimo.

Elektros sauga:

- Elektros prietaisų kištukai turi atitikti elektros lizdo tipui. Jokių būdu negalima keisti kištuko. Jeigu elektros prietaisas turi įžeminimą, negalima naudoti ilgutuvo. *Originalių kištukų bei lizdų naudojimas sumažina elektros smūgio riziką.*
- Venkite kūno kontakto su įžemintais paviršiais, tokiais kaip vamzdžiai, šildytuvai, centrinio šildymo radiatoriai bei šaldytuvais. *Kontaktas su įžemintais paviršiais didina elektros smūgio pavojų.*
- Saugokite prietaisą nuo lietaus ir drėgmės. *Jeigu vanduo patenka į elektros prietaisą, padidėja elektros smūgio rizika.*
- Nenaudokite laidų ne pagal paskirtį. Neneškite įrenginio paėmę už laido, netraukite už jo norėdami išjungti kištuką iš elektros lizdo. Laidą klokite taip, kad jo neveiktų karštis, jis neišsitemptų alyva ir jo nepažeistų aštrios detalės ar judančios prietaiso dalys. *Pažeistas laidas gali tapti elektros smūgio priežastimi.*
- Jeigu elektros prietaisas yra naudojamas lauke, laido prailginimui naudokite tik specialiai tam skirtus prailgintuvus. *Prailgintuvų skirtų darbui lauke naudojimas sumažina elektros smūgio riziką.*
- Įrankį rekomenduojama jungti į elektros maitinimo tinklą, turintį likutinės srovės įrenginį (RCD), kurio išjungimo srovė yra 30 mA arba mažesnė.
- Jeigu negalima išvengti elektros prietaiso naudojimo drėgnoje aplinkoje, naudokite RCD įrenginį. *RCD įrenginio naudojimas sumažina elektros smūgio riziką.*



ĮSPĖJIMAS! Bendri įspėjimai dėl saugaus įrankio naudojimo.

Žmonių sauga:

- Prietaisu negali naudotis asmenys (tame tarpe vaikai) turintis fizinius, jutimo arba psichinius negalavimus, taip pat asmenys neturintis darbo patirties arba nesupažinęs su prietaisu, nebent toks darbas vyksta stebint specialistui arba pagal prietaiso naudojimo instrukciją, kurį buvo perduota asmeniui atsakingu už saugą.
- Būkite atidūs, sutelkite dėmesį į tai, ką Jūs darote ir, dirbdami su elektros prietaisu, vadovaukitės sveiku protu. Nedirbkite su prietaisu, jei esate pavargę arba vartojote narkotikus, alkoholį ar medikamentus. *Akimirkšnio neatidumas naudojant prietaisą gali tapti rimtų sužalojimų priežastimi.*
- Dėvėkite tinkamą aprangą. Nešiokite apsauginius akinius. *Apsauginės aprangos, tokios kaip dulkių kaukė, neslystantis apsauginiai batai, šalmai, asinės, naudojimas sumažina sužalojimų grėsmę.*
- Saugokitės, kad neįjungtumėte prietaiso atsitiktinai. Prieš įjungiant kištuką į elektros lizdą ir/arba prieš akumuliatoriaus įjungimą bei prieš paėmimą arba pernešant prietaisą įsitikinkite, kad prietaisas yra išjungtas. *Prietaiso pernešimas su pirštu ant jungiklio arba prietaiso įjungimas į maitinimo tinklą gali tapti nelaimingo atsitikimo priežastimi.*
- Prieš įjungdami prietaisą pašalinkite raktus. *Prietaiso besisukančioje dalyje esantis įrankis ar raktas gali tapti sužalojimų priežastimi.*
- Nepasilenkite pernelyg į priekį. Dirbdami atsisotokite patikimai ir visada išlaikykite pusiausvyrą. *Patikima stovėseną ir tinkamą kūno laikysena leis geriau kontroliuoti prietaisą netikėtose situacijose.*
- Dėvėkite tinkamą aprangą. Nedėvėkite plaučių drabužių ir papuošalų. Saugokite plaukus, drabužius ir pirštines nuo besisukančių prietaiso dalių. *Laisvus drabužius, papuošalus bei ilgus plaukus gali įtraukti besisukančios prietaiso dalys.*
- Jeigu įrenginiai yra pritaikyti prijungimui prie dulkių nusiurbimo ir dulkių surinkėjo, įsitikinkite, kad šie įrenginiai tinkamai prijungti ir panaudoti pagal paskirtį. *Dulkių surinkėjų panaudojimas sumažina dulkių poveikio pasekmes.*
- Elektros įrankių naudojimo įgūdžiai, igyti dažno jų naudojimo metu, negali per daug padidinti Jūsų pasitikėjimo savimi ir leisti nesilaikyti saugos taisyklių. *Neatsargiai naudojantis elektros įrankiais, galima rimtai susižeisti per kelias sekundes.*



ĮSPĖJIMAS! Bendri įspėjimai dėl saugaus įrankio naudojimo.

Rūpestingai elektros prietaisų priežiūra ir naudojimas

- Neperkraukite prietaiso. Naudojamo prietaiso galingsumas turi atitikti atliekamam darbui. *Tinkamai parinktas elektros prietaisas leis atlikti darbą gerai ir saugiai.*
- Nenaudokite elektros prietaiso su sugedusiu jungikliu. *Elektros prietaisas, kurio nebeegalima įjungti ar išjungti, yra pavojingas ir jį reikia remontuoti.*
- Prieš reguliuodami prietaisą, keisdami darbo įrankius arba prieš sandėliavimą ištraukite kištuką iš elektros lizdo ir/arba atjunkite akumuliatorių. *Ši saugumo priemonė apsaugos jus nuo netikėto prietaiso įsijungimo.*

- d) Nenaudojamą prietaisą sandėliuokite vaikams ir nemokantiems juo naudotis arba nesupažinusiems su instrukcija asmenims neprieinamoje vietoje. *Elektriniai įrankiai yra pavojingi, kai juos naudoja nepatyrę asmenys.*
- e) **Rūpestingai** prižiūrėkite prietaisą. Patikrinkite, ar besisukančios prietaiso dalys tinkamai veikia ir niekur nekliūva, ar nėra sulūžusių ar šiaip pažeistų dalių, kurios įtakotų elektros prietaiso veikimą. Jeigu yra gedimai suremontuokite prietaisą. *Daugelio nelaimingų atsitikimų priežastis yra blogai prižiūrimi elektros prietaisai.*
- f) **Pjovimo įrankiai turi būti aštrūs ir švarūs.** *Rūpestingai prižiūrėti elektros prietaisai su aštriais pjovimo įrankiais yra lengviau valdomi ir juos geriau kontroliuoti.*
- g) **Elektros prietaisą, papildomus įrankius, darbo įrankius ir t.t. naudokite tik pagal instrukciją, turėdami omeny darbo sąlygas bei atliekamo darbo pobūdį.** *Elektros prietaiso naudojimas ne pagal paskirtį gali sukelti pavojingas situacijas.*
- h) Jeigu prietaisas nebuvo naudojamas ilgesnį laiką arba yra naudojamas žemos temperatūros sąlygose, įjunkite jį kelioms minutėms be apkrovos tam, kad tepalas tinkamai pasiskirstytų pavaros mechanizme.
- i) **Elektros prietaisus valykite minkštu, drėgnu (ne šlapiu) skuduru ir muilu.** Nenaudokite benzino, tirpiklių bei kitų priemonių galinčių pažeisti prietaisą.
- j) **Elektros prietaisą laikykite/transportuokite tik po to, kai įsitikinsite, kad jo visos besisukančios dalys yra užblokuotos ir saugomos originaliomis, specialiai tam skirtomis detalėmis.**
- k) **Elektros prietaisą laikykite sausoje, apsaugotoje nuo dulkių bei drėgmės vietoje.**
- l) **Elektros prietaisą transportuokite originalioje pakuotėje, saugančioje nuo mechaninių pažeidimų.**
- m) **Rankenos ir kiti įrankio laikymo paviršiai turi būti švarūs, nealiejuoti ir netepaluoti.** *Jeigu rankenos ir kiti įrankio laikymo paviršiai yra šlūsūs, netikėtose situacijose negalėsite įrankio saugiai laikyti ir valdyti.*
- b) **Dirbant aplinkoje, kurioje šlifukoilis gali užkliudyti elektros laidus arba savo maitinimo laidą, būtina elektros prietaisą laikyti už izoliuotus, specialiai tam skirtus, paviršius.** *Kontaktas su elektros laidais gali tapti elektros smūgio priežastimi.*
- c) **Metalių šlifavimo metu susidaro kibirkštys.** Todėl būtina pasirūpinti, kad susidarančios kibirkštys nekeltų niekam pavojaus bei pašalinti visas degias medžiagas. *Dėl susidarančių kibirkščių taip pat gali užsidegti šlifavimo metu susidarančios dulksės (6). Rizika didėja, kai dulksės yra sumaišytos su lako dalelėmis arba kitomis cheminėmis medžiagomis, o šlifuojamas paviršius įkaista. Todėl būtina pasirūpinti, kad šlifuojamas paviršius bei šlifukoilis neiškastų perlėgų bei reguliariai ištuštinti maišą su dulkelėmis.*
- d) **Darbo vietoje turi būti švaru.** *Ypač pavojingi yra medžiagų mišiniai. Lengvos metalo dulksės gali užsidegti arba sprogti.*
- e) **Kvėpavimas šlifavimo dulkelėmis yra kenksmingas sveikatai.** Tiesioginis kontaktas su dulkelėmis arba jų patekimas į plaučius gali būti alerginių reakcijų ir/arba kvėpavimo takų ligų priežastimi. Kai kurios medžiagos, pav. dažai su švinu, savo sudėtyje turi medžiagas, kurios gali būti toksinės. Tam kad sumažinti cheminių medžiagų neigiamą poveikį visada būtina užtikrinti gerą darbo vietos ventiliaciją bei dirbti naudojant patikimas, patikrintas apsaugos priemones, tokias kaip dulkių kaukes su P2 klasės filtrais, kurie buvo užprojektuoti specialiai mikro dalelių filtravimui. *Pagal galimybes naudokite dulkių siurbimo funkciją.*
- f) **Darbo metu visada dėvėkite apsauginius akinius.**
- g) **Naudokite klusos apsaugos priemones (ausines, ausų kamštukus).**
- h) **Naudokite apsaugines pirštines bei nelieskite besisukančios šlifavimo juostos.** *Tai gali būti rankų sužalojimo priežastimi.*
- i) **Darbo metu prietaisą laikykite tvirtai abiem rankomis.**
- j) **Draudžiama naudoti sudėvėtas, nešvarias šlifavimo juostas.** *Sunaudos šlifavimo juostas gali nutrūkti ir sukelti sužalojimus.*
- k) **Šlifukoilį įjunkite bei išjunkite tik tada, kai šlifavimo juosta (10) nesiliečia su apdorojamuoju paviršiumi, kitaip prietaisas gali iškristi iš rankų.**



ĮSPĖJIMAS! Bendri įspėjimai dėl saugaus įrankio naudojimo.

Remontas:

- a) **Garantinį ir pogarantinį elektros įrankių remontą atlieka PROFIX servisas, todėl garantuojama aukščiausia remonto darbų kokybė bei originalios atsarginės dalys.**
- b) **Jeigu sugedo elektros prietaiso laidas, jį pakeisti galima pas gamintoją, specializuotame remonto punkte arba gali tai atlikti specialistas tam, kad išvengtumėte pavojaus.**



ĮSPĖJIMAS!

Darbo su elektros prietaisu metu laikykitės pagrindinių saugaus darbo nuorodų. Tokiu būdu išvengsite gaisro, elektros smūgio bei mechaninių susižalojimų pavojaus.



ĮSPĖJIMAS!

JUOSTINĖ ŠLIFAVIMO MAŠINĖLĖ, saugaus darbo nuorodos:

- a) **Juostinė šlifavimo mašinėlė, toliau vadinama «šlifukoiliu», nėra atspari vandeniui, todėl ją galima naudoti tik sausam šlifavimui.** *Vandens įsiskverbimas į elektros prietaiso vidų gali tapti elektros smūgio priežastimi.*

ŠLIFUOKLIO SANDARA IR PASKIRTIS:

Juostinė šlifavimo mašinėlė tai rankinis elektros prietaisas, turintis vienfazį variklį. Tai antros klasės prietaisas (dviguba izoliacija).

Šlifukoilis yra skirtas sausam medinių, metalo bei sintetinių paviršių šlifavimui.

Draudžiama naudoti asbesto bei grafitą sudėtyje turinčioms medžiagoms šlifuoti.

Nenaudokite gipso paviršiams (gipso kartono plokščių siūlėms) bei panašioms medžiagoms. Smulkios dulksės įsiskverbiančios į prietaiso vidų blokuoja ventiliacines angas, o dėl to kaista variklis ir gali gesti.

Draudžiama naudotis prietaisu atliekant darbus reikalaujančius profesionalių įrenginių.

Kiekvienas elektros prietaiso panaudojimas ne pagal paskirtį sukelia garantijos praradimą bei gamintojas tokiu atveju nėra atsakingas už patirtas žalas.

Bet kokios prietaiso modifikacijos padarytos naudotoju atleidžia gamintoją nuo atsakomybės už žalas patirtas tokiu atveju naudotoju bei aplinkiniams.

Tinkamas naudojimas taip pat apima tinkama elektros prietaiso priežiūrą, sandėliavimą, transportavimą bei remontą.

Elektros prietaiso remontą galima atlikti tik specialiuose punktuose nurodytose gamintoju. Prietaisų, maitinamų elektra remontą gali atlikti tik įgalioti asmenys.

Nepaisant tinkamo prietaiso naudojimo negalima visiškai išvengti rizikos. Galimi rizikos atvejai:

- apdorojamos medžiagos arba jos dalies atmetimas;
- klausos pažeidimas dėl klausos apsaugos priemonių nenaudojimo;
- kenksmingų dulkių susidarymas dirbant uždarose patalpose.

KOMPLEKTAVIMAS:

- Šlifavimo mašinėlė - 1 vnt.
- Maišas dulkiems - 1 vnt.
- Šlifavimo juosta - 1 vnt.
- Anglies šepetėliai - 2 vnt.
- Aptarnavimo instrukcija - 1 vnt.
- Garantinis lapas - 1 vnt.
- Dėžė transportui – 1 vnt. (**tik TMT810K modeliui**)

PRIETAISO DALIS:

Prietaiso dalių numeracija atitinka grafines piešinius 2-3 puslapiuose aptarnavimo instrukcijos:

- Rys. A**
1. Papildoma rankena
 2. Greičio reguliavimo rankena (**tik modelyje TMT810K**)
 3. Jungiklis
 4. Jungiklio blokvavimas
 5. Pagrindinė rankena
 6. Maišas dulkiems
 7. Dulkių išmetimo anga
 8. Anglies šepetėlių išorinės angos
 9. Juostos padėties reguliavimo rankena
 10. Šlifavimo juosta
- Pav. B**
11. Juostos įtempimo dalba
 12. Maitinimo laidas
- Pav. C**
13. Juostos vedamieji rittinėliai

TECHINIAI DUOMENYS:

MODELIS	TMT810	TMT810K
Maitinimo įtampa	230 V	
Maitinimo dažnis	50 Hz	
Sunaudojamas pajėgumas	810 W	
Justos judėjimo greitis (m/min)	380	200-380
Šlifavimo juostos dydis	533x76 mm	
Prietaiso klasė	II/□	
Masė	3,2 kg	
Maitinimo laido ilgis	3 m	
Akustinio slėgio lygis (LpA)	96,4 dB(A), ±3dB(A)	
Akustinio pajėgumo lygis (LwA)	104,4 dB(A), ±3dB(A)	
Vibracijos lygis pagal IEC 62841-1 normą (matavimo paklaida K=1,5 m/s ²)	ah=4,674 m/s ²	

Pateiktas virpesių lygis yra reprezentatyvus pagrindiniams prietaiso panaudojimams. Jeigu elektros prietaisas bus panaudotas kitiems tikslams arba su kitais papildomais darbo įrankiais bei jeigu nebus tinkamai priežiūras, virpesių lygis gali skirtis.

Pateiktos aukščiau priežastys gali padidinti vibracijų lygį darbo metu.

Būtina panaudoti papildomas priemones, saugančias naudotoją nuo vibracijų pasekmių, pav.: prietaiso ir darbo įrankių priežiūra, veiksmų eilės nustatymas.

Deklaruotos bendros vibracijos ir triukšmo vertės išmatuotos, taikant standartinį bandymo metodą, ir gali būti naudojamos įrankių lyginimui.

Deklaruotos bendros vibracijos ir triukšmo vertės gali būti naudojamos pradiniam poveikio vertinimui.

Įspėjimai:

Vibracija ir triukšmas elektros įrankio naudojimo metu gali skirtis nuo deklaruojamos vertės, kadangi tai priklauso nuo įrankio naudojimo būdo ir apdirbamo objekto.

Būtina apibrėžti operatoriaus darbo saugos priemones. Jos turi remtis poveikio vertinimu realioje įrankio naudojimo situacijoje (atsižvelgiant į visas darbo ciklo dalis: laiką, kuomet įrankis yra išjungtas ir kuomet veikia tuščia eiga, išskyrus įjungimo laiką).

PARUOŠIMAS DARBUI:

1. Įsitikinkite, kad elektros maitinimo šaltinio parametrai atitinka šlifuko klio parametrus (šlifuko klio parametrai nurodomi prietaiso firmineje lentelėje).
2. Įsitikinkite, kad šlifuko klio jungiklis (3) yra „išjungtas“ pozicijoje.
3. Jeigu naudojamas prailgintuvas, būtina įsitikinti, kad jo parametrai, laidų skersmuo atitinka šlifuko klio parametrus. Patariama naudoti kuo trumpesnius prailgintuvus. Prailgintuvus turi būti išvyniotas visame ilgyje.

■ Maišo dulkiems montavimas (žiūrėkite pav. A, 2 p.)

DĖMESIO: Darbo metu visada būtina naudoti maišą dulkiems.

1. Uždėkite maišą dulkiems (6) ant dulkių išmetimo angos (7).
2. Įstumkite jį į angą kuo giliau, kad neišgriūtų darbo metu.

Nuimant maišą dulkiems atlikite visus veiksmus atvirkštine eiga. Kai dulkių maišas prisipildo maždaug iki pusės, būtina jį ištuštinti.

NAUDOJIMAS:

■ Jungimas / išjungimas

DĖMESIO: Šlifuko klij įjunkite bei išjunkite tik tada, kai šlifavimo juosta (10) nesiliečia su apdorojamuoju paviršiumi.

1. Norėdami įjungti šlifuko klij, paspauskite jungiklį (3) ir prilaikykite jį.
2. Norėdami užfiksuoti jungiklį įjungtoje pozicijoje, paspauskite jungiklio blokvimą (4).
3. Norėdami išjungti šlifuko klij, paleiskite jungiklį (3), o jeigu jis yra užblokuotas blokvimo mygtuku (4), paspauskite jį ir paleiskite.

■ Juostos judėjimo greičio nustatymas (tik modelyje TMT810K)

Greičio reguliavimo jungikliu (2) galima nustatyti pageidaujama juostos judėjimo greitį. Galima tai padaryti taip pat darbo metu. Juostos judėjimo greitis parenkamas pagal apdorojamos medžiagos tipą bei darbo sąlygas. Greitis parenkamas atliekant praktinį bandymą.

Rekomenduojama dirbti maksimaliu apsisukimu režimu. Leidžia tai optimaliai dirbti aušinimo sistemai, o tai prailgina variklio darbingumo laiką.

■ Šlifavimas

Apdorojamąją medžiagą pritvirtinkite, pav. naudojant spaustuvus.

Įjunkite prietaisą bei palaukite kol pradės dirbti maksimaliu greičiu. Po to atsargiai priartinkite šlifuko klij prie apdorojamo paviršiaus.

Darbo metu veskite šlifuko klij lygiagrečiai apdorojamajam paviršiui ir laikykite abiem rankomis. Spaudimas turi būti tolygus ir ne per stiprus (juosta negali sustoti). Jeigu šlifuko klij yra labai stipriai prispaudžiamas, susidėvi šlifavimo juosta, prietaisas yra perkrautas ir gali gesti variklis.

Medžiagos šalinimo nuo apdorojamo paviršiaus greitis ir apdorojimo kokybė priklauso nuo pasirinktos šlifavimo juostos bei jos judėjimo greičio. Kuo didesnis greitis, tuo medžiaga iš paviršiaus pašalinama greičiau ir paviršiaus apdorojimo kokybė didesnė.

Mediena šlifuokite pagal jos natūralias linijas. Jeigu šlifavimą atliksite skersai, efektas gali būti nepageidaujamas.

Juostos panaudotos metalo šlifavimui negalima naudoti kitiems medžiagoms.

DĖMESIO: Tik geros techninės būklės šlifavimo juostos garantuoja gerą kokybę bei saugo elektros prietaisą.

■ Šlifavimo juostos keitimas

DĖMESIO! Prieš pradėdami bet kokius aptarnavimo darbus, ruošiant prietaisą darbu įsitikinkite, kad prietaisas yra atjungtas nuo elektros maitinimo.

1. Patraukite juostos įtempimo dalį **(11)** į išorę tam, kad pašalinti blokavimą **(10)** (žiūrėkite pav. B, 2 p.).
2. Nuimkite panaudotą juostą nuo vedamųjų ritinėlių **(13)**.
3. Uždekite naują juostą **(10)** ant vedamųjų ritinėlių **(13)**; atkerpkite dėmesį ar juostos judėjimo kryptis (rodyklės juostos vidinėje pusėje) atitinka šlifuko klijų judėjimo kryptį (rodyklė virš užpakalinio ritinėlio) (žiūrėkite pav. C, 3 p.).
4. Patraukite dalį **(11)** iki galo ir įtempkite šlifavimo juostą.

■ Juostos judėjimo reguliavimas (žiūrėkite pav. D, 3 p.)

Įjunkite prietaisą mažu apsisukimu greičiu ir patikrinkite ar šlifavimo juostą **(10)** yra gerai uždėta ir juda tinkamai. Jeigu juostos kraštas išsaina daugiau negu 6 mm arba nesiekia krašto virš 6mm, pasinaudokite juostos reguliavimo rankena **(9)** ir nustatykite juostą tinkamoje padėtyje.

LAIKYMAS IR PRIEŽIŪRA:

Prietaisas beveik nereikalauja specialios priežiūros. Prietaisą laikykite vietoje nepasiekiamoje vaikams; prietaisas turi būti švarus bei saugomas nuo dulkių ir drėgmės. Laikymo sąlygos turi užtikrinti saugumą nuo mechaninių pažeidimų bei oro sąlygų poveikio.

■ Valymas



DĖMESIO! Prieš valant įsitikinkite, kad prietaiso kištukas yra išjungtas iš elektros maitinimo lizdo.

Prietaiso korpusas ir ventiliacinės angos turi būti švarios, negali jose būti dulkių arba kitų nešvarumų. Rekomenduojama valyti prietaisą po kiekvieno panaudojimo.

Išorinės plastikinės dalis valyti drėgnu skuduru ir švelniu valikliu. DRAUDŽIAMA naudoti tirpiklius – jie gali pažeisti plastmasines dalis. Į vidų negali patekti vanduo.

Kiekvieną kartą užbaigus darbą išvalykite ventiliacines angas suslėgtu oru, tokiu būdu bus saugomi goliai, pašalintos dulksės, kurios gali blokuoti variklį.

TIPIŠKI GEDIMAI IR JŲ ŠALINIMAS:

Elektros prietaiso neįjunkite arba sustabdykite darbą:

- patikrinkite ar maitinimo laidas **(12)** yra tinkamai prijungtas bei patikrinkite ar elektros lizde yra įtampa;
- patikrinkite anglies šepetėlių būklę ir pagal poreikį pakeiskite.

■ Anglies šepetėlių keitimas

Prietaisas turi išorines anglies šepetėlių angas **(8)**, kas leidžia lengvai jas

keisti, naudojant tam plokštį suktuvą be būtinybės atidaryti korpusą. Po to, kai anglies šepetėliai pakeisti, būtina užsukti tvirtinimo rankenėles iki galo. Šepetėlių būklę tikrinkite reguliariai. Minimalus šepetėlio grafito ilgis – 6 mm. Jeigu dirbsite su šepetėliais, kurių grafito ilgis yra mažesnis nei 6 mm, gali gesti rotorius komutatorius.

Keiskite šepetėlius tik poromis. Po šepetėlių keitimo įjunkite prietaisą 5 minutėms tuščiaja motoro eiga.

Techninės pagalbos kreipkitės į autorizuotą servisą.

TRANSPORTAS:

Šlifavimo mašinėlę transportuokite ir laikykite pakuotėje, saugančioje nuo drėgmės, dulkių ir smulkių objektų įsiskverbimo, ypač saugokite ventiliacines angas. Smulkūs elementai, patenkantys į korpusą gali pažeisti variklį.

APLINKOS APSAUGA:



DĖMESIO: Pateiktas simbolis reiškia, kad panaudotus prietaisus draudžiama išmesti kartu su kitomis atliekomis (už pažeidimą gresia piniginė bauda). Panaudoti elektros prietaisai bei elektroninės dalis ir komponentai turi neigiamą poveikį aplinkai ir žmonių sveikatai.

Namų ūkis turėtų prisidėti prie panaudotos įrangos utilizavimo bei pakartotinio medžiagų panaudojimo (perdirbimo). Lenkijoje ir Europoje yra kuriama arba jau veikia panaudotos įrangos surinkimo sistema. Todėl visi paminėtos įrangos pardavimo taškai yra įpareigoti priimti panaudotą įrangą. Be to yra specialūs panaudotos įrangos priėmimo taškai.

GAMINTOJAS:

PROFIX Sp. z o.o.,

Marywilka 34,

03-228 Varšuva, Lenkija

Šis prietaisas atitinka šalies bei Europos reikalavimus bei visus saugos reikalavimus.

DĖMESIO! Prietaiso remontą gali atlikti tik kvalifikuotas personalas, naudojant tik originalias atsargines dalis.

PIKTOGRAMAI:

Paveikslėlių esančių prietaiso firminėje lentelėje ir informaciniuose lipdukuose paaiškinimas:



– «Prieš įjungdami perskaitykite naudojimo instrukciją!»



– «Visada dėvėkite apsauginius akinius!»



– «Naudokite klausos apsaugos priemones!»



– «Naudokite dulkių kaukę!»



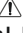
PROFIX įmonė siekia tobulinti savo produktus, todėl gali keistis produktų specifikacijos. Apie šiuos pasikeitimus įmonė nėra įpareigota nepranešti. Paveikslėliai esantis aptarnavimo instrukcijoje tai tik pavyzdžiai bei gali skirtis nuo nusipirkto prietaiso.

Ši instrukcija yra apsaugojama autoriaus teise. Kopijavimas/plėtojimas be PROFIX Sp. z o.o. leidimo raštu draudžiamas.

Az eredeti utasítások fordítása

**HASZNÁLAT ELŐTT OLVASSA EL EZEKET AZ UTASÍTÁSOKAT!**

Tartsa meg ezt az útmutatót későbbi tájékozódás céljából!

**FIGYELEM!** Olvassa el a  szimbólummal jelzett, a munkavédelemmel kapcsolatos összes figyelmeztetést és a biztonságos használatra vonatkozó összes utasítást!

A következő biztonsági előírások be nem tartása miatt baleset, áramütés, tűzveszély és/vagy komoly sérülés fordulhat elő!

Őrizze meg az összes munkavédelmi figyelmeztetést és utasítást későbbi felhasználás céljából!

Az alábbi figyelmeztetések során használt „elektromos szerszám” kifejezés olyan szerszámot jelöl, melynek áramellátása hálózatról (tápkábel) vagy akkumulátorral (kábel nélkül) történik.

**FIGYELEM!** Általános munkavédelmi szabályok:
Munkahelyi biztonság:

- Tartsa tisztán a munkaterületét és ügyeljen a jó megvilágításra!** A munkaterületén uralkodó rendtelenség balesetekhez vezethet.
- Ne dolgozzon elektromos szerszámmal robbanásveszélyes környezetben, gyulladásveszélyes folyadékok, gázok vagy folyadékok közelében.** Az elektromos szerszámok használata során szikra keletkezhet, mely belobbanthatja a port és a gőzöket.
- Tartsa távol a gyermekeket attól a helytől, ahol használja az elektromos szerszámot.** A figyelemelterelés miatt elveszítheti kontrollját az elektromos szerszám felett.

**FIGYELEM!** A szerszám biztonságos használatával kapcsolatos általános szabályok:**Elektromos biztonság:**

- Az elektromos szerszám csatlakozó dugója meg kell feleljen az aljzattal. Tilos a csatlakozó dugó módosítása! Tilos hosszabbítók használata a védőföldeléses kábelrel ellátott elektromos szerszámok esetében!** A csatlakozó dugók és aljzatok módosítása növeli az áramütés kockázatát!
- Kerülje a testi érintkezést a földelt felületekkel vagy tárgyakkal, mint a csövek, fűtőtestek, fűtőradiátorok vagy hűtőszekrények!** A földelt részekkel való érintkezés esetén nő az áramütés kockázata!
- Ne tegye ki esőnek vagy nedves környezetnek az elektromos szerszámot!** Víz behatolása esetén nő az áramütés kockázata!
- Ne erőltesse a csatlakozó kábel! Ne használja a hálózati kábelt a szerszám mozgatására, húzására vagy a csatlakozó dugó aljzattól történő kihúzására.** Tartsa távol a hálózati kábelt hőforrásoktól, olajtól, éles szélektől és mozgó alkatrészekről! A sérült vagy összegabalyodott kábelek növelik az áramütés kockázatát!
- Amennyiben az elektromos szerszámot a szabadban használja, a csatlakozást a szabadban történő használatra alkalmas kültéri hosszabbítókkal kell megoldani.** A szabadban történő használatra alkalmas hosszabbítók használata csökkenti az áramütés kockázatát.
- A berendezést 30mA vagy kisebb kioldó áramú védőkapcsolós (RCD) elektromos hálózatra javasolt kapcsolni csatlakoztatni.**

- Amennyiben az elektromos szerszámot nedves környezetben használja, elkerülhetetlen egy feszültségvédelmi eszköz használata, mint egy hibaáram védelmi kapcsolóé (RCD).** Az RCD használata csökkenti az áramütés kockázatát.

**FIGYELEM!** A szerszám használatának biztonságával kapcsolatos általános figyelmeztetések:**Személyi biztonság:**

- Ez a berendezés nem használható csökkentett fizikai, szenzoriális vagy mentális képességű személyek (beleértve a gyermekeket is), tapasztalattal nem rendelkező személyek vagy olyan személyek által, akik nem ismerik a berendezést, kivételt képeznek azok a helyzetek, amikor a berendezés használata felügyelet alatt vagy a használati utasítások betartásával történik egy, a biztonságért felelős személy által.**
- Legyen figyelmes, összpontosítson arra, amit csinál és legyen mindig annak tudatában, hogy elektromos szerszámmal dolgozik!** Ne használja az elektromos szerszámot, ha fáradt, ha kábítószert, alkoholt vagy gyógyszer befolyása alatt áll! Elektromos szerszám használatánál egy pillanattal figyelmetlenség is komoly sérülések okozója lehet!
- Hordjon védőruházatot! Minden esetben viseljen védőszemüveget!** Olyan védőruházat hordása mint a porvédő maszk, csúszásbiztos cipő, fülvédő vagy hallásvédő csökkenti a sérülések kockázatát!
- Kerülje el, hogy az elektromos szerszám véletlenül bekapcsoljon!** A hálózati áramforrásra történő csatlakozás és/vagy az akkumulátor csatlakoztatása, valamint a szerszám felemelése vagy mozgatása előtt, győződjön meg arról, hogy az elektromos szerszám kapcsolója kikapcsolt állapotban van! Az elektromos szerszám mozgatása vagy bekapcsolt állapotban történő használata balesetet okozhat!
- Az elektromos szerszám beindítása előtt távolítsa el minden szerszámot a közelből!** Az elektromos szerszám mozgó részein hagyott szerszámok sérüléseket okozhatnak!
- Ne hajtjon le mélyen! Álljon biztosan és tartsa meg az egyensúlyát!** Ez az elektromos szerszám jobb ellenőrzését teszi lehetővé váratlan helyzetekben.
- Ötözzön fel megfelelően! Ne hordjon bő ruházatot vagy ékszert!** Haját kösse be, ruházatát és kesztyűjét tartsa távol a mozgó alkatrészekről! A bő ruházat, az ékszer és a hosszú haj beleakadhat a mozgó alkatrészekbe.
- Amennyiben a berendezés alkalmas külső porszívó és porgyűjtő csatlakoztatására, győződjön meg arról, hogy ezek helyesen lettek csatlakoztatva és használva.** A porgyűjtő használata csökkentheti a porral járó veszélyek kockázatát.
- Ne engedje, hogy az elektromos szerszám gyakori használatára során szerzett jártasság hatására túlzott magabiztossá váljon és figyelmen kívül hagyja a biztonsági szabályokat.** A figyelmen kívül hagyás alatt súlyos testi sérülést okozhat.

**FIGYELEM!** A szerszám biztonságos használatára vonatkozó általános figyelmeztetések:**Az elektromos szerszám használata és gondozása:**

- Ne terhelje túl az elektromos szerszámot!** Az elvégzendő

munkához szükséges teljesítmény függvényében használjon elektromos szerszámokat! A megfelelő elektromos szerszám jobb működést és biztosabb terhelést tesz lehetővé.

- b) Tilos az elektromos szerszám használata, ha a kapcsoló nem indítja el és nem állítja meg a szerszámot! Minden elektromos szerszám, amely nem indul el vagy nem áll meg, veszélyes és meg kell javítani!
- c) Minden beállítás, alkatrészcsere vagy tárolás előtt húzza ki a csatlakozó dugót az elektromos szerszám hálózati áramforrásából és/vagy vegye ki az akkumulátort! Ezek a biztonsági intézkedések csökkentik az elektromos áram véletlenszerű bekapcsolását.
- d) A használaton kívüli elektromos szerszámot gyermekektől távol kell tárolni, és nem szabad kölcsön adni olyan személyeknek, akik nem ismerik az elektromos szerszámot vagy nem olvasták el annak használati utasításait! Az elektromos szerszám veszélyes, ha tapasztalat nélküli személy használja!
- e) Az elektromos szerszámot karban kell tartani! Ellenőrizni kell a mozgásban lévő alkatrészek vonalbeállítását vagy zavarát, az alkatrészek törését és egyéb tényezőket, melyek befolyásolhatják az elektromos szerszám működését! Ha rongálódást észlelünk, az elektromos szerszámot még használat előtt meg kell javítani! Számos baleset oka az elektromos szerszám nem megfelelő karbantartása.
- f) A vágószerszámok élesek és tiszták kell legyenek! A vágószerszámok éles alkatrészeinek karbantartása csökkenti az anyagba történő beakadás kockázatát és megkönnyíti a használatot.
- g) Az elektromos szerszámot, a berendezést, a munkaszerszámokat, stb. jelen utasításoknak megfelelően kell használni, figyelembe véve a munka jellegét és feltételeit. Az elektromos szerszám rendeltetésétől eltérő használata veszélyes helyzeteket okozhat.
- h) Alacsony hőmérsékleten vagy hosszabb használaton kívüli idősközvetően ajánlott az elektromos szerszám teher nélküli elindítása néhány percra a kenőanyag átviteli mechanizmusba történő helyes elosztása érdekében.
- i) Az elektromos szerszám tisztításához puha, nedves (nem vizes) rongyot és szappant használjon! Ne használjon benzint, oldószert vagy egyéb anyagokat, amelyek károsíthatják a berendezést!
- j) Az elektromos szerszámot csak azután lehet tárolni/szállítani, miután megbizonyosodtunk arról, hogy minden mozgó eleme rögzítésre és biztosításra került a rögzítésre szánt eredeti elemek segítségével.
- k) Az elektromos szerszámot száraz helyen kell tartani, védve a portól és a nedvségtől.
- l) Az elektromos szerszám szállítása az eredeti csomagolásban történhet, megvédve ezáltal a mechanikai sérülésektől.
- m) A markolatot és a fogófelületeket tisztán, olaj- és kenőanyagtól mentesen kell tartani. A csúszós markolatok és fogófelületek lehetetlenné teszik a szerszám biztonságos fogását és felügyeletét az esetleges váratlan szituációkban.



FIGYELEM! A szerszám biztonságos használatára vonatkozó általános figyelmeztetések:

Javítás:

- a) Az elektromos szerszámok garanciális és garancia utáni javítását a PROFIX Szerviz végzi, ami garantálja a javítás kiváló minőségét és az eredeti alkatrészek használatát.
- b) Amennyiben a tápkábel sérült, a gyártónál vagy egy speciális javítóműhelyben vagy egy szakember által újjal kell kicserélni a balesetek elkerülése érdekében.



FIGYELEM!

Az elektromos szerszám használati ideje alatt ajánlott betartani a munkabiztonsági alapszabályokat a tüzesetek, áramütés vagy mechanikai sérülések elkerülése érdekében.



FIGYELMEZTETÉS! SZALAGCSISZOLÓ, különösen a berendezés biztonságos használatára vonatkozó részletes útmutatók:

- a) A szalagcsiszoló, továbbiakban «csiszoló», nem vízálló berendezés, kizárólag száraz csiszolásra szabad használni. A víz elektromos szerszamba történő bejutása áramütéssel fenyeget.
- b) Az elektromos szerszámot az erre a célra kialakított szigetelt részen kell fogni olyan munkavégzés során, amikor az elektromos szerszám érintkezhet a feszültség alatt lévő vezetékkel vagy a saját tápvezetékével. A „feszültség alatt lévő vezetékkel” való érintkezés azt eredményezheti, hogy az elektromos szerszám fém elemei a feszültség alá kerülhetnek, ami áramütéssel veszélyezteti a kezelőszemélyt.
- c) Fém csiszolásakor szikrák keletkeznek. Ügyelni kell arra, hogy a munkavégzés során keletkező szikrák senkire se jelentsenek veszélyt és minden gyúlékony anyagot távolítson el a munkavégzés közeléből. A szikrázás a porzsákban (6) lévő csiszolópor öngyulladásához is vezethet. Tovább növeli a kockázatot, ha ez a por kapcsolatba lép a lakk, poliuretán vagy más vegyi anyagok utáni hulladékkal, míg az anyag hosszú termikus megmunkálás után kerül csiszolásra. Ezért kerülni kell a csiszolt anyag és a csiszoló felhevülését, valamint mindig ki kell üríteni a porzsákat a munkavégzés szüneteiben és a munkavégzés végétével.
- d) A munkavégzés helyét tisztán kell tartani. Az anyagok keveréke különösen veszélyes. A könnyűfém por meggyulladhat (6) felrobbanhat.
- e) A csiszolópor belélegzése káros az emberi egészségre. A porokkal való közvetlen testi kapcsolat vagy azok belélegzése allergiás reakciót és/vagy légzőszervi megbetegedést válthat ki a felhasználónál vagy a közelben tartózkodó személynél. Némely anyagok, pl. az ólomtartalmú festékekbevonók olyan vegyi anyagokat tartalmazhatnak, amelyek károsak lehetnek. E vegyületek hatásának a csökkentéséhez mindig ügyelni kell a munkahely megfelelő szellőztetésére és ellenőrzött, biztonságos védőfelszerelésben kell dolgozni, mint pl. P2 enyvelő arcvédő maszkban, amelyek speciálisan mikroszopikus szűrőkre szűrésre lettek kidolgozva. A lehetőségek szerint poreszívót kell használni.
- f) A munkavégzés során minden esetben védőszemüveget kell viselni a por szembejutásának az elkerülése végett.
- g) Fülvédőt kell viselni (fülvédő, fül dugó).
- h) Védőkesztyűt kell viselni és sohasem szabad megérinteni a mozgásban lévő szalagcsiszolót. A szalagcsiszoló megérintése a tenyér sérülésével fenyeget.
- i) A munkavégzés során a berendezést két kézzel biztosan kell fogni.

- j) **Nem szabad sérült, kopott vagy erősen szennyezett csiszolószalagot használni.** A sérült csiszolószalag elszakadhat, visszaverődhet és testi sérülést okozhat.
- k) **A csiszoló csak akkor szabad bekapcsolni és kikapcsolni, amikor a csiszolószalag (10) nem érintkezik a megmunkált anyaggal, ellenkező esetben az elektromos szerszám kivágódhat a kézből.**

ACSISZOLÓ FELÉPÍTÉSE ÉS RENDELTETÉSE:

A szalagcsiszoló egy egyfázisú, kommutátoros motorral meghajtott kézi elektromos szerszám. Második védelmi fokozatú berendezés (kettős szigetelés).

A csiszoló fa, fahasználó, fém, műanyag felületek száraz csiszolására szolgál.

Tilos azbeszthez és grafitot tartalmazó anyaghoz használni.

A szerszámot nem szabad gipsz (gipszkarton lemez varratok) vagy ehhez hasonló felületek megmunkálásához használni. Az apró porszemek a szerszámba jutva a szellőztető terek eldugulását, ezáltal a motor túlmelegedését és leégését okozzák.

Tilos a szerszámot olyan munkálatokhoz használni, amelyek professzionális szerszám használatát igénylik. A csiszoló minden fentebb megadott rendeltetéstől eltérő használatra tilos és az a garancia megszűnését eredményezi, illetve felmenti a gyártót az ilyen nemű használat okozta károk felelőssége alól.

A berendezés sajátkezü átalakítása felmenti a gyártót a felhasználóban és a környezetben keletkezett sérülések és károk felelőssége alól.

A csiszoló helyes használata a szerszám karbantartására, tárolására, szállítására és javítására is kiterjed.

A csiszoló kizárólag a gyártó által megjelölt szervizekben kerülhet megjavításra. Az elektromos hálózatról táplált berendezések javítását kizárólag erre feljogosított személyek végezhetik.

A rendeltetésnek megfelelő használat ellenére sem lehet teljesen kizárni a maradékkockázat meghatározott tényezőit. A gép szerkezetére és felépítésére való tekintettel a következő veszélyhelyzetek léphetnek fel:

- megmunkált anyag vagy a megmunkált anyag darabjának a visszaverődése;
- halláskárosodás megfelelő fülvédő használatának az elhagyása esetén;
- az emberi egészségre káros por kibocsátása zárt helyiségben végzett munkálatok esetén.

TARTOZÉKOK:

- Csiszoló - 1db
- Porzsák - 1db
- Csiszolószalag - 1db
- Szénkefe - 2db
- Használati útmutató - 1db
- Garanciakártya - 1db
- Szállító koffer - 1db (csak a TMT810K modell esetében)

A BERENDEZÉS ELEMEI:

A berendezés elemeinek a számozása a használati útmutató 2-3 oldalain felvázolt grafikai ábrára vonatkozik:

A. ábra 1. Segédmarkolat

2. Fordulatszám szabályozó (csak a TMT810K modell esetében)

3. Kapcsológomb
4. Kapcsológomb zár
5. Főmarkolat
6. Porzsák
7. Porkivezető fűvóka
8. Szénkefék külső aljzata
9. Szalag pozíció szabályozó forgatógomb
10. Csiszolószalag

B. ábra 11. Szalagfeszítő kar

12. Tápvezeték

C. ábra

13. Vezetőgörgők

SPECIFIKÁCIÓK:

TÍPUS	TMT810K	TMT810K
Névleges feszültség	230 V	
Névleges frekvencia	50 Hz	
Névleges teljesítmény	810 W	
Szalagmozgás sebessége (m/perc)	380	200-380
Csiszolószalag mérete	533x76 mm	
Berendezés osztálya	II/□	
Súly	3,2 kg	
Tápkábel hossza	3 m	
Hangnyomás szint (LpA)	96,4 dB(A), ±3dB(A)	
Hangerő szint (LwA)	104,4 dB(A), ±3dB(A)	
IEC 62841-1 szabvány szerinti vibrációs szint (mérési tolerancia K = 1,5m/s ²)	ah=4,674 m/s ²	

Az említett vibrációs szint reprezentatív az elektromos készülék használata szempontjából. Amennyiben az elektromos készülék más célból vagy egyéb munkaeszközzel kerül használatra, illetve ha karbantartása nem megfelelő, a vibrációs szint eltérhet a megjelölttől. A fent említett okok a vibrációs expozíció szintje növekedéséhez vezethetnek a működés teljes ideje alatt.

Kiegészítő védelmi eszközöket kell használni, melyek célja a vibrációs expozíció kezelőre gyakorolt hatásaitól való védelem, mint pl.: Elektromos készülék és munkaeszközök karbantartása, a kezek megfelelő hőmérsékletének biztosítása, a munkatevékenységek sorrendjének megállapítása.

A megadott rezgésszint és a megadott zajkibocsátás mérése szabványos vizsgálati módszerrel történt és felhasználható a szerszámok összehasonlítására.

A megadott rezgésszint és a megadott zajkibocsátás felhasználható a kezdeti expozíció megállapítására.

Figyelmeztetések:

Az elektromos szerszám tényleges használata során a rezgésszint és a zajkibocsátás eltérhet a megadott értékektől, attól függően, hogyan használja a szerszámot, különösen függ a megmunkált anyag típusától.

A kezelőszemély biztonsága érdekében meg kell határozni a biztonsági intézkedéseket, melyek a valós használat alatti expozíció megbecsülésén alapszik (figyelembe véve a művelet összes folyamatát, amikor a szerszám ki van kapcsolva, és amikor üresjáraton van, a kioldási idő kivételével).

AMUNKA ELŐKÉSZÍTÉSE:

1. Győződjön meg róla, hogy a tápforrás paraméterei megegyeznek a csiszoló adattábláján megadott paraméterekkel.
2. Győződjön meg róla, hogy a csiszoló kapcsológombja (3) kikapcsolt pozícióban van.
3. Hosszabbító alkalmazása esetén győződjön meg róla, hogy a hosszabbító paraméterei, a vezeték keresztmetszete megfelel a csiszoló paramétereinek. A lehető legrövidebb hosszabbítót ajánlatos használni. A hosszabbítót teljesen ki kell tekerni.

■ Porzsák felszerelése (lásd A. ábrát, 2. oldal)

FIGYELEM: Egészségügyi okokra való tekintettel a munkavégzés során mindig kell porzsákat használni.

1. Helyezze fel a porzsákat (6) a porkivező fűvókára (7).
2. Nyomja rá erősen a fűvókára, a lehető legmélyebben, hogy ne essen le a munkavégzés során.

A porzsák eltávolítása fordított sorrendben történik. A leghatékonyabb munkaeredmény eléréséhez akkor kell kiüríteni a porzsákat, amikor az megközelítőleg félig van megtelve.

KEZELÉS:

■ Bekapcsolás/kikapcsolás

FIGYELEM: A csiszolót csak akkor szabad bekapcsolni és kikapcsolni, amikor a csiszolószalag (10) nem érintkezik a megmunkált anyaggal.

1. A csiszoló bekapcsolásához nyomja meg és tartsa benyomva a kapcsológombot (3).
2. A kapcsológomb bekapcsolt pozícióban történő zárolásához nyomja meg a kapcsológomb zárat (4).
3. A csiszoló kikapcsolásához engedje el a kapcsológombot (3), vagy ha be van biztosítva a kapcsológomb zárral (4), nyomja meg, majd engedje el.

■ Szalagmozgatás sebességének a beállítása (csak a TMT810K modell esetében)

A sebességszabályozó forgatógombbal (2) lehet beállítani a szalagmozgatás kívánt sebességet. Ezt a munkavégzés során is módosítani lehet. A szalagmozgatás kívánt sebessége a megmunkált anyagtól és a munkafeltételektől függ. Ezt gyakorlati próbával lehet megállapítani.

Maximális fordulatszámon ajánlatos dolgozni. Ez lehetővé teszi a motor optimális hűtését, ami meghosszabbítja a berendezés élettartamát.

■ Csiszolás

Leerőzíteni a megmunkált anyagot stabil felületen vagy egy satuval.

Kapcsolja be a berendezést és várja meg, míg eléri a maximális fordulatszámot. Ezután óvatosan érintse meg a csiszolóval a megmunkált anyag felületét.

A csiszolás során a csiszolót a megmunkált anyaggal párhuzamosan két kézzel kell vezetni. A felületre kifejtett nyomás legfeljebb akkora lehet, hogy az ne okozza a szalagmozgatás lassulását. A túl nagy erőfelfejtés a csiszolószalag túlságos kopását, a gép túlterhelését és a motor tekeréskelésében visszafordíthatatlan sérülést okozhat.

Az anyag eltávolításának a kapacitása a csiszolás során és a felület megmunkálásának a minősége elsősorban a kiválasztott csiszolószalagtól és a kiválasztott szalagmozgatási sebességtől függ. Minél gyorsabb a szalagmozgatás, annál nagyobb mennyiségű az eltávolított anyag és pontosabb a felület megmunkálása.

A fát mindig az évyűrük irányába kell csiszolni – az évyűrű

keresztirányú csiszolásával nem kívánatos eredményt lehet elérni.

A fém megmunkálásához használt csiszolószalagot nem szabad más anyag megmunkálásához használni.

FIGYELEM: Kizárólag a műszakilag kifogástalan állapotban lévő csiszolószalag garantál megfelelő megmunkálási kapacitást és előzi meg az elektromos szerszám sérülését.

■ Csiszolópapír cseréje

FIGYELEM! A berendezés kezelésével és munkakész állapotba hozatalával kapcsolatos bármilyen munkálatok megkezdése előtt meg kell győződni róla, hogy a szerszám le van kapcsolva az elektromos hálózatról.

1. Húzza ki a szalagfeszítő kart (11) a csiszolószalag feloldásához (10) (lásd: B., ábra, 2. old).
2. Húzza le az elkopott csiszolószalagot a vezetőgörgőkről (13).
3. Tolja fel az új csiszolószalagot (10) a vezetőgörgőre (13) ügyelve arra, hogy a csiszolószalag forgásiránya (a csiszolószalag belső oldalán lévő nyílak) megegyezzen a csiszoló forgásirányával (hátsó vezetőgörgő fölötti nyíl) (lásd C. ábra, 3. oldal).
4. Húzza hátra a szalagfeszítő kart (11) a csiszolószalag megfeszítéséhez.

■ Szalagpálya szabályozása (lásd D. ábra, 3. oldal)

Kapcsolja be a berendezést kis fordulatszámon és ellenőrizze, hogy a csiszolószalag (10) megfelelő pozícióban van. Ha a szalag széle kiáll az aljzat széléről vagy több mint 6 mm-re van az aljzat szélétől, használja a szalagpálya szabályozó forgatógombot (9) a szalagpálya kiegyenlítéséhez.

TÁROLÁS ÉS KARBANTARTÁS:

Az elektromos szerszám alapjaiban véve nem igényel speciális karbantartási műveletet. A fűró-csavarozót gyermekektől elzárva tárolni, tiszta állapotban tartani, óvni a nedvességtől és a portól. A tárolási feltételeknek lehetetlenné kell tenniük a gép mechanikus sérülését és a káros légköri tényezők hatását.

■ Tisztítás



FIGYELEM! A tisztítási és karbantartási műveletek végrehajtása előtt meg kell győződni róla, hogy a berendezés le van kapcsolva a tápellátásról.

A biztonságos és nagy teljesítményű munkavégzéshez az elektromos szerszámot és a szellőző réseket tisztán kell tartani. Ajánlatos a berendezést minden használat után minden alkalommal megtisztítani.

A külső műanyag elemeket vedves szövetkendővel és enyhe tisztítószerrel lehet megtisztítani. SOHASEM szabad oldószert használni – sérülést okozhatnak a berendezés műanyagból készült elemeiben. Ügyelni kell arra, hogy ne jusson be víz a berendezés belsejébe.

A munkavégzés végzetével ajánlatos alacsony nyomású sűrített levegővel átfújni a szellőzőnyílásokat, ami megelőzi a csapágyak sérülését és eltávolítja a motort hűtő levegő beáramlását megakadályozó port.

TÍPIKUS MEGHIBÁSODÁSOK ÉS AZOK ELTÁVOLÍTÁSA:

Az elektromos szerszám nem kapcsol be vagy leáll a működés során:

- ellenőrizni, hogy a tápvezeték (12) megfelelően van csatlakoztatva és van áram;
- ellenőrizni a szénkefék állapotát és szükség esetén kicserélni őket.

■ Szénkefék cseréje

A gép külső szénkefe aljzattal (8) rendelkezik, amely lehetővé teszi a kefék könnyű cseréjét egy széles lapos csavarozóval anélkül, hogy szét kelljen szerelni a készülékházat. A keferögzőt dugók cseréje után ellenállásig húzni. A kefék állapotát rendszeresen ellenőrizni kell. A kefe grafit elemének a minimális hossza 6 mm. A 6 mm-nél rövidebb kefékkel végzett munka a rotor kommutátor sérüléséhez vezethet.

A keféket párosával kell cserélni. A kefék cseréje után a berendezést 5 percen át üresjáratban kell járattatni.

Műszaki probléma esetén kérjük lépjen kapcsolatba a feljogosított szervizzel.

SZÁLLÍTÁS:

Az elektromos szerszámot a nedvesség, a por és az apró részecskék okozta szennyeződéstől védő szállító kofferben szállítani és tárolni, különösen a szellőző nyílásokat kell bebiztosítani. A gép belsejébe kerülő apró részecskék a motor károsodását okozhatják.

KÖRNYEZETVÉDELME:



FIGYELEM! Ez a jel azt jelöli, hogy a használt készüléket tilos egyéb hulladékkal egy helyen elhelyezni (pénzbüntetés terhe mellett). Elektromos és elektronikus gépek veszélyes alkotórészei negatívan befolyásolják a környezetet és az emberek egészségét.

Minden háztartásnak hozzá kell járulnia a használt készülékek visszanyeréséhez és újrahasznosításához. Úgy Lengyelországban, mint Európában megszervezzük vagy már létezik a használt készülékek gyűjtési rendszere, melynek keretében az adott készülék minden értékesítési

helyén kötelesek átvenni a használt készüléket. Ezenkívül léteznek ilyen típusú készülékek gyűjtő központjai is.

GYÁRTÓ:

PROFIX Sp. z o.o.,

ul. Marywilska 34, 03-228 Warszawa, LENGYELORSZÁG

Ez a gép megfelel a nemzeti és európai szabályoknak, valamint a biztonsági előírásoknak.

FIGYELEM! Minden javítást szakképzett személy végezhet, kizárólag eredeti cserealkatrészt használva!

PIKTOGRAMOK:

A névleges táblázatban szereplő rajzok magyarázata:



– «Bekapcsolás és működtetés előtt olvassa el a használati utasításokat!»



– «Védőszemüveg használata kötelező!»



– «Hallásvédő használata kötelező!»



– «Porvédő maszk használata kötelező!»



A PROFIX cég politikája az, hogy folyamatosan tökéletesítse termékeit, ezért fenntartja magának azt a jogot, hogy a termék specifikációit előzetes tájékoztatás nélkül módosítsa! A használati utasításokban megjelölt ábrák csak példák, ezek kicsit eltérhetnek a megvásárolt eszköz valódi arculatótól!

Jelen használati utasítást szerzői jogok védik. A PROFIX Sp. z o.o. társaság írásos hozzájárulása nélküli másolása/sokszorosítása tilos!

DT-C2/d_zg/0294/07

Łomna Las: 2023.07.10

(EN) EC/EU DECLARATION OF CONFORMITY
(PL) DEKLARACJA ZGODNOŚCI WE/UE
(RO) DECLARAȚIE DE CONFORMITATE CE/UE

(LV) EK/ES ATBILSTĪBAS DEKLARĀCIJA
(LT) EB/ES ATITIKTIES DEKLARACIJA
(CS) ES/EU PROHLÁŠENÍ O SHODĚ

(HU) EK/EU-MEGFELELŐSÉGI NYILATKOZATA

(EN) MANUFACTURER (PL) PRODUCENT (RO) PRODUCĂTOR (LV) RAŽOTĀJS (LT) GAMINTOJAS (CS) VÝROBCE (HU) GYÁRTÓ

PROFIX Sp. z o.o. ul. Marywińska 34, 03-228 Warszawa

(EN) Person who was authorized to develop technical documentation: (LT) Asmuo įgaliojotas parengti techninę dokumentaciją:
(PL) Osoba upoważniona do przygotowania dokumentacji technicznej: (CS) Osoba oprávněna připravit technickou dokumentaci:
(RO) Persoana împuternicită pentru pregătirea documentației tehnice: (HU) Műszaki dokumentáció elkészítésére meghatalmazott személy:
(LV) Persona atbildīga par tehniskās dokumentācijas sagatavošanu: (HU) Műszaki dokumentáció elkészítésére meghatalmazott személy:

Mariusz Rotuski, Centrum Dystrybucyjno-Handlowe PROFIX, ul. Dobra 3, Łomna Las, 05-152 Czosnów

(EN) Belt Sander (PL) Szlifierka taśmowa (RO) Șlefuitor cu bandă (LV) Lentas Slīpmašīna (LT) Juostinė šlifavimo mašinėlė (CS) Pásová bruska (HU) Szalagsziszoló

TRYTON TMT810K

S1T-YH11-76xA

230 V; 50 Hz; 810 W; kl. II; n_o: 200-380 m/min

S2324 -...- S2753

TRYTON TMT810

S1T-YH11-76x

230 V; 50 Hz; 810 W; kl. II; n_o: 380 m/min

(EN) The object of the declaration described above is in conformity with the relevant Union harmonisation legislation: (PL) Wymieniony powyżej przedmiot niniejszej deklaracji jest zgodny z odnosnymi wymaganiami unijnego prawodawstwa harmonizacyjnego: (RO) Obiectul declarației descris mai sus este în conformitate cu legislația relevantă de armonizare a Uniunii: (LV) Iepriekš aprakstītais deklarācijas priekšmets atbilst attiecīgajam Savienības saskaņošanas tiesību aktam (LT) Pirmiau aprašytas deklaracijos objektas atitinka susijusių derinamuosius Sąjungos teisės aktus: (CS) Výše popsaný předmět prohlášení je ve shodě s příslušnými harmonizačními právními předpisy Unie: (HU) A fent ismertetett nyilatkozat tárgya megfelel a vonatkozó uniós harmonizációs jogszabálynak:

(EN) 2006/42/EC (OJ L 157, 9.6.2006, p. 24–86); 2014/30/EU (OJ L 96, 29.3.2014, p. 79–106); 2011/65/EU of the European Parliament and of the Council of 8 June 2011 on the restriction of the use of certain hazardous substances in electrical and electronic equipment (OJ L 174, 1.7.2011, p. 88–110) change 2015/863/UE;
(PL) 2006/42/WE (Dz.U. L 157 z 9.6.2006, str. 24–86); 2014/30/UE (Dz.U. L 96 z 29.3.2014, str. 79–106); 2011/65/UE z dnia 8 czerwca 2011 r. w sprawie ograniczenia stosowania niektórych niebezpiecznych substancji w sprzęcie elektrycznym i elektronicznym (Dz.U. L 174 z 1.7.2011, str. 88–110), zmiana 2015/863/UE;
(RO) 2006/42/CE (JO L 157, 9.6.2006, p. 24–86); 2014/30/UE (JO L 96, 29.3.2014, p. 79–106); 2011/65/UE a Parlamentului European și a Consiliului din 8 iunie 2011 privind restricțiile de utilizare a anumitor substanțe periculoase în echipamentele electrice și electronice (JO L 174, 1.7.2011, p. 88–110) schimbare 2015/863/UE;
(LV) 2006/42/EK (OV L 157, 9.6.2006, 24./86. lpp.); 2014/30/ES (OV L 96, 29.3.2014., 79./106. lpp.); 2011/65/ES (2011. gada 8. jūnijs) par dažu bīstamu vielu izmantošanas ierobežošanu elektriskās un elektroniskās iekārtās (OV L 174, 1.7.2011., 88./110. lpp.) maiņa 2015/863/UE;
(LT) 2006/42/EB (OL L 157, 2006 m. 9, p. 24–86); 2014/30/ES (OL L 96, 2014 m. 3 29, p. 79–106); 2011/65/ES 2011 m. birželio 8 d. dėl tam tikrų pavojingų medžiagų naudojimo elektros ir elektroninėje įrangoje apribojimo (OL L 174, 2011 7 1, p. 88–110); pokytis 2015/863/UE;
(CS) 2006/42/ES (Úř. věst. L 157, 9.6.2006, s. 24–86); 2014/30/EU (Úř. věst. L 96, 29.3.2014, s. 79–106); 2011/65/EU ze dne 8. června 2011 o omezení používání některých nebezpečných látek v elektrických a elektronických zařízeních (Úř. věst. L 174, 1.7.2011, s. 88–110) změna 2015/863/UE;
(HU) 2006/42/EK (HL L 157., 2006.6.9., 24–86. o.); 2014/30/EU (HL L 96., 2014.3.29., 79–106. o.); 2011/65/EK irányelve (2011. június 8.) egyes veszélyes anyagok elektromos és elektronikus berendezésekben való alkalmazásának korlátozásáról (HL L 174., 2011.7.1., 88–110. o.) változás 2015/863/UE;

(EN) References to the relevant harmonised standards used or references to the other technical specifications in relation to which conformity is declared:
(PL) Odniesienia do odnosnych norm zharmonizowanych, które zastosowano, lub do innych specyfikacji technicznych, w stosunku do których deklarowana jest zgodność:
(RO) Trimiteri la standardele armonizate relevante folosite sau trimeri la celelalte specificații tehnice în legătură cu care se declară o conformitate:
(LV) Atsauces uz attiecīgajiem izmantotajiem saskaņotajiem standartiem vai uz citām tehniskajām specifikācijām, attiecībā uz ko tiek deklarēta atbilstība:
(LT) Susijusių taikytų darnųjų standartų nuorodos arba kitų techninių specifikacijų, pagal kurias buvo deklaruota atitikties, nuorodos:
(CS) Odkazy na příslušné harmonizované normy, které byly použity, nebo na jiné technické specifikace, na jejichž základě se shoda prohlašuje:
(HU) Az alkalmazott harmonizált szabványokra való hivatkozás vagy az azokra az egyéb műszaki leírásokra való hivatkozás, amelyekre I kapcsolatban megfeleléségi nyilatkozatot tették.

EN 62841-1:2015+A11:2022 EN 62841-2-4:2014
EN IEC 55014-1:2021 EN IEC 55014-2:2021 EN IEC 61000-3-2:2019+A1:2021 EN 61000-3-3:2013+A1:2019+A2:2021
IEC 62321-1:2013 IEC 62321-2:2013 IEC 62321-3-1:2013 IEC 62321-4:2013+A1:2017 IEC 62321-5:2013 IEC 62321-6:2015 IEC 62321-7-1:2015
IEC 62321-7-2:2017 IEC 62321-8:2017

Mariusz Rotuski

Pénonomocnik Zarządu ds. Certyfikacji
Representative of the Board for Certification

(EN) This declaration of conformity is issued under the sole responsibility of the manufacturer. (PL) Niniejsza deklaracja zgodności wydana zostaje na wyłączną odpowiedzialność producenta. (RO) Prezenta declarație de conformitate este emisă pe răspunderea exclusivă a producătorului. (LV) Šī atbilstības deklarācija ir izdota vienīgi uz šāda ražotāja atbildību. (LT) Ši atitikties deklaracija išduota tik gamintojo atsakomybe. (CS) Toto prohlášení o shodě vydal na vlastní odpovědnost výrobce. (HU) E megfeleléségi nyilatkozat a gyártó kizárólagos felelőségére kerül kibocsátásra.

