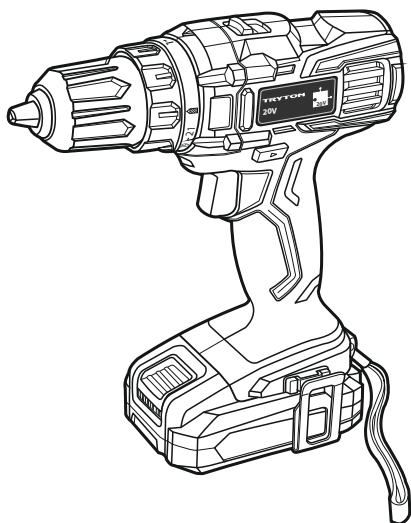


TRYTON

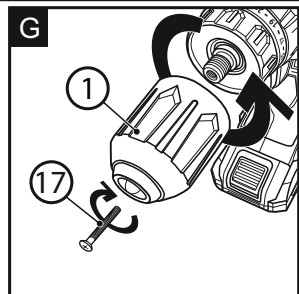
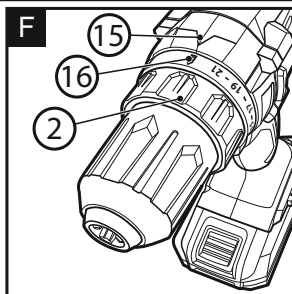
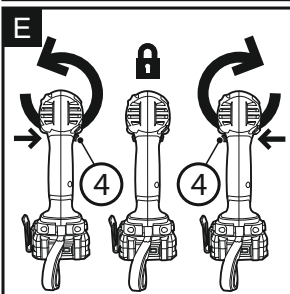
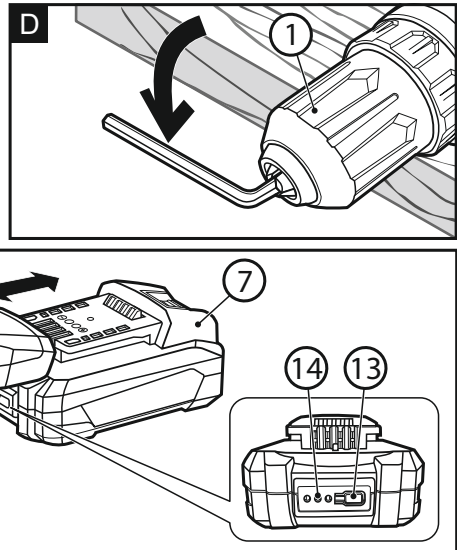
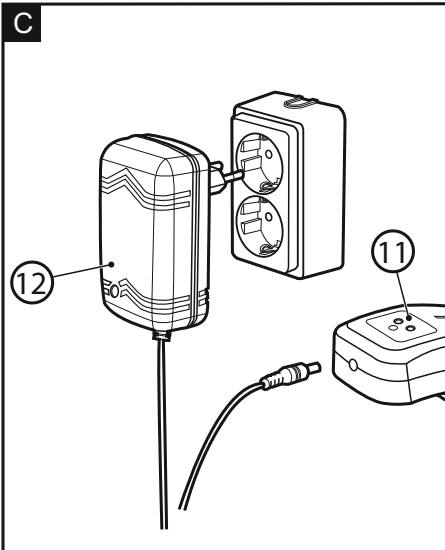
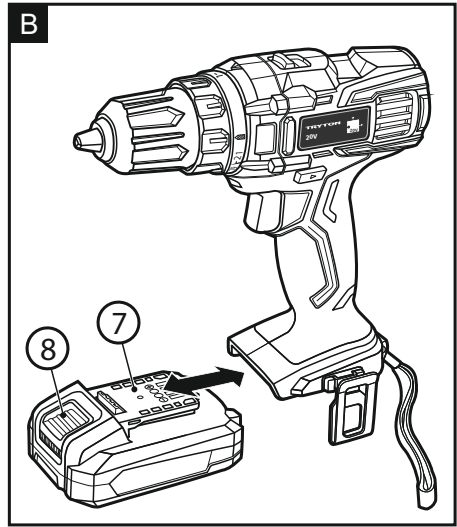
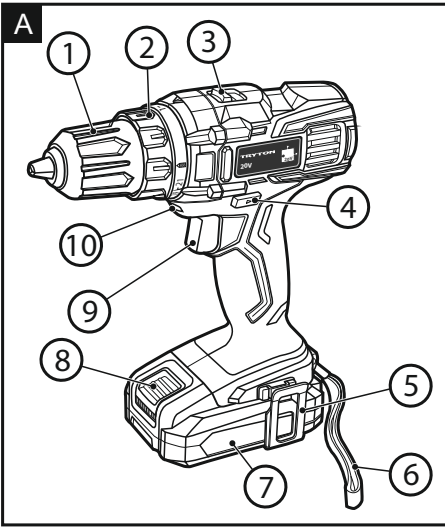
ELEKTRONARZĘDZIA

SYSTEM  20V



TJV10AL

EN	Operating instruction	CORDLESS DRILL/SCREWDRIVER4
PL	Oryginalna instrukcja obsługi	WIERTARKO - WKREŃTARKA AKUMULATOROWA..... 9
RU	Инструкция по эксплуатации	АККУМУЛЯТОРНАЯ ДРЕЛЬ-ШУРУПОВЕРТ..... 15
RO	Instrucțiuni de folosire	MAȘINA DE GĂURIT/ÎNȘURUBAT CU ACUMULATOR....22
LV	Lietošanas instrukcija	AKUMULATORU URBJMAŠĪNA-SKRŪVJGRIEZĒJS 28
CS	Návod na obsluhu	VRTACÍ AKU ŠROUBOVÁK 34
HU	Használati utasítások	AKKUMULÁTOROS FŰRÓ-CSAVARÓZÓ 40
LT	Naudojimo instrukcija	AKUMULIATORINIS GRĘŽTUVAS-SUKTUVAS 46



SYSTEM 20V



EN

System 20 V lets you power several power tools with a single battery.

Choose one of our tools, batteries, and chargers and expand your workshop with System 20V.

PL

System 20V pozwala zasilac kilka elektronarzedzi za pomocajednego akumulatora.

Wybierz narzedzie, akumulator i ladowarkę z naszej oferty, a potem rozszerzaj swój zestaw narzedzi System 20V.

RU

“Система 20V” позволяет запитывать несколько электроинструментов с помощью одной батареи.

Выберите инструмент, аккумулятор и зарядное устройство из нашей oferty, а затем расширьте свой набор инструментов “Система 20V”.

RO

Sistemul 20V permite alimentarea câtorva unelte electrice cu ajutorul unui singur acumulator.

Selectați unealta, acumulatorul și încărcătorul din oferta noastră, iar apoi lărgiți setul dumneavoastră de unelte System 20V.

LV

Sistēma 20V dod iespēju barot vairākus elektroinstrumentus ar vienu akumulātoru.

No mūsu piedāvājuma izvēlieties instrumentu, akumulātoru un lādētāju, un pēc tam paplašini savu instrumentu komplektu ar Sistēmu 20V.

CS

Systém 20 V umožňuje napájet několik elektronářadí s použitím jednoho akumulátoru.

Váľasď si nářadí, akumulátor a nabíječku z naší nabídky a následně rozšířte soubor svého elektronářadí Systém 20V.

HU

A 20V rendszer több elektromos szerszám töltését is lehetővé teszi egy akkumulátorról.

Váľaszd ki a szerszámot, az akumulátorot és a töltőt az ajánlatunkból, majd bővítsd a 20V elektromos szerszámaidat.

LT

20V sistema gali maitinti kelis elektros įrankius, panaudojant vieną akumulatorių.

Iš mūsų asortimento išsirinkite elektros įrankį, akumulatorių ir įkroviklį, o po to praturinkite savo rinkinį 20V sistema.

EN**OPERATING INSTRUCTION
CORDLESS DRILL/SCREWDRIVER TJV10AL**

Original text translation

**BEFORE YOU START USING THE MACHINE READ THOROUGHLY THIS MANUAL.****Keep this document for future reference.****WARNING! Read all safety warnings marked with a symbol ⚠ and all operating safety instructions.**

To limit the risk of fire, electric shock and injury while using the device, follow all operating safety instructions and tips provided below.

Keep all work safety instructions and tips for future reference.*In warnings provided herein the expression "power tool" means a power tool powered from the mains (with a power cord) or a battery powered power tool (cordless).***WARNING! General work safety warnings for use of the tool.****Workplace safety:**

- Keep your workplace tidy and well lit.** *Untidiness and bad lighting result in higher accident rate.*
- Do not use the power tool in explosive environments, created by flammable liquids, gases or dusts.** *The power tool generates sparks that can ignite dust or vapors.*
- Keep children and unauthorized persons away from the place where the power tools are used.** *Inattention may result in losing control over your power tool.*

**WARNING! General warnings regarding the use of power tools.****Electric safety:**

- Plugs used in power tools must match wall outlets. Never modify the plug of your power tool. Do not use any extension cables when operating a power tool with a grounding/earthing conductor (PE).** *Any modifications of plugs and outlets increase the risk of electric shock.*
- Avoid touching earthed surfaces or grounded items like pipes, heaters, central heating radiators and refrigerators.** *Touching earthed or grounded surfaces increases the risk of electric shock.*
- Do not expose your power tool to rain or damp environments.** *Water penetrating the tool increases the risk of electric shock.*
- Do not damage the power cord. Never use the power cord to carry, pull the power tool and do not pull by its power cord to disconnect plug from the outlet. Keep the power cord away from sources of heat, oils, sharp edges and moving parts.** *Damaged or entangled power cords increase the risk of electric shock.*
- When your power tool is operated outdoors use extension cords intended for outdoor use only. Using an extension cable intended for outdoor use decreases the risk of electric shock.
- It is recommended to connect the device to a mains supply equipped with a residual current device (RCD) with a rated current of 30 mA or less.**
- When it is unavoidable to use your power tool in a damp environment use an RCD (Residual Current Device) for protection.** *The use of RCDs decreases the risk of electric shock.*

**WARNING! General warnings regarding the use of power tools.****Personal safety:**

- This equipment is not intended for use by persons (including children) disabled physically, mentally, sensorial or persons with no experience and knowledge in operating the equipment unless they operate the equipment under supervision or follow user's instructions provided by persons responsible for their safety.**
- It is necessary to predict steps, watch and keep common sense when using power tools. Do not operate power tools when you are tired, under influence of drugs, medicine or alcohol.** *A moment of inattention while operating a power tool may result in serious personal injury.*
- Use personal protective equipment (PPE).** *Always wear safety goggles. Wearing personal protective equipment (PPE) including a dust mask, anti-slippery footwear, a helmet and ear protection reduces personal injury.*
- Avoid unexpected start up. Before connecting your power tool to the mains and/or inserting a battery make sure its power switch is in off position.** *Carrying your power tool with a finger on its power switch or without disconnecting it from the mains (switched on) may result in an accident.*
- Before starting your power tool remove any keys/wrenches.** *Leaving a key/wrench in the rotating part of your power tool may result in personal injury.*
- Do not lean forward too far. Always remain stable and maintain balance.** *It will allow you to have a better control over your power tool in unpredictable situations.*
- Wear appropriate clothing. Do not wear loose clothes or jewelry. Keep your hair tied. Keep your clothes away from moving parts.** *Loose clothes, jewelry or long hair may be caught by moving parts.*
- If your power tool allows for using an external dust extraction or collection system, make sure it is connected and used properly. Using dust collectors may reduce dust affected risks.**
- Do not let your skills gained through the frequent use of the power tool make you overconfident and disregard safety rules.** *Carelessness may cause injury in a fraction of a second.*

**WARNING! General warnings regarding the use of power tools.****Use and taking care of your power tool:**

- Do not overload your power tool. Use a power tool with power adjusted to work being done.** *An appropriately chosen power tool will allow you to work better and safer under load it has been designed for.*
- Do not use a power tool when its power switch is out of order (it does not switch it on or off).** *Any power tool with its power switch out of order is dangerous and must be repaired.*
- Always disconnect the plug from the power source and/or disconnect its battery before changing any settings, performing replacement or storage.** *Such preventive measures reduce the risk of accidental power tool start up.*
- Keep your power tool out of reach of children and do not allow unauthorized persons to use the power tool.** *Power tools in hands of untrained persons can be dangerous.*
- Power tools require maintenance. Check power tools for concentricity or jamming of moving parts, any cracks and all**

other factors affecting the power tool work safety. If any damage to the power tool is detected, it should be repaired before use. Improper power tool maintenance is a reason for many accidents.

- f) **Cutting tools should be sharp and clean.** Keeping sharp cutting edges in good condition reduces the risk of jamming and facilitates operation.
- g) **Power tools, equipment, working tools etc. should be used according to this user's manual taking into account operating conditions and the work to be done.** Misusing a power tool can result in dangerous situations.
- h) **At low temperatures and after a long brakes in operation it is recommended to turn the power tool to operate it with no load for a few minutes to provide proper grease distribution inside its driving mechanism.**
- i) **Use soft, damp (cannot be wet) cloth and soap to clean power tools. Do not use petrol, solvents and other agents that may damage your equipment.**
- j) **Power tools can be stored/carried after making sure that all moving components are locked and protected against release with original devices intended for this purpose.**
- k) **Store power tools in a dry, dust and water-protected place.**
- l) **Carry your power tool in its original packaging to provide protection against mechanical damage.**
- m) **Keep handles and grip surfaces clean and free from oil and grease. Secure grip and control over the tool in unexpected circumstances are impossible if handles and grip surfaces are slippery.**



WARNING! General warnings regarding the use of power tools.

Repair:

- a) **Warranty and post-warranty repairs of its power tools are carried out by PROFIX Service, which guarantees the best quality or repair and use of genuine spare parts.**



WARNING! Cordless drill/driver, security warnings –

Personal Safety:

- a) **Use hearing protection when using drill/driver.** Exposure to noise can cause hearing loss.
- b) **During work, when the power tool or drill might encounter a hidden electricity wire or its own lead, the power tool must be held by the insulated areas of the handle.** Cutting accessory contacting a "live" wire may make exposed metal parts of the power tool "live" and could give the operator an electric shock.
- c) **Use appropriate detectors to determine if utility lines are hidden in the work area or call the local utility company for assistance.** Contact with electric lines can lead to fire and electric shock. Damaging a gas line can lead to explosion. Penetrating a water line causes property damage or may cause an electric shock.
- d) **Do not work materials containing asbestos.** Asbestos is considered carcinogenic.
- e) **Keep your workplace clean and tidy.** Material mixtures are extremely dangerous. Light metal dusts can ignite or explode.
- f) **Protect the object machined.** Make sure all clamps are closed and check for excessive clearance. It is safer to fix the object machined in a fixing device or a vice than holding it in your hand.
- g) **Always hold firmly the power tool with your both hands using both the main and auxiliary handle keeping a stable position.** It is safer to control your power tool with both hands.
- h) **Turn the power tool immediately when the bit jams. Expect**

intense vibrations that can result in a kickoff. The bit jams when the power tool is overloaded or is bent inside the object.

- i) **Before you put the power tool aside make sure it is completely stopped.** The bit can jam resulting in losing control over the power tool.
- j) **Electric tools should be used exclusively with a unit of rechargeable batteries purposefully dedicated for power supply of them.** Application of any other batteries may pose a risk of body injuries or a fire.

Safety instructions when using long drill bits:

- a) **Never use a speed higher than the maximum drill bit speed. Always start drilling at a low speed and after touching the workpiece to the drill bit.** At higher speeds, the drill bit may bend if not in contact with the workpiece, resulting in injury.
- b) **Push the drill bit against the workpiece in line with the drill bit. Do not use excessive force.** Drill bits may bend, causing damage and loss of control, which may result in injury.



WARNING! Safe use of rechargeable batteries and battery chargers -

Using the battery:

- a) **Use only the batteries that correspond to specifications required by the equipment manufacturer.** Use of unsuitable batteries may lead to cracks and destruction of the battery, personal injuries or fires.
- b) **WARNING!** In case of damage or improper use of the battery, explosive gases might be released. The battery must be kept away from fire and proper ventilation is to be assured during charging. It cannot be left for a longer period of time in a high temperature environment (areas with strong exposure to the sun, close to radiators or any other place with a temperature above 40 degrees).
- c) **The battery must be charged within the temperature range of 15 to 25°C.**
- d) **Batteries can be charged exclusively with use of a power adapter recommended by the manufacturer of the tool.** Application of any other power adapter may pose a risk of a fire.
- e) **Never expose the battery to the effect of water or moisture.**
- f) **When another battery is to be charged in sequence the time gap between charging operations must be not less than 30 minutes.**
- g) **In no case may you open the battery.**
- h) **Under unfavourable conditions electrolyte may leak from batteries, be careful to avoid contacts with the liquid. In case of accidental contacts with the liquid wash the affected locations with water. When liquid penetrates eyes, seek also for medical assistance.** The liquid that leaks from batteries may be a reason for irritation or scalds.
- i) **When the battery unit is not in use keep it far away from metallic items such as paper clips, coins, keys, nails, bolts or other metal things that may short the battery terminals.** Shorts of battery terminals may cause burns or fires.
- j) **Never throw batteries to fireplaces.**
- k) **Never charge a damaged battery.**



The batteries are intended for multiple use and contain harmful lithium.

Upon the battery lifetime expires the battery must be disposed in accordance with environmental regulations. Discharge the battery first to the empty state and remove from the electric tool. Hand over to an organization that deals with utilization of batteries or take it back to the shop where the tool had been purchased.

Using the charger:

- Use only dedicated power adapters to charge the battery.**
Application of a power adapter dedicated to charge another type of the battery unit poses a risk of fires.
- The supplied charger should only be used for charging batteries that are supplied together with it.** *Charging other batteries may cause breaking and disintegration of the battery, bodily harm, or fire.*
- Do not disassemble the charger.**
- The charger is designed exclusively for indoor use.** *It must not be exposed to water or moisture.*
- Charge only in an ambient temperature between 15-25 degrees.**
- Do not insert metal objects of any kind into the charger.**

APPLICATIONS AND CONSTRUCTION:

The device is dedicated to drive in and out screws, drilling boreholes in such materials as steel, wood, plastics, etc.

The combo drill and screwdriver is designed exclusively for DIY applications.

The tool must not be used for work requiring a professional tool.

Any use of the device that is not in observance with the above-mentioned purpose is forbidden, leads to the loss of warranty, and relieves the manufacturer from responsibility for the resulting damage.

Any modifications of the tool by the user relieve the manufacturer from responsibility for any damage and injuries to the user and the surroundings. Despite using the tool according to its intended application it is impossible to eliminate certain residual risk factors. Considering the tool construction the following risks may occur when operating the tool:

- Touching the rotating drill bit with the hand or operator's clothes.
- Burns when changing drill bits (Drill bits heat up intensely during operation; use protective gloves when changing the drill bit).
- Throwing back machined object or its fragment.
- Bending/breaking the drill.

■ **The set includes:**

- Cordless drill/Screwdriver -1pc.
- Charger TJ3LD -1pc.
- Battery TJ15AK -1pc.
- Operating instruction -1pc.
- Warranty card - 1 pc.

■ **Device components (see page 2):**

- Fig.A**
1. Keyless chuck
 2. Clutch control knob
 3. Gear shifter
 4. Rotation direction switch
 5. Fastener to hang on the belt
 6. Strap for hanging on hand
 7. Battery
 8. Battery lock clip
 9. On/off switch
 10. Auxiliary lighting

- Fig.C**
11. Charger
 12. Adapter
 13. Battery level indicator button
 14. Battery indicator to show the battery status of charge

- Fig.F**
15. Clutch setting indicator
 16. Drilling setting pictogram

Fig.G 17. Left-threaded fixing screw

TECHNICAL PARAMETERS:

Supply voltage	20 V d.c.	
Gear shifter I-II	yes	
Rotation speed under no-load conditions (Gear I/II)	$n_n=0-350 / 0-1300/\text{min}$	
Maximum torque	25 Nm	
Chuck clamping range	$\varnothing 0,8-10 \text{ mm}$	
Maximum drilling diameter	Wood	25 mm
	Steel	13 mm
Weight (with battery)	1,4 kg	
Acoustic pressure level(LpA)	89,9 dB(A)	
Acoustic power (LwA)	99,9 dB(A)	
Tolerance of measurements $K_{\text{var}}, K_{\text{cont}}$	3 dB(A)	
Vibration level according to EN 60745, drilling $a_{h,0}$ (Tolerance of measurements $K=1,5 \text{ m/s}^2$)	1,746 m/s^2	
Battery type	Li-ion	
Battery charging voltage	20 V	
Battery capacity	1,5 Ah	
Charger power voltage	110-240V, 50-60Hz	
Charging time	3-5 h	

The vibration level value given refers to basic application of the tool. If the tool is used for other applications or with other tools, or if it is not maintained properly, the vibration level may differ from the values given. The above-mentioned causes may lead to higher exposure to vibrations during the whole work time.

One must implement additional safety measures to protect the operators from exposure to vibrations, such as maintenance of the electric tool and work tools, assurance of proper hand temperature, or determination of the sequence of work operations.

The declared total vibrations and declared noise emissions were measured in accordance with a standard test method and may be used for tool comparison.

The declared total vibrations and noise emissions can be used in preliminary exposure assessment.

Warnings:

The vibrations and noise emissions during the actual use of the power tool may differ from the declared values depending on how the tool is used and on the type of the workpiece in particular.

Determine safeguards to protect the operator. They should be based on the estimated exposure under actual operational conditions (taking into account all parts of the operating cycle such as when the tool is switched off or idle except the start time).

PREPARATION FOR WORK:

Prior to each use of the tool one has to check whether moving parts of the device are in operating conditions, not seized, cracked or damaged that may affect proper operation of the tool. Damaged tools must be handed over for repairs before they can be used again.

■ **Charging the battery**

The driver is supplied with a partially charged battery. You can check the battery level with the battery level indicator button (13). A single LED means the battery level is low, two LEDs mean medium level, and three LEDs mean full battery. Charge the battery fully before use. The first charging

procedure using TJ3LD should last at least 3 hours.

1. Press the battery lock button (8) and take the battery (7) out of the drill driver (Fig. B).
2. Connect the battery (7) to the charger (11) (see Fig. C).
3. Connect the adapter plug (12) to the charger (11).
4. Connect the adapter to a mains socket (110–240V, 50–60 Hz).

■ Battery charging indicator

A green LED light indicates that the charger is connected to a power source. After the battery is connected, the red LED is on to indicate charging. Blinking green battery LEDs also indicate that the battery is charging and show the current battery level.

When the battery is fully charged, the red LED goes off and the green LED is on.

After charging, disconnect the charger and remove the battery.

NOTE! The battery may get slightly hot when charging. This is not a malfunction.

The lithium-ion battery can be charged at any moment, without detriment to its life. Interrupting the charging process does not entail a risk of damaging the battery cells.

IN USE:

■ Turning on/off

The switch (9) has fluid rotation speed adjustment built-in.

Press the switch to activate the power tool. The rotation speed will increase the further the switch is pushed. To stop the power tool, release the switch.

■ Choosing rotation direction (see Fig. E)

The driver can work with clockwise (right) or counter-clockwise (left) rotation.

- to select clockwise rotation, move the clockwise/counter-clockwise slider (4) to the left (looking from the back of the driver),

- to select counter-clockwise rotation, move the clockwise/counter-clockwise slider (4) to the right (looking from the back of the driver),

When the rotation direction switch is in the middle position, the On/off switch (9) is locked.

For drilling and driving screws in, clockwise operation should be selected. For taking out the drill bit, removing a stuck drill bit, or unscrewing screws, counter-clockwise operation should be selected.

■ Choosing torque (Fig. F)

The driver is equipped with a ring (2), which can be used for setting the torque when driving screws. The ring has 22 settings, from 1 to 21, and a drilling setting.

Using a given setting (from 1 - 21) means that the clutch is set to an assigned torque. This makes it possible to prevent a screw from being driven too far or being damaged. Different torques should be used for different screws and materials.

Always start with a low torque and increase gradually until the desired result is achieved.

For drilling in metal, wood or plastic, set the ring (2), so that the indicator (15) points to symbol (16).

■ Shifting gear (Fig. A)

The gear shifter (3) makes it possible to choose 2 rotation speed ranges.

Gear I: Used for driving and unscrewing screws.

Gear II: Used for drilling.

CAUTION: Do not change the position of the gear shifter (3) during tool

operation as this may damage the gear box. Always allow the tool to come to a full stop before changing the setting of the gear shifter.

If the gear shifter does not move all the way, move the drive spindle slightly.

■ Changing the chuck (Fig. G)

1. Disconnect the battery (7) from the driver.

2. Open the chuck as much as possible (1)

3. Using a PH 2 (Philips No.2) screwdriver, rotate the fixing screw of the chuck clockwise (**CAUTION! Left-thread**). To free a seized bolt hit is gently on its head.

4. Unscrew the chuck of the drill/screwdriver counter-clockwise (looking from the point of view of the chuck).

CAUTION: A jammed keyless chuck (1) can be released by inserting the short end of a hex key in the chuck and lightly tapping the longer arm of the key (see Fig. D).

5. To attach the chuck, screw it onto the drive spindle clockwise and secure by screwing in the fixing screw counter-clockwise using a PH 2 screwdriver (No.2 Philips).

AUXILIARY COMPONENTS:

- The practical fastener (5) can be used for attaching the drill-driver on the user's belt, both for right-hand and left-hand dominant users.

- The drill/driver is equipped with an auxiliary light (10) for the area of drilling/driving, which turns on after the appropriate switch (9) is pushed.

■ Installation and removing drills to/from the keyless chuck

CAUTION: Disconnect the battery from the driver or put the rotation direction switch (4) in the middle position to secure the machine from being started by mistake, which could in turn cause harm to the user.

When the tool trigger (9) is released the drill chuck is locked. It enables quick, easy and convenient replacement of a working tool installed in the drill chuck. To remove a drill (or a working bit) from the drill chuck, rotate the chuck ring anticlockwise to expand the opening of the chuck. Insert a new drill (or a working bit) into the chuck and rotate the chuck ring clockwise to secure the drill in the drill chuck.

Drills (or other working bits) must be moved to the full depth of the chuck opening.

■ Drilling boreholes

1. To drill deep boreholes carry out your job gradually, drill to lower depths and remove the drill from the borehole from time to time to remove borings from the borehole.

2. To drill large diameter boreholes it is recommended to start with drilling a low-diameter borehole and then expand it to the desired diameter. It prevents the tool from overloads.

3. When the drilling bit is seized during working switch immediately tool off to prevent it from being damaged. Switch the rotations direction to the anticlockwise rotations and then remove the drilling bit from the borehole.

4. Keep the drill aligned with the axis of the borehole. The drilling bit must be positioned perpendicularly to the surface of the machined material. When the perpendicularity fails to be maintained the drilling bit may be seized or broken or, under extreme circumstances, the operator may be injured.

Rotation speed of the drill spindle is controlled by the force the power switch is depressed with.

■ Driving screws

It is recommended to drill the pilot borehole first. The pilot borehole must be a little deeper and with a less diameter than the outer diameter of the screw thread. When the screw is to be driven within the vicinity of the material edge the pilot borehole prevents from undesired chipping of the material.

If the screw is driven with abnormal difficulty the screw must be retracted and the pilot borehole diameter should be enlarged.

Anyway, when problem to drive the screw in persists (e.g. in case of hard wood grades) try to use a lubricating agent (e.g. liquid soap). Press the tool to the screw with sufficient force to avoid spontaneous rotation of the driving bit in the screw head. Use only those bits that accurately match the bit head. When the screw head is damaged further driving the screw in or out may prove infeasible.

STORAGE AND MAINTENANCE:

The tool in principle does not require any special maintenance or service.

The tool must be stored in a place that is not accessible to children and must be kept clean and protected from moisture and dust. The storage conditions should prevent potential mechanical damage and impact of the weather conditions.

CAUTION: Remember to always disconnect the battery from the tool prior to starting the cleaning operations and unplug the charger from the outlet.

The charger may be cleaned exclusively with use of a dry cloth. Use also a clean cloth to clean regularly the ventilation openings of the tool to keep them patent. From time to time disassemble the grip and remove dust and other rubbish from the interior.

The tool housing must be cleaned with use of a moistened cloth small quantity of soap and then wiped dry. Do not use any detergents or solvents as they can damage parts made from plastics. After cleaning let the tool dry completely before it is used again.

TRANSPORTATION:

Store and transport the tool in its transport box to protect it against humidity, dust penetration and small objects; remember to protect its ventilation openings. Small objects after getting into the casing can result in damage to the motor.

If the battery is removed for transport or storage, make sure the contacts will not short circuit. Remove metal items such as screws, nails, clasps, loose bits, wires, or metal filings from the case or transport container or otherwise prevent them from touching the battery.

MANUFACTURER:

PROFIX Co.Ltd.,
34 Marywilka Street,
03-228 Warsaw, POLAND.

This appliance is in conformity with national and European standards as well as with general safety guidelines.

NOTE: In case of technical issues, contact an authorised technical service. Any repairs are allowed to be carried out exclusively by qualified staff with use of original spare parts.

PICTOGRAMS:

Explanation of the icons located on the nominal plate and the information tags:



«Read this instruction before switching on the power supply and starting the work.»



«Protect the battery against heat, e. g., against continuous intense sunlight.»



«Never dispose of batteries in fire.»



«Never dispose of batteries in water.»



«For indoor use only.»

PROTECTION OF THE ENVIRONMENT:



NOTE: The symbol nearby denotes that old equipment must never be thrown away together with other waste (with the penalty of a fine). Hazardous components of electronic equipment may adversely affect the natural environment and human health.

Each household may contribute to the recovery and reuse (recycling) of old machinery and equipment. Both in Poland and Europe a system for recovery of used equipment either exists or is being created. The system obliges all organizations that sell such equipment to collect the used machinery and appliances. Moreover, general purpose collecting points for such equipment are available.

TROUBLESHOOTING GUIDE:

PROBLEM	POSSIBLE CAUSE	REMEDY
The tool (drill/screwdriver) fails to operate.	No power voltage, damaged motor or the power trigger.	Check the battery status, recharge or replace with a new one when necessary. When the problem persists hand over the tool for repair at a service workshop. Please refer to the warranty sheet for addresses of authorized workshops.
Irregularities of the motor operation.	Battery low.	Recharge the battery.
	Worn carbon brushes of the motor.	Have the brushes replaced at a service workshop.



The policy of the PROFIX company consists in permanent improvements of the offered products and therefore the company reserves the right to make amendments to the product specification without a prior notice. The images included into the operation manual are only of the exemplary nature and may slightly differ from actual appearance of the device purchased.


This instruction manual is protected by copyright. Copying it without the written consent of PROFIX Co. Ltd. is prohibited.



PRZED PRZYSTĄPIENIEM DO UŻYTKOWANIA NALEŻY ZAPOZNAĆ SIĘ Z NINIEJSZĄ INSTRUKCJĄ.

Zachowaj instrukcję do ewentualnego przyszłego wykorzystania.



OSTRZEŻENIE! Należy przeczytać wszystkie ostrzeżenia dotyczące bezpieczeństwa użytkowania oznaczone symbolem  i wszystkie wskazówki dotyczące bezpieczeństwa użytkowania.

Nieprzestrzeganie podanych niżej ostrzeżeń dotyczących bezpieczeństwa i wskazówek dotyczących bezpieczeństwa może być przyczyną porażenia prądem elektrycznym, pożaru i/lub poważnych obrażeń.

Zachowaj wszystkie ostrzeżenia i wskazówki dotyczące bezpieczeństwa, aby móc skorzystać z nich w przyszłości.

W podanych niżej ostrzeżeniach wyrażenie „elektronarzędzie” oznacza elektronarzędzie zasilane z sieci (z przewodem zasilającym) lub elektronarzędzie zasilane z akumulatora (bezprowodowe).



OSTRZEŻENIE! Ogólne ostrzeżenia dotyczące bezpieczeństwa użytkowania narzędzia.

Bezpieczeństwo w miejscu pracy:

- W miejscu pracy należy utrzymywać porządek i dobre oświetlenie. *Nieporządek i złe oświetlenie przyczynia się do wypadków.*
- Należy unikać używania elektronarzędzia w środowiskach wybuchowych, tworzonych przez łatwo palne ciecze, gazy lub pyły. *Elektronarzędzie wytwarza iskry, które mogą zapalić pył lub opary.*
- Należy nie dopuszczać dzieci i obserwatorów do miejsc, w których używa się elektronarzędzi. *Rozszerzenie uwagi może spowodować utratę kontroli nad elektronarzędziem.*



OSTRZEŻENIE! Ogólne ostrzeżenia dotyczące bezpieczeństwa użytkowania narzędzia.

Bezpieczeństwo elektryczne:

- Wtyczki elektronarzędzi muszą pasować do gniazdek. Nigdy w żaden sposób nie należy przerabiać wtyczki. Nie należy używać żadnych przedłużaczy w przypadku elektronarzędzi mających przewód z żyłą uziemienia ochronnego. *Brak przeróbek we wtyczkach i gniazdkach wtyczkowych zmniejsza ryzyko porażenia prądem elektrycznym.*
- Należy unikać dotykania powierzchni uziemionych lub zwartych z masą, takich jak rury, ogrzewacze, grzejniki centralnego ogrzewania i chłodziarki. *W przypadku dotknięcia części uziemionych lub zwartych z masą, wzrasta ryzyko porażenia prądem elektrycznym.*
- Należy unikać narażania elektronarzędzi na działanie deszczu lub warunków wilgotnych. *W przypadku przedostania się do elektronarzędzia wody, wzrasta ryzyko porażenia prądem elektrycznym.*
- Należy nadzwyczaj ostrożnie używać przewodu przyłączeniowego do przenoszenia, ciągnięcia elektronarzędzia lub wyciągania wtyczki z gniazdka. Należy trzymać przewód przyłączeniowy z daleka od źródeł ciepła, olejów, ostrych krawędzi lub ruchomych części. *Uszkodzone lub zaplątane przewody przyłączeniowe zwiększają ryzyko porażenia prądem elektrycznym.*
- W przypadku, gdy elektronarzędzie używa się na wolnym powietrzu, przewody przyłączeniowe należy przedłużać

przedłużaczami przeznaczonymi do pracy na wolnym powietrzu. *Używanie przedłużacza przeznaczonego do pracy na wolnym powietrzu zmniejsza ryzyko porażenia prądem elektrycznym.*

- Zaleca się podłączenie urządzenia do sieci elektrycznej wyposażonej w wyłącznik różnicowo-prądowy (RCD) o prądzie wyłączenia 30mA lub mniejszym.
- W przypadku, gdy używanie elektronarzędzia w środowisku wilgotnym jest nieuniknione, jako ochronę przed napięciem zasilania należy stosować urządzenie różnicowoprądowe (RCD). *Zastosowanie RCD zmniejsza ryzyko porażenia prądem elektrycznym.*



OSTRZEŻENIE! Ogólne ostrzeżenia dotyczące bezpieczeństwa użytkowania narzędzia.

Bezpieczeństwo osobiste:

- Niniejszy sprzęt nie jest przeznaczony do użytkowania przez osoby (w tym dzieci) o ograniczonej zdolności fizycznej, czuciowej lub psychicznej, lub osoby nie mające doświadczenia lub znajomości sprzętu, chyba że odbywa się to pod nadzorem lub zgodnie z instrukcją użytkowania sprzętu, przekazanej przez osoby odpowiedzialne za ich bezpieczeństwo.
- Należy być przewidującym, obserwować co się robi i zachowywać rozsądek podczas używania elektronarzędzia. *Nie należy używać elektronarzędzia, gdy jest się zmęczonym lub pod wpływem narkotyków, alkoholu lub leków. Chwila nieuwagi podczas pracy elektronarzędziem może spowodować poważne osobiste obrażenia.*
- Należy stosować wyposażenie ochronne. Należy zawsze zakładać okulary ochronne. *Używanie w odpowiednich warunkach wyposażenia ochronnego, takiego jak maska przeciwpyłowa, obuwie antypoślizgowe, kask lub ochronniki słuchu, zmniejsza osobiste obrażenia.*
- Należy unikać niezamierzonego rozruchu. *Przed przyłączeniem do źródła zasilania i/lub przed podłączeniem akumulatora oraz zanim podniesie się lub przeniesie się narzędzie należy upewnić się, że wyłącznik elektronarzędzia jest w pozycji wyłączony. Przenoszenie elektronarzędzia z palcem na wyłączniku lub przyłączenie elektronarzędzia do sieci zasilającej przy załączonym wyłączniku może być przyczyną wypadku.*
- Przed uruchomieniem elektronarzędzia należy usunąć wszystkie klucze. *Pozostawienie klucza w obracającej się części elektronarzędzia może spowodować osobiste obrażenia.*
- Należy wychylać się z daleka. *Należy cały czas stać pewnie i zachować równowagę. Umożliwi to lepszą kontrolę nad elektronarzędziem w sytuacjach nieprzewidywalnych.*
- Należy odpowiednio się ubierać. *Należy nosić luźnego ubrania ani biżuterii. Należy utrzymywać swoje włosy, ubranie i rękawiczki z dala od części ruchomych. Luźne ubrania, biżuteria lub długie włosy mogą zostać zacepione przez części ruchome.*
- Jeżeli urządzenia są przystosowane do przyłączenia zewnętrznego odciążu pyłu i pochłaniacza pyłu, należy upewnić się, że są one przyłączone i prawidłowo użyte. *Użycie pochłaniacza pyłu może zredukować zagrożenia zależne od zapylenia.*
- Nie pozwól, aby umiejętności uzyskane dzięki częstemu korzystaniu z elektronarzędzia pozwoliły Ci poczuć się pewnym siebie i zignorować zasady bezpieczeństwa. *Nieostrożne działanie*

może spowodować poważne obrażenia w ułamku sekundy.



OSTRZEŻENIE! Ogólne ostrzeżenia dotyczące bezpieczeństwa użytkowania narzędzia.

Użytkowanie i troska o elektronarzędzie:

- a) Nie należy elektronarzędzia przeciążać. Należy stosować elektronarzędzie o mocy odpowiedniej do wykonywanej pracy. *Właściwe elektronarzędzie umożliwi pracę lepszą i bezpieczniejszą przy obciążeniu, na jakie zostało zaprojektowane.*
- b) Nie należy używać elektronarzędzia, jeżeli łącznik go nie załącza i nie wyłącza. *Każde elektronarzędzie, którego nie można załączać lub wyłączać łącznikiem, jest niebezpieczne i musi zostać naprawione.*
- c) Należy odłączać wtyczkę ze źródła zasilania elektronarzędzia i/lub odłączyć akumulator przed wykonaniem każdej nastawy, wymiany części lub magazynowaniem. *Takie zapobiegawcze środki bezpieczeństwa redukują ryzyko przypadkowego rozruchu elektronarzędzia.*
- d) Nieużywane elektronarzędzie należy przechowywać poza zasięgiem dzieci i nie należy pozwalać osobom niezaznajomionym z elektronarzędziem lub niniejszą instrukcją na używanie elektronarzędzia. *Elektronarzędzia są niebezpieczne w rękach nieprzeszkolonych użytkowników.*
- e) Elektronarzędzia należy konserwować. Należy sprawdzać współosiowość lub zakleszczenie się części ruchomych, pęknięcia części i wszystkie inne czynniki, które mogą mieć wpływ na pracę elektronarzędzia. *Jeżeli stwierdzi się uszkodzenia, należy elektronarzędzie przed użyciem naprawić. Przyczyną wielu wypadków jest niefachowy sposób konserwacji elektronarzędzia.*
- f) Narzędzia tnące powinny być ostre i czyste. *Odpowiednie utrzymywanie ostrych krawędzi narzędzi tnących zmniejsza prawdopodobieństwo zakleszczenia i ułatwia obsługę.*
- g) Elektronarzędzie, wyposażenie, narzędzia robocze itp. należy stosować zgodnie z niniejszą instrukcją, biorąc pod uwagę warunki pracy i rodzaj pracy do wykonania. *Używanie elektronarzędzia w sposób, do jakiego nie jest przewidziane, może spowodować niebezpieczne sytuacje.*
- h) W niskich temperaturach, lub po dłuższym okresie nie użytkowania, zalecane jest włączenie elektronarzędzia bez obciążenia na okres kilku minut w celu właściwego rozprowadzenia smaru w mechanizmie napędu.
- i) Do czyszczenia elektronarzędzi stosować miękką, wilgotną (nie mokra) szmatkę i mydło. Nie stosować benzyny, rozpuszczalników i innych środków mogących uszkodzić urządzenie.
- j) Elektronarzędzie należy przechowywać/ transportować po upewnieniu się, że wszystkie jego elementy ruchome są zablokowane i zabezpieczone przed odblokowaniem za pomocą oryginalnych elementów do tego przeznaczonych.
- k) Elektronarzędzie należy przechowywać w miejscu suchym, zabezpieczone przed kurzem i wnikaniem wilgoci.
- l) Transportowanie elektronarzędzia powinno odbywać się w opakowaniu oryginalnym, zabezpieczającym przed uszkodzeniami mechanicznymi.
- m) Uchwyty i powierzchnie chwytne należy utrzymywać czyste i wolne od oleju i smaru. *Śliskie uchwyty i powierzchnie chwytne nie pozwalają na bezpieczne trzymanie i kontrolę narzędzia w nieoczekiwanych sytuacjach.*



OSTRZEŻENIE! Ogólne ostrzeżenia dotyczące bezpieczeństwa użytkowania narzędzia.

Naprawa:

- a) Naprawy gwarancyjne i pogwarancyjne swoich elektronarzędzi wykonuje Serwis PROFIX, co gwarantuje najwyższą jakość napraw oraz stosowanie oryginalnych części zamiennych.



OSTRZEŻENIE! Wiertarko - wkrętarka akumulatorowa, ostrzeżenia dotyczące bezpieczeństwa –

Bezpieczeństwo osobiste:

- a) Zakładać ochronniki słuchu podczas pracy wiertarko - wkrętarką. *Narażenie się na hałas może spowodować utratę słuchu.*
 - b) Podczas wykonywania prac, przy których narzędzie robocze lub śruba mogłyby natrafić na ukryte przewody elektryczne, elektronarzędzie należy trzymać za izolowane powierzchnie rękojeści. *Kontakt z przewodem sieci zasilającej może spowodować przekazanie napięcia na części metalowe elektronarzędzia, co mogłoby spowodować porażenie prądem elektrycznym.*
 - c) Należy używać odpowiednich przyrządów poszukiwawczych w celu lokalizacji ukrytych przewodów zasilających, lub poprosić o pomoc administrację obiektu. *Kontakt z przewodami znajdującymi się pod napięciem może doprowadzić do powstania pożaru i porażenia elektrycznego. Uszkodzenie przewodu gazowego może doprowadzić do wybuchu. Wniknięcie do przewodu wodociągowego powoduje szkody rzeczowe.*
 - d) Nie należy obrabiać materiału zawierającego azbest. *Azbest powoduje chorobę nowotworową.*
 - e) Miejsce pracy należy utrzymywać w czystości. *Mieszanki materiałów są szczególnie niebezpieczne. Pył z metalu lekkiego może się zapalić lub wybuchnąć.*
 - f) Należy zabezpieczyć obrabiany przedmiot. *Upewnić się, czy wszystkie zaciski mocujące są ściśnięte i zweryfikować, aby nie było przesadnego luzu. Zamocowanie obrabianego przedmiotu w urządzeniu mocującym lub imadło jest bezpieczniejsze niż trzymanie go w ręku.*
 - g) Elektronarzędzie podczas pracy należy mocno trzymać oraz dbać o stabilną pozycję. *Podczas dokręcania i luzowania śrub mogą wystąpić krótkotrwałe wysokie momenty reakcji.*
 - h) Należy natychmiast wyłączyć elektronarzędzie, gdy zablokuje się używane narzędzie. *Należy być przygotowanym na wysokie wibracje, które powodują odrzut. Używane narzędzie zablokuje się, gdy: elektronarzędzie jest przeciążone, lub gdy skrzywi się w obrabianym przedmiocie.*
 - i) Przed odłożeniem elektronarzędzia, należy poczekać, aż znajdzie się ono w bezruchu. *Narzędzie robocze może się zablokować i doprowadzić do utraty kontroli nad elektronarzędziem.*
 - j) Elektronarzędzia należy używać wyłącznie z baterią akumulatorów specjalnie przeznaczoną do ich zasilania. *Użycie innej baterii akumulatorów może stwarzać ryzyko obrażeń lub pożaru.*
- Instrukcje bezpieczeństwa podczas używania długich wiertel:**
- a) Nigdy nie pracuj z większą prędkością niż maksymalna prędkość obrotowa wiertła. *Zawsze rozpocznij wiercenie z małą prędkością i po zetknięciu wiertła z przedmiotem obrabianym. Przy wyższych prędkościach, wiertło może się wyginać, jeśli obraca się swobodnie bez kontaktu z przedmiotem obrabianym, powodując obrażenia ciała.*
 - b) Podczas wiercenia dociskaj wiertło do przedmiotu obrabianego w jednej linii z wiertłem, nie należy zbyt mocno dociskać wiertła. *Wiertła mogą się wyginać, powodując uszkodzenie lub utratę kontroli, co może spowodować obrażenia ciała.*



OSTRZEŻENIE! Bezpieczne użytkowanie akumulatorów i ładowarek –

Użytkowanie akumulatorów:

- a) **Należy używać tylko akumulatorów zgodnych ze specyfikacją podaną przez producenta.** W przypadku użycia innych akumulatorów może wystąpić pęknięcie i rozpadnięcie się akumulatora, uszkodzenie ciała lub pożar.
 - b) **UWAGA: W przypadku uszkodzenia i niewłaściwego użytkowania akumulatora może dojść do wydzielania się gazów wybuchowych. Akumulator należy zawsze utrzymywać z dala od źródła ognia oraz zapewnić odpowiednią wentylację podczas ładowania.** Nie wolno pozostawić go na dłuższy czas w środowisku, w którym panuje wysoka temperatura (w miejscach nasłonecznionych, w pobliżu grzejników lub gdziekolwiek tam, gdzie temperatura przekracza 40 stopni).
 - c) **Ładowanie akumulatora powinno odbywać się w zakresie temperatur 15-25 °C.**
 - d) **Ładować należy wyłącznie ładowarką zalecaną przez wytwórcę.** Użycie ładowarki przeznaczonej do ładowania innego typu baterii akumulatorów stwarza ryzyko powstania pożaru.
 - e) **Nie wystawiać akumulatora na działanie wody i wilgoci.**
 - f) **Jeśli zamierza się ładować kolejno więcej niż jeden akumulator, należy zrobić przerwę 30 minutową pomiędzy ładowaniami.**
 - g) **W żadnym wypadku nie należy otwierać akumulatora.**
 - h) **W niekorzystnych warunkach z akumulatora może wydostać się ciecz; należy unikać kontaktu z cieczą.** Jeżeli przypadkowo nastąpi zetknięcie użytkownika z cieczą, miejsce zetknięcia należy przemyć wodą. Jeżeli ciecz trafi do oczu, dodatkowo należy szukać pomocy medycznej.
- Wydostająca się z akumulatora ciecz może spowodować podrażnienia lub oparzenia.*
- i) **W czasie, gdy bateria akumulatorów nie jest używana, należy ją przechowywać z dala od metalowych przedmiotów takich, jak spinacze do papieru, monety, klucze, gwoździe, śruby, lub inne małe elementy metalowe, które mogą zerwać zaciski akumulatorów.** Zwarcie zacisków akumulatora może spowodować oparzenia lub pożar.
 - j) **Nie wrzucać akumulatorów do ognia.**
 - k) **Nie wolno ładować uszkodzonego akumulatora.**



Akumulatory są przeznaczone do wielokrotnego ładowania, zawierają szkodliwy dla środowiska lit.

Po zakończeniu okresu żywotności należy je zutylizować zgodnie z przepisami o ochronie środowiska naturalnego.

W tym celu całkowicie wyczerpać akumulator, wyjąć z elektronarzędzia, zdać do punktu utylizacji akumulatorów lub zdać do sklepu, w którym dokonano zakupu.

Użytkowanie ładowarki:

- a) **Ładować należy wyłącznie ładowarką zalecaną przez wytwórcę.** Użycie ładowarki przeznaczonej do ładowania innego typu baterii akumulatorów stwarza ryzyko powstania pożaru.
- b) **Nie wolno rozkręcać ładowarki.**
- c) **Ładowarka jest przeznaczona wyłącznie do pracy wewnątrz pomieszczeń.** Nie wolno jej narażać na działanie wody i wilgoci.
- d) **Ładować tylko w zakresie temperatur 15-25 stopni.**

- e) **Nie wolno wkładać jakichkolwiek przedmiotów metalowych do ładowarki.**

PRZEZNACZENIE I BUDOWA WIERTARKO-WKRĘTARKI:

Wiertarko-wkrętarka akumulatorowa jest przeznaczona do wkręcania i wykręcania wkrętów, wiercenia otworów w takich materiałach jak stal, drewno, tworzywa sztuczne, itp.

Wiertarko-wkrętarka jest przeznaczona wyłącznie do użytku amatorskiego. **Nie wolno wykorzystywać narzędzia do wykonywania prac wymagających zastosowania profesjonalnego urządzenia.**

Każde użycie urządzenia niezgodne z przeznaczeniem podanym wyżej jest zabronione i powoduje utratę gwarancji oraz brak odpowiedzialności producenta za powstałe w wyniku tego szkody.

Jakiegolwiek modyfikacje urządzenia dokonane przez użytkownika zwalniają producenta z odpowiedzialności za uszkodzenia i szkody wyrządzone użytkownikowi i otoczeniu.

Pomimo zgodnego z przeznaczeniem stosowania nie można całkowicie wyeliminować określonych czynników ryzyka resztkowego. Ze względu na konstrukcję i budowę maszyny mogą wystąpić następujące niebezpieczeństwa:

- dotknięcie obracającego się wiertła w trakcie pracy ręką lub ubraniem operatora;
- oparzenie przy wymianie wiertła. (Podczas pracy wiertło bardzo się rozgrzewa, żeby uniknąć oparzenia przy jego wymianie należy stosować rękawice ochronne);
- odrzucenie przedmiotu obrabianego lub części przedmiotu obrabianego;
- skrzywienie/złamanie wiertła.

■ Kompletacja:

- Wiertarko-wkrętarka - 1szt.
- Ładowarka TJ3LD - 1szt.
- Akumulator TJ15AK - 1szt.
- Instrukcja obsługi - 1szt.
- Karta gwarancyjna - 1szt.

■ Elementy urządzenia (patrz str. 2):

Rys.A 1. Uchwyt wiertarski szybkozaciskowy

2. Pokrętko regulacji sprzęgła
3. Przełącznik biegów
4. Przełącznik kierunku obrotów
5. Klamra do zawieszania na pasku
6. Pasek do zawieszenia na rękę
7. Akumulator
8. Przycisk blokady akumulatora
9. Włącznik
10. Oświetlenie pomocnicze

Rys.C 11. Ładowarka

12. Adapter
13. Przycisk wskaźnika poziomu naładowania baterii
14. Wskaźnik poziomu naładowania baterii

Rys.F 15. Znacznik nastawienia sprzęgła

16. Piktogram pozycji wiercenie

Rys.G 17. Śruba mocująca lewoskrętna

DANE TECHNICZNE:

Napięcie zasilania	20 V d.c.	
Przełącznik biegów I-II	tak	
Prędkość obrotowa bez obciążenia (I/II bieg)	$n_n=0-350 / 0-1300/\text{min}$	
Maks. moment obrotowy	25 Nm	
Zakres mocowania uchwytu wiertarskiego	$\varnothing 0,8-10 \text{ mm}$	
Maksymalna średnica wiercenia	drewno	25 mm
	stal	13 mm
Waga (z akumulatorem)	1,4 kg	
Poziom ciśnienia akustycznego (LpA)	89,9 dB(A)	
Poziom mocy akustycznej (LWA)	99,9 dB(A)	
Tolerancja pomiaru $K_{\text{pA}}, K_{\text{LWA}}$	3 dB(A)	
Poziom wibracji wg EN 60745, wiercenie $a_{h,b}$ (tolerancja pomiaru $K=1,5 \text{ m/s}^2$)	1,746 m/s^2	
Typ akumulatora	Li-ion	
Napięcie ładowania akumulatora	20 V	
Pojemność akumulatora	1,5 Ah	
Napięcie zasilania ładowarki	110-240V, 50-60Hz	
Czas ładowania	3-5 h	

Podany poziom drgań jest reprezentatywny dla podstawowych zastosowań elektronarzędzia. Jeżeli elektronarzędzie użyte zostanie do innych zastosowań lub z innymi narzędziami roboczymi, a także jeśli nie będzie wystarczająco konserwowane, poziom wibracji może odbiegać od podanego. Podane powyżej przyczyny mogą spowodować podwyższenie ekspozycji na wibracje podczas całego czasu pracy.

Należy wprowadzić dodatkowe środki bezpieczeństwa, mające na celu ochronę operatora przed skutkami ekspozycji na wibracje, np.: konserwacja elektronarzędzia i narzędzi roboczych, zabezpieczenie odpowiedniej temperatury rąk, ustalenie kolejności operacji roboczych.

Deklarowana całkowita wartość drgań i deklarowane wartości emisji hałasu zostały zmierzone zgodnie ze standardową metodą badawczą i mogą być wykorzystane do porównania jednego narzędzia z innym.

Deklarowane wartości całkowite drgań i deklarowane wartości emisji hałasu można wykorzystać we wstępnej ocenie narażenia.

Ostrzeżenia:

Wibracje i emisja hałasu podczas rzeczywistego użytkowania elektronarzędzia mogą różnić się od deklarowanych wartości w zależności od sposobu, w jaki narzędzia są używane, w szczególności od rodzaju obrabianego przedmiotu.

Należy określić środki bezpieczeństwa w celu ochrony operatora, które opierają się na oszacowaniu narażenia w rzeczywistym stanie użytkowania (biorąc pod uwagę wszystkie części cyklu operacyjnego, takie jak czasy, w których narzędzie jest wyłączone i kiedy pracuje na biegu jałowym za wyjątkiem czasu wyzwalania).

PRZED PRZYSTĄPIENIEM DO PRACY:

Przed każdym użyciem należy skontrolować, czy ruchome części urządzenia funkcjonują prawidłowo i nie są zablokowane nie są pęknięte lub uszkodzone co mogłoby mieć wpływ na prawidłowe funkcjonowanie urządzenia. Uszkodzone narzędzie należy przed użyciem oddać do naprawy.

■ Ładowanie akumulatora

Wiertarko-wkrętarka dostarczana z akumulatorem częściowo naładowanym. Stan naładowania można sprawdzić naciskając przycisk wskaźnika poziomu naładowania baterii (13). Jedna świecąca dioda LED

odpowiada niskiemu poziomowi naładowania baterii, dwie świeące diody oznaczają poziom średni, a trzy świeące diody odpowiadają pełnemu naładowaniu akumulatora. Przed użyciem należy w pełni naładować akumulator. Dla pierwszego ładowania za pomocą ładowarki T3J3LD zaleca się ładowanie trwające minimum 3 godziny.

1. Wcisnąć przycisk blokady akumulatora (8) i wyjąć akumulator (7) z wiertarko-wkrętarki (rys. B).
2. Podłączyć akumulator (7) do ładowarki (11) (patrz rys. C).
3. Podłączyć wtyczkę adaptera (12) do ładowarki (11).
4. Podłączyć adapter do gniazdka sieciowego 110-240V, 50-60Hz.

■ Sygnalizacja ładowania baterii

Świecąca zielona dioda LED na ładowarce informuje o tym, że ładowarka jest podłączona do źródła zasilania. Po podłączeniu akumulatora zapala się dioda czerwona, która informuje, że ładowanie jest w toku. Również o tym sygnalizują migające zielone diody LED akumulatora, pokazując aktualny poziom naładowania baterii.

Gdy bateria będzie całkowicie naładowana czerwona dioda zgaśnie i zapali się dioda zielona.

Po zakończeniu ładowania odłącz ładowarkę z sieci i wyjmij akumulator.

UWAGA! Podczas ładowania akumulator może nieco się nagrzać, jest to sytuacja normalna.

Akumulator litowo-jonowy można doładować w dowolnej chwili, nie powodując tym skrócenia jego żywotności. Przerwanie procesu ładowania nie niesie za sobą ryzyka uszkodzenia ogniw akumulatora.

W TRAKCIE PRACY:

■ Włączanie/wyłączanie wiertarko-wkrętarki

Zainstalowany włącznik (9) posiada płynną regulację prędkości obrotowej. Aby włączyć elektronarzędzie należy nacisnąć włącznik. Prędkość obrotowa będzie się zwiększała wraz z głębokością wciśnięcia przycisku. Aby zatrzymać elektronarzędzie należy zwolnić włącznik.

■ Wybór kierunku obrotów (patrz rys. E)

Wiertarko-wkrętarka ma możliwość pracy z obrotem wkręcania zgodnie z ruchem wskazówek zegara (obroty prawe) lub sprzecznie z ruchem wskazówek zegara (obroty lewe):

- aby ustawić prawe obroty, należy przesunąć suwak przełącznika lewych / prawych obrotów (4) w lewo (patrząc z tyłu wiertarko-wkrętarki),

- aby ustawić lewe obroty, należy przesunąć suwak przełącznika lewych / prawych obrotów (4) w prawo (patrząc z tyłu wiertarko-wkrętarki).

Gdy przełącznik kierunku obrotów znajduje się w pozycji środkowej to włącznik (9) jest zablokowany.

Do wiercenia i wkręcania wkrętów należy ustawić prawe obroty. Do wycofywania wiertła, wyjmowania zaklinowanego wiertła i wykręcania wkrętów należy ustawić lewe obroty.

■ Wybór momentu obrotowego (rys. F)

Wiertarko-wkrętarka jest wyposażona w pokrętło (2), służące do ustawiania momentu obrotowego przy wkręcaniu wkrętów. Na pierścieniu pokrętła jest zaznaczonych 22 pozycje, od 1 do 21 oraz pozycja wiercenia.

Ustawienie pierścienia w wybranym położeniu (od 1 do 21) powoduje trwałe ustawienie sprzęgła na określonej wielkości momentu obrotowego. Pozwala to na zabezpieczenie przed wkręceniem wkrętu zbyt głęboko lub uszkodzeniem wkrętu. Dla różnych wkrętów i różnych materiałów stosuje się różne wielkości momentu wkręcania.

Zawsze należy rozpoczynać z momentem o małej wielkości i powiększać moment stopniowo, aż do osiągnięcia zadawalającego rezultatu.

Aby wiercić w metalu, drewnie i tworzywie sztuczne należy ustawić

pokrętle (2) tak, aby znacznik (15) pokrywał się z symbolem (16).

■ Przelążanie biegów (rys. A)

Za pomocą przelążnika biegów (3) można wybrać 2 zakresy prędkości obrotowej.

Bieg I: Stosuje się do wkręcania lub wykręcania wkrętów.

Bieg II: Stosowany jest do wiercenia.

UWAGA: Nie zmieniać pozycji przelążnika biegów (3) podczas pracy narzędzia, może to uszkodzić jego przekładnię. Zawsze należy pozwolić narzędziu na całkowite zatrzymanie przed zmianą nastawienia przelążnika biegów.

Jeżeli przelążnik biegów nie daje się przesunąć do oporu, należy nieznacznie poruszyć wrzecionem napędowym.

■ Wymiana uchwyty (rys. G):

1. Odłączyć akumulator (7) od wkrętarki.
2. Maksymalnie otworzyć uchwyt (1).
3. Odkręcić wkrętakiem PH 2 (Philips Nr 2) zgodnie z ruchem wskazówek zegara śrubę mocującą uchwyt (**UWAGA! Lewy gwint**). Zakleszczoną śrubę można zwolnić przez lekkie uderzenie w jej łeb.
4. Odkręcić uchwyt wiertarko-wkrętarki w kierunku przeciwnym do ruchu wskazówek zegara (patrząc od strony uchwyty).

UWAGA: Zakleszczony szybkozaczepowy uchwyt wiertarski (1) można zwolnić przez zamocowanie krótszą stroną w uchwycie klucza imbusowego i lekkie uderzenie w długie ramię klucza (patrz rys. D).

5. Aby założyć uchwyt należy nakręcić go na wrzeciono zgodnie z ruchem wskazówek zegara i zabezpieczyć śrubą mocującą, przykręcając ją śrubokrętem PH 2 (Philips Nr 2) w kierunku przeciwnym do ruchu wskazówek zegara.

ELEMENTY DODATKOWE:

- Praktyczna klamra (5) służy do zawieszania wiertarko-wkrętarki na pasku użytkownika zarówno dla praworęcznych jak i dla leworęcznych.
- Wiertarko-wkrętarka wyposażona jest w oświetlenie pomocnicze (10) miejsca wiercenia/wkręcania, które włącza się po przyknięciu włącznika (9).

■ Wkładanie i wyjmowanie wiertła z uchwyty szybkozaczepowego

UWAGA: Odłączyć akumulator od wkrętarki lub nastaw przelążnik kierunków obrotów (4) na pozycję środkową, aby zabezpieczyć się przed przypadkowym włączeniem maszyny, co może spowodować zranienie operatora.

Przy zwolnionym włączniku (9) następuje blokada wrzeciona wiertarskiego. Umożliwia to szybką, wygodną i łatwą wymianę narzędzia roboczego w uchwycie wiertarskim. Aby wyjąć wiertło (lub końcówkę roboczą) z uchwyty należy obracać pierścień uchwyty w lewo, w celu powiększenia otworu w uchwycie. Aby zainstalować wiertło (lub końcówkę roboczą) do uchwyty należy obracać pierścień uchwyty w prawo, aby uzyskać zaciśnięcie wiertła w uchwycie.

Wiertło (lub innego typu końcówkę roboczą) należy wkładać do uchwyty, do oporu.

■ Wiercenie otworów

1. Przy wykonywaniu głębokich otworów należy wiercić stopniowo, na mniejsze głębokości, wycyfować wiertło z otworu, aby umożliwić usunięcie wiórów z otworu.
2. Przy wierceniu otworu o dużej średnicy zaleca się rozpoczynać od wywiercenia otworu mniejszego, a później rozszerzenia go na pożądanym wymiar. Zapobiegnie to możliwości przecięcia wiertarki.
3. Jeśli dojdzie do zakleszczenia się wiertła, w czasie wiercenia, należy

natychmiast wyłączyć wkrętarkę, aby nie dopuścić do jej uszkodzenia. Korzystając ze zmiany kierunku obrotów należy usunąć wiertło z otworu.

4. Należy utrzymywać wkrętarkę w osi wykonywanego otworu. Wiertło powinno być ustawione pod kątem prostym do powierzchni obrabianego materiału. W przypadku, nie zachowania prostopadłości, w czasie pracy, może dojść do zakleszczenia lub złamania się wiertła w otworze, a w krańcowym przypadku do zranienia użytkownika.

Regulacji prędkości obrotowej wrzeciona dokonuje się przez odpowiednią siłę nacisku na włącznik.

■ Wkręcanie wkrętów

Zaleca się wykonywanie najpierw otworu pilotującego, nieco głębszego od długości wkręta i o nieco mniejszej średnicy od średnicy zewnętrznej gwintu wkręta. W przypadku gdy wkręt znajduje się w sąsiedztwie krawędzi materiału, wykonanie otworu pilotującego zapobiega możliwości niepożądanego odprysnięcia materiału.

Jeśli przy wkręcaniu wystąpi trudność z zagłębianiem się wkręta, to należy wkręt wykręcić i powiększyć trochę otwór pilotujący.

Jeśli nadal wkręcanie przebiega z trudnością (co może wystąpić w przypadku twardych gatunków drewna) należy spróbować użyć środka smarującego (np. mydło w płynie). Należy wywierać odpowiedni nacisk na wkrętarkę, aby nie dopuścić do obracania się końcówki wkrętakowej względem łoża wkręta. Stosować końcówki dokładnie dopasowane do łoża wkręta. Uszkodzenia gniazda wkręta może uniemożliwić wkręcenie bądź wykręcenie wkręta.

PRZECHOWYWANIE I KONSERWACJA:

Elektronarzędzie w zasadzie nie wymaga specjalnych zabiegów konserwacyjnych. Wiertarko-wkrętarkę należy przechowywać w miejscu, niedostępnym dla dzieci, utrzymywać w stanie czystości, chronić przed wilgocią i zapyleniem. Warunki przechowywania powinny wykluczać możliwość uszkodzeń mechanicznych oraz wpływu szkodliwych warunków atmosferycznych.

UWAGA: Zawsze przed rozpoczęciem czynności czyszczenia i konserwacji należy odłączyć akumulator od urządzenia i wyjąć wtyczkę ładowarki z gniazda zasilającego.

Ładowarkę należy czyścić tylko przy użyciu suchej szmatki.

Przy wkrętarkę należy czyścić okresowo otwory wentylacyjne przy użyciu suchej szczołeczki lub szmatki. Należy okresowo zdemontować uchwyt i wysypać z wnętrza pyli i inne zanieczyszczenia.

Obudowę wkrętarki okresowo czyścić wilgotną ściereczką z niewielką ilością mydła aby usunąć pyli i inne zanieczyszczenia. Nie używać żadnych środków czyszczących ani rozpuszczalników; mogą one uszkodzić części urządzenia wykonane z tworzywa sztucznego. Należy uważać, aby do wnętrza urządzenia nie dostała się woda. Po czyszczeniu odczekać aż wkrętarka całkowicie wyschnie.

TRANSPORT:

Elektronarzędzie transportować i składować w opakowaniu, chroniącym przed wilgocią, wnikaniem pyli i drobnych obiektów, zwłaszcza należy zabezpieczyć otwory wentylacyjne. Drobne elementy, które dostaną się wewnątrz obudowy mogą uszkodzić silnik.

W przypadku wyjęcia akumulatora z urządzenia na czas transportu lub magazynowania należy się upewnić, że nie dojdzie do zwarcia styków akumulatora. Z walizki, skrzynki narzędziowej lub pojemnika transportowego należy usunąć części metalowe, jak np. wkręty, gwoździe, klamry, porożrzucane bity, druty lub opłoki metalowe lub w inny sposób zapobiec zetknięciu się tych elementów z akumulatorem.

PRODUCENT:

PROFIX Sp z o.o.
ul. Marywilska 34,
03-228 Warszawa

Niniejsze urządzenie jest zgodne z normami krajowymi i europejskimi, oraz z wytycznymi bezpieczeństwa.

UWAGA! W razie problemów technicznych prosimy kontaktować się z uprawnionym serwisem. Wszelkie naprawy muszą być przeprowadzane przez wykwalifikowany personel, używając oryginalnych części zamiennych.

PIKTOGRAMY:

Objaśnienia ikonek znajdujących się na tabliczce znamionowej i naklejkach informacyjnych na urządzeniu:



– «Przed uruchomieniem przeczytać instrukcję obsługi»



– «Akumulator należy chronić przed wysokimi temperaturami, np. przed stałym nasłonecznieniem.»



– «Nie wrzucać akumulatorów do ognia.»



– «Nie wrzucać akumulatorów do wody.»



– «Wylącznie do użytku wewnątrz pomieszczeń.»

OCHRONA ŚRODOWISKA:

UWAGA: Przedstawiony symbol oznacza zakaz umieszczania zużytego sprzętu łącznie z innymi odpadami (z zagrożeniem karą grzywny). Składniki niebezpieczne znajdujące się w sprzęcie elektrycznym i elektronicznym wpływają negatywnie na środowisko naturalne i zdrowie ludzi.

Gospodarstwo domowe powinno przyczyniać się do odzysku i ponownego użycia (recyklingu) zużytego sprzętu. W Polsce i w Europie tworzony jest lub już istnieje system zbierania zużytego sprzętu, w ramach którego wszystkie punkty sprzedaży ww. sprzętu mają obowiązek przyjmować zużyty sprzęt. Ponadto istnieją punkty zbiórki ww. sprzętu.

TYPOWE USTERKI I ICH USUWANIE:

PROBLEM	MOŻLIWA PRZYCZYNA	ROZWIĄZANIE PROBLEMU
Wiertarko-wkrętarka nie działa.	Brak zasilania, uszkodzenie silnika lub włącznika.	Sprawdzić stan baterii, w razie potrzeby doładować lub wymienić na nową. Jeżeli elektronarzędzie nadal nie działa, należy je wysłać do serwisu naprawczego na adres podany w karcie gwarancyjnej.
Zakłócenia w pracy silnika.	Rozładowana bateria.	Doładować baterię.
	Zużyte szczotki węglowe.	Wymienić szczotki węglowe w serwisie naprawczym.



Polityka firmy PROFIX jest polityką stałego udoskonalania swoich produktów i dlatego firma rezerwuje sobie prawo zmiany specyfikacji wyrobu bez uprzedniego zawiadomienia. Obrazki, podane w instrukcji obsługi, są przykładowe i mogą się nieznacznie różnić od rzeczywistego wyglądu zakupionego urządzenia.

Niniejsza instrukcja jest chroniona prawem autorskim. Kopiowanie/ powielanie jej bez pisemnej zgody firmy Profix Sp. z o.o. jest zabronione.



ИНСТРУКЦИЯ ПО ЭКСПЛУАТАЦИИ АККУМУЛЯТОРНАЯ ДРЕЛЬ-ШУРУПОВЕРТЛЮАЛ


Перевод оригинальной инструкции



ПЕРЕД НАЧАЛОМ ЭКСПЛУАТАЦИИ НЕОБХОДИМО ОЗНАКОМИТЬСЯ С НАСТОЯЩЕЙ ИНСТРУКЦИЕЙ.

Хранить инструкцию для возможного применения в будущем.



ПРЕДУПРЕЖДЕНИЕ! Необходимо ознакомиться со всеми предупреждениями, касающимися безопасности при эксплуатации, обозначенными символом  и всеми указаниями по технике безопасности.

Несоблюдение указанных ниже предупреждений, касающихся безопасности и указаний по технике безопасности может привести к поражению электрическим током, пожару и/или серьезным травмам тела.

Необходимо хранить все предупреждения и указания, касающиеся техники безопасности, чтобы можно было воспользоваться ними в будущем.

В указанных ниже предупреждениях слово „электроинструмент“ означает электроинструмент с питанием от сети (посредством электрического кабеля) или электроинструмент, питаемый от аккумулятора (беспроводное питание).



ПРЕДУПРЕЖДЕНИЕ! Общие предупреждения, касающиеся безопасности при эксплуатации инструмента.

Техника безопасности на рабочем месте:

- Необходимо поддерживать порядок и хорошее освещение на рабочем месте. Беспорядок и плохое освещение являются причиной несчастных случаев.
- На следует использовать электроинструмент во взрывоопасной среде, образующей легко воспламеняющимися жидкостями, газами или пылью. Электроинструмент создаёт искры, которые могут привести к воспламенению пыли или испарений.
- Не допускать детей и наблюдателей в места, в которых применяются электроинструменты. Отвлечение внимания может привести к потере контроля над электроинструментом.



ПРЕДУПРЕЖДЕНИЕ! Общие предупреждения, касающиеся безопасности при эксплуатации инструмента.

Электробезопасность:

- Штепсельные вилки должны соответствовать сетевым розеткам. Ни в коем случае не переделывать каким-либо образом штепсельную вилку. Не применять каких-либо удлинителей электропитания в случае использования электроинструментов, имеющих провод электропитания с защитным заземляющим проводником. Отсутствие переделок штепсельных розеток и сетевых розеток снижает опасность поражения электрическим током.
- Необходимо избегать прикосновения к поверхности заземлённых или закороченных на массу элементов, таких как трубы, нагреватели, радиаторы центрального отопления и холодильные агрегаты. В случае прикосновения заземлённого или закороченного на массу элемента увеличивается опасность поражения электрическим током.
- Не подвергать электроинструменты воздействию дождя

или влажных условий. В случае попадания в электроинструмент воды увеличивается опасность поражения электрическим током.

- Не создавать опасности повреждения кабеля электропитания. Ни в коем случае не использовать кабеля электропитания, чтобы переносить или тянуть электроинструмент или для извлечения штепсельной вилки из розетки. Кабель электропитания должен находиться вдали от источников тепла, масел, острых краёв и движущихся частей. Повреждённые или запутанные кабели электропитания увеличивают опасность поражения электрическим током.
- Если электроинструмент эксплуатируется на свежем воздухе, следует использовать удлинители кабеля электропитания, предназначенные для работы вне помещений. Использование удлинителя кабеля электропитания, предназначенного для работы вне помещений, снижает опасность поражения электрическим током.
- Рекомендуется подключение устройств к электрической сети, снабжённой выключателем остаточного тока (RCD) с током выключения 30 мА или менее.
- Если эксплуатация электроинструмента во влажной среде неизбежна, в качестве защиты от напряжения питания необходимо использовать защитное устройство по разностному току (RCD). Применение защитного устройства по разностному току снижает опасность поражения электрическим током.



ПРЕДУПРЕЖДЕНИЕ! Общие предупреждения, касающиеся безопасности при эксплуатации инструмента.

Индивидуальная безопасность:

- Настоящее оборудование не предназначено для эксплуатации лицами (включая детей) с физическими, сенсорными или умственными ограничениями или лицами, не имеющими опыта или не знающими оборудования, разве что это осуществляется под надзором или в соответствии с инструкцией по эксплуатации оборудования, переданной лицами, отвечающими за их безопасность.
- Необходимо быть предусмотрительным, наблюдать за работой и руководствоваться здравым смыслом во время эксплуатации электроинструмента. Не следует эксплуатировать электроинструмент в состоянии переутомления или находясь под действием наркотиков, алкоголя или лекарств. Менювание невнимания во время эксплуатации электроинструмента может быть причиной травмы пользователя.
- Необходимо применять средства личной защиты. Необходимо обязательно работать с защитными очками. Применение в соответствующих условиях средств личной защиты, таких как противодымный респиратор, противоскользкая обувь, каска или средства защиты слуха снизит риск получения травмы.
- Необходимо избегать случайного запуска в работу.

Прежде чем вставить вилку кабеля электропитания в сетевую розетку или подключить аккумулятор, а также перед тем, как поднять или перенести электроинструмент, необходимо убедиться, что выключатель электроинструмента находится в положении «выключено».

Перенос электроинструмента с пальцем на выключателе или подключение электроинструмента к сети питания при включенном выключателе может привести к несчастному случаю.

- д) Прежде, чем запустить электроинструмент в работу, необходимо устранить все ключи. Ключ, оставшийся во вращающейся части электроинструмента, может привести к травме пользователя.
- е) Не следует слишком сильно наклоняться. Необходимо всё время сохранять устойчивость и равновесие. Это позволяет лучше контролировать электроинструмент в неожиданных ситуациях.
- ж) Необходимо иметь соответствующую одежду. Не работать в свободной одежде или с бижутерией. Необходимо, чтобы волосы пользователя, его одежда и рукавицы находились вдали от движущихся элементов. Свободная одежда, бижутерия или длинные волосы могут быть зацеплены движущимися частями.
- з) Если оборудование приспособлено для присоединения внешнего пылеотвода (пылеулавливающего устройства) и поглотителя пыли, необходимо убедиться, что они присоединены и правильно применяются. Применение поглотителей пыли может уменьшить опасность, связанную с запыленностью.
- и) Не позволяйте, чтобы навыки, приобретенные благодаря частому пользованию электроинструментом, позволили Вам почувствовать себя самоуверенно и проигнорировать правила техники безопасности. Неосторожные действия могут вызвать серьезные травмы в течение доли секунды.



ПРЕДУПРЕЖДЕНИЕ! Общие предупреждения, касающиеся безопасности при эксплуатации инструмента.

Эксплуатация и уход за электроинструментом:

- а) Не допускать перегрузки электроинструмента. Применять электроинструмент с мощностью, соответствующей выполняемой работе. Надлежащий электроинструмент позволит лучше и безопаснее работать при нагрузке, на которую он рассчитан.
- б) Не следует применять электроинструмент, если его выключатель не включается и не выключается. Каждый электроинструмент, который не может включаться или выключаться выключателем, представляет опасность и должен быть передан на ремонт.
- в) Необходимо отсоединить штепсельную вилку от источника питания электроинструмента и/или отсоединить аккумулятор прежде чем выполнить какую-либо установку, замену части или складирование устройства. Такие предупредительные меры безопасности снижают риск случайного запуска электроинструмента в работу.
- г) Неиспользуемый электроинструмент следует хранить в недоступном для детей месте и не разрешать тем, кто незнаком с электроинструментом или настоящей

инструкцией, пользоваться электроинструментом. *Электроинструмент опасен в руках необученных пользователей.*

- д) Следует выполнять технический уход за электроинструментом. Необходимо проверить соосность или отсутствие заедания (защемления) подвижных элементов, трещин частей, а также все другие факторы, могущие влиять на работу электроинструмента. В случае обнаружения неисправности, необходимо выполнить ремонт электроинструмента. *Причиной многих несчастных случаев является непрофессиональный способ выполнения технического ухода.*
- е) Режущий инструмент должен быть острым и чистым. Соответствующее содержание и уход за острыми кромками режущего инструмента снижает вероятность защемления и упрощает обслуживание.
- ж) Электроинструмент, оснащение, рабочие инструменты и т. п. необходимо применять в соответствии с настоящей инструкцией, учитывая рабочие условия и вид выполняемой работы. *Применение электроинструмента не по назначению может привести к опасным ситуациям.*
- з) При низкой температуре или после длительного перерыва в эксплуатации рекомендуется включение электроинструмента без нагрузки на несколько минут с целью распределения смазки в механизме привода.
- и) Для чистки электроинструмента применять мягкую, влажную (не мокрую) тряпку и мыло. Не применять бензина, растворителей и других средств, могущих повредить устройство.
- й) Электроинструмент следует хранить/ транспортировать, убедившись, что все его подвижные элементы заблокированы и защищены от разблокировки при помощи оригинальных элементов, предназначенных для этой цели.
- к) Электроинструмент должен храниться в сухом месте и быть защищенным от пыли и проникания влаги.
- л) Транспортировку электроинструмента необходимо выполнять в оригинальной упаковке, защищающей от механических повреждений.
- м) Держатели и хватательные поверхности следует содержать в чистоте, устранив с них масло и смазку. *Скользкие держатели и хватательные поверхности не позволяют безопасно держать инструмент и контролировать его в случае возникновения неожиданных ситуаций.*



ПРЕДУПРЕЖДЕНИЕ! Общие предупреждения, касающиеся безопасности при эксплуатации инструмента.

Ремонт:

- а) Гарантийный и послегарантийный ремонт своих электроинструментов выполняет сервисная служба компании PROFIX, что гарантирует высочайшее качество ремонта и использование оригинальных запчастей.



ПРЕДУПРЕЖДЕНИЕ! Аккумуляторная дрель-шуруповерт, предупреждения по технике безопасности –

Индивидуальная безопасность:

- а) Во время работы с дрелью-шуруповертом применяйте

средства защиты слуха. Длительное воздействие шума может привести к потере слуха.

- б) Выполняя работы, при которых рабочий инструмент или винт могут попасть на скрытую электропроводку или на собственный кабель электропитания, электроинструмент следует держать за изолированную поверхность рукоятки. Прикосновение к проводу сети питания (кабелю электропитания), находящемуся под напряжением, может привести к попаданию напряжения на металлические части электроинструмента, а это несёт опасность поражения электрическим током.
- в) Следует применять соответствующие приборы для обнаружения скрытых проводов сети питания и попросить о помощь городские коммунальные службы. Контакт с проводами, находящимися под напряжением, может привести к пожару или поражению электрическим током. Повреждение газопроводной трубы может привести к взрыву. Проникновение в водопроводную трубу ведёт к материальным потерям и может привести к поражению электрическим током.
- г) Не обрабатывайте материалы с содержанием асбеста. Асбест является канцерогеном и вызывает раковые заболевания.
- д) Необходимо поддерживать чистоту в месте выполнения работы. Смеси материалов представляют особую опасность. Пыль лёгких металлов может воспламениться или взорваться.
- е) Необходимо закрепить обрабатываемый предмет. Проверить, все ли крепящие зажимы зажаты и убедиться, что нет слишком большого зазора. Закрепление обрабатываемого предмета в крепящем устройстве или тисках более безопасно, чем удерживание его рукой.
- ж) Во время работы следует прочно держать электроинструмент двумя руками за основную и вспомогательную рукоятку и сохранять устойчивое положение. Перемещение электроинструмента безопасно, если выполняется обеими руками.
- з) Следует немедленно отключить электроинструмент, если заблокируется используемый рабочий инструмент. Необходимо быть готовым к большим вибрациям, в результате которых может произойти отброс. Блокировка применяемого рабочего инструмента может произойти, если электроинструмент перегружен или если будет иметь место его искривление в обрабатываемом предмете.
- и) Не откладывать электроинструмент, пока он не остынет. Может произойти блокировка рабочего инструмента, в результате чего будет потерян контроль над электроинструментом.
- к) Электроинструменты следует эксплуатировать только с аккумуляторной батареей, специально предназначенной для их питания. Применение другой аккумуляторной батареи может привести к травмам или пожару.

Инструкции по безопасности при использовании длинных свёрл:

- а) Категорически запрещается работать на скорости, превышающей максимальную скорость вращения сверла. Обязательно начинайте сверление на низкой скорости и после контакта сверла с обрабатываемой деталью. На более высоких скоростях вращения сверло может согнуться, если оно свободно вращается без контакта с обрабатываемой деталью, что может привести к травме.
- б) При сверлении прижимайте сверло к обрабатываемой

детали на одной линии со сверлом, не прижимайте сверло слишком сильно. Сверла могут гнуться, вызывая повреждение или потерю контроля, что может привести к травме.



ПРЕДУПРЕЖДЕНИЕ! Техника безопасности при эксплуатации аккумуляторов и зарядных устройств.

Эксплуатация аккумуляторов:

- а) Необходимо применять только аккумуляторы, соответствующие прилагаемой производителем спецификации. В случае применения других аккумуляторов существует опасность, что корпус аккумулятора треснет и развалится, может иметь место травма тела или пожар.
- б) **ВНИМАНИЕ:** В случае повреждения и неправильной эксплуатации аккумулятора может иметь место выделение взрывоопасных газов. Аккумулятор должен всегда находиться вдали от источника огня. Необходимо обеспечить надлежащую вентиляцию в процессе его зарядки. Запрещено оставлять его на длительное время в среде с высокой температурой (в местах с интенсивным солнечным излучением, вблизи calorиферов или там, где температура превышает 40 градусов).
- в) Зарядка аккумулятора должна осуществляться при температуре 15-25 °С.
- г) Зарядку следует осуществлять только при помощи зарядного устройства, рекомендуемого производителем. Применение зарядного устройства, предназначенного для зарядки аккумуляторных батарей другого типа, может привести к пожару.
- д) Хранить аккумуляторы от воздействия воды и влаги.
- е) Если необходимо зарядить больше одного аккумулятора, требуется сделать 30-минутный перерыв между очередными зарядками.
- ж) Категорически запрещено вскрывать аккумулятор.
- з) При неблагоприятных условиях из аккумулятора может вытекать жидкость (электролит); необходимо избегать контакта с жидкостью. Если случайно произойдёт попадание жидкости на пользователя, место попадания необходимо промыть водой. Если жидкость попадёт в глаза, необходимо, кроме того, обратиться за помощью к врачу. Вытекающая из аккумулятора жидкость может привести к раздражению кожи или ожогам.
- и) Если аккумуляторная батарея не используется, необходимо хранить её вдали от металлических предметов, таких как металлические скрепки, монеты, ключи, гвозди, винты или малые металлические элементы, которые могут привести к короткому замыканию контактов (клемм) аккумулятора. Короткое замыкание контактов (клемм) аккумулятора может привести к ожогам или пожару.
- к) Не бросать аккумуляторы в огонь.
- л) Запрещено заряжать повреждённый аккумулятор.



Аккумуляторы предназначены для многократной зарядки, они содержат вредный для окружающей среды литий. После завершения срока службы необходимо утилизировать аккумуляторы в соответствии с предписаниями по охране окружающей среды.

Для этого необходимо полностью разряженный аккумулятор извлечь из электроинструмента, сдать в пункт сбора отработанных аккумуляторов или сдать в магазин, в котором он был приобретён.

Эксплуатация зарядного устройства:

- а) Зарядку следует осуществлять только при помощи зарядного устройства, рекомендуемого производителем. Применение зарядного устройства, предназначенного для зарядки аккумуляторных батарей другого типа, может привести к пожару.
- б) Запрещено раскручивать (разбирать) зарядное устройство.
- в) Зарядное устройство предназначено только для работы внутри помещения. Нельзя подвергать его воздействию воды или влаги.
- г) Выполнять зарядку только в диапазоне температуры 15-25 градусов.
- д) Запрещено вкладывать какие-либо металлические предметы в зарядное устройство.

ПРЕДНАЗНАЧЕНИЕ И КОНСТРУКЦИЯ ДРЕЛИ-ШУРУПОВЕРТА:

Аккумуляторная дрель-шурупверт предназначена для ввинчивания и вывинчивания шурупов и саморезов, сверления отверстий в таких материалах, как сталь, древесина, пластмассы и т.п.

Дрель-шурупверт предназначена исключительно для бытовых целей. **Запрещено применять её для работ, требующих применения профессионального инструмента.**

Каждое применение устройства, несоответствующее указанному выше назначению, запрещено и ведёт к потере гарантии и отсутствию ответственности производителя за возникший в результате этого ущерб.

Какие-либо модификации устройства, выполненные пользователем, освобождают производителя от ответственности за повреждения и ущерб, причинённый пользователю и окружающей среде.

Даже применяя устройство по назначению, нельзя полностью исключить определённых факторов остаточного риска. С учётом конструкции устройства может иметь место следующая опасность:

- Прикосновение в процессе работы вращающегося сверла рукой или одеждой оператора.
- Возможность ожога при смене сверла. (В процессе работы сверло сильно разогревается и чтобы избежать ожогов при его смене, необходимо применять защитные рукавицы).
- Отбрасывание обрабатываемого предмета или его части.
- Искривление или поломка сверла.

■ Состав комплекта

- Дрель-шурупверт - 1 шт.
- Зарядное устройство T13LD - 1 шт.
- Аккумулятор T115AK - 1 шт.
- Инструкция по обслуживанию - 1 шт.
- Гарантийная карта - 1 шт.

■ Элементы устройства (см. стр. 2)

- Рис.А**
1. Быстрозажимной сверлильный патрон
 2. Муфта установки крутящего момента
 3. Переключатель скоростей
 4. Переключатель направления вращения
 5. Зацеп для подвешивания на ремне
 6. Ремешок для зацепления на руке
 7. Аккумулятор
 8. Кнопка разблокировки аккумулятора
 9. Включатель
 10. Вспомогательное освещение

Рис.С 11. Зарядное устройство

12. Адаптер
13. Кнопка индикатора уровня заряда батареи
14. Индикатор уровня зарядки батареи

Рис.Е 15. Указатель установки крутящего момента

16. Символ положения «сверление»

Рис.Г 17. Крепящий винт с левой резьбой

ТЕХНИЧЕСКИЕ ПАРАМЕТРЫ:

Напряжение питания	20 В d.c.	
Переключатель скоростей I-II	есть	
Частота вращения без нагрузки (I/II)	$n_1=0-350 / 0-1300$ /мин	
Макс. вращающий момент	25 Нм	
Диапазон зажима сверлильного патрона	$\varnothing 0,8-10$ мм	
Максимальный диаметр сверления	древесина	25 мм
	сталь	13 мм
Вес (с аккумулятором)	1,4 кг	
Уровень звукового давления (LpA)	89,9 дБ(A)	
Уровень звуковой мощности (LwA)	99,9 дБ(A)	
Погрешность измерения $K_{ра}, K_{ша}$	3 дБ(A)	
Уровень вибрации согл. EN 60745, сверление $a_{h,b}$ (погрешность измерения $K=1,5$ м/с ²)	1,746 м/с ²	
Тип аккумулятора	Li-ion (Литий-ионный)	
Напряжение заряда батареи	20 В	
Ёмкость аккумулятора	1500мА	
Напряжение питания зарядного устройства	110-240В, 50-60Гц	
Время зарядки	3-5 ч	

Указанный уровень вибрации соответствует основным применениям электроинструмента. Если электроинструмент будет использован для других применений или с другими рабочими инструментами, а также, если не будет выполнен соответствующий технический уход, уровень вибрации может отличаться от указанного. Указанные выше причины могут привести к усилению воздействия вибраций в течение всего времени работы.

Необходимо применять дополнительные меры безопасности с целью защиты оператора от воздействия вибрации, а именно: технический уход за электроинструментом и рабочими инструментами, обеспечение соответствующей температуры рук, определение очередности рабочих операций.

Заявленное общее значение вибрации и заявленные значения эмиссии шума были измерены в соответствии со стандартным методом испытаний и могут быть использованы для сравнения одного инструмента с другим.

Заявленные общие значения вибрации и заявленные значения эмиссии шума можно использовать в предварительной оценке подверженности опасности.

Предупреждения:

Вибрация и эмиссия шума во время практического использования электроинструмента могут отличаться от заявленных значений в зависимости от способа, которым инструменты используются, в особенности от типа обрабатываемого предмета.

Следует определить средства безопасности с целью защиты оператора, которые основываются на расчете уровня подверженности опасности в состоянии реального использования

(учитывая все этапы операционного цикла, в ходе которых инструмент выключен и когда работает на холостом ходу, за исключением времени высвобождения).

ПРЕЖДЕ ЧЕМ ПРИСТУПИТЬ К РАБОТЕ:

Перед каждым применением следует проверить, правильно ли работают подвижные элементы устройства, проверить отсутствие их блокировки, трещин или повреждений, так как это может иметь влияние на правильную работу электроинструмента. Прежде чем приступить к эксплуатации, необходимо передать повреждённый инструмент на ремонт.

■ Зарядка аккумулятора

Дрель-шуруповёрт поставляется с частично заряженным аккумулятором. Состояние зарядки можно проверить, нажав кнопку индикатора уровня заряда аккумулятора (13). Один светящийся светодиод соответствует низкому уровню заряда батареи, два светящихся светодиода показывают средний уровень, а три светящихся светодиода соответствуют полностью заряженному аккумулятору. Прежде чем начать использовать дрель-шуруповёрт, необходимо полностью зарядить аккумулятор. Первую зарядку зарядным устройством T3JLD рекомендуется выполнять в течение не менее 3 часов.

1. Нажмите кнопку разблокировки аккумулятора (8) и извлеките аккумулятор (7) из дрели-шуруповёрта (рис. B).
2. Подключите аккумулятор (7) к зарядному устройству (11) (см. рис. C).
3. Подключите адаптер (12) к зарядному устройству (11).
4. Подключите адаптер к электрической розетке 110-240 В, 50-60Гц.

■ Сигнализация зарядки батареи

Свечение **зелёного** светодиода означает, что зарядное устройство подключено к источнику питания. После подключения аккумулятора загорится **красный** светодиод, указывающий, что выполняется зарядка. Это также указывается мигающими зелеными светодиодами аккумулятора, отображающими текущий уровень заряда батареи.

Когда аккумуляторная батарея будет полностью заряжена красный светодиод погаснет и загорится зелёный светодиод.

После окончания зарядки, отключите зарядное устройство от сети и извлеките аккумулятор.

ВНИМАНИЕ! Во время зарядки батарея может слегка нагреться, это нормальная ситуация.

Литий-ионный аккумулятор можно заряжать в произвольный момент, без снижения в результате этого его долговечности. Прекращение процесса зарядки не несёт риска повреждения элементов аккумулятора.

ВОВРЕМЯ РАБОТЫ:

■ Включение/выключение

Установленный выключатель (9) имеет плавную регулировку частоты вращения.

Чтобы включить электроинструмент, необходимо нажать выключатель. При увеличении глубины нажатия кнопки увеличивается частота вращения. Для остановки электро-инструмента выключатель необходимо отпустить.

■ Выбор направления вращения (рис. E)

Дрель-шуруповёрт может вращаться в направлении ввинчивания, по часовой стрелке (правое вращение), или в направлении вывинчивания - против часовой стрелки (левое вращение):

- чтобы установить правое вращение, необходимо переместить ползунок переключателя левое / правое вращение (4) влево (если смотреть сзади дрели),

- чтобы установить левое вращение, необходимо переместить ползунок переключателя левое / правое вращение (4) вправо (если смотреть сзади дрели).

Если переключатель направления вращения находится в центральном положении, выключатель (9) заблокирован.

Для сверления и ввинчивания шурупов (винтов) необходимо установить правое вращение. Для извлечения сверла, освобождения заклинившего сверла и для вывинчивания шурупов необходимо установить левое вращение.

■ Выбор крутящего момента (рис. F)

Дрель-шуруповёрт имеет регулировочную муфту (2), предназначенную для установки крутящего момента при ввинчивании шурупов (винтов). На регулировочной муфте обозначено 22 позиции: от 1 до 21 и позиция «сверление».

Установка регулировочной муфты в выбранной позиции (от 1 до 21) обеспечивает надёжную и стабильную установку передачи на определённую величину крутящего момента. Это позволяет предотвратить слишком глубокое ввинчивание шурупа или повреждение шурупа (винта). Для разных шурупов (винтов) и разных материалов применяются разные величины крутящего момента при ввинчивании.

Всегда необходимо начинать от малого вращающего момента и постепенно увеличивать его до получения удовлетворительного результата.

Чтобы сверлить в металле, древесине и пластмассе необходимо установить муфту (2) так, чтобы указатель (15) совпал с символом (16).

■ Переключение скорости (рис. A)

При помощи переключателя скоростей (3) можно выбрать два предела частоты вращения.

Скорость I: Применяется для ввинчивания или вывинчивания шурупов и винтов.

Скорость II: Применяется для сверления.

ВНИМАНИЕ: Не изменять позицию переключателя скорости (3) во время работы электроинструмента, это может повредить его механизм передачи. Прежде чем изменять установку переключателя скоростей, необходимо дождаться полной остановки вращения электроинструмента.

Если переключатель скорости невозможно переместить до упора, необходимо слегка повернуть приводной шпиндель.

■ Смена патрона (рис. G):

1. Отсоединить аккумулятор (7) от дрели-шуруповёрта.
2. Максимально раскрыть патрон (1).
3. Отвинтить отвёрткой PH 2 (Philips № 2) крепящий патрон винт, вращая его по часовой стрелке. (**ВНИМАНИЕ! Левосторонняя резьба**). Заевший винт можно ослабить слегка ударив в его головку.
4. Отвинтить патрон дрели-шуруповёрта, вращением против часовой стрелки (глядя со стороны патрона).

ВНИМАНИЕ: В случае заклинивания быстрозажимного сверлильного патрона (1) на шпинделе, его можно освободить закрепив в нём более короткое плечо шестигранного ключа и резко ударяя в длинное плечо ключа (см. рис. D).

5. Чтобы установить патрон необходимо навинтить его на шпindelь, вращая по часовой стрелке (если смотреть со стороны патрона) и зафиксировать крепящим винтом, завинчивая его отвёрткой PH 2 (Philips № 2) вращением против часовой стрелки.

ДОПОЛНИТЕЛЬНЫЕ ЭЛЕМЕНТЫ:

- Практичный зацеп (5) служит для подвешивания дрели-шуруповёрта на ремне пользователя и может использоваться как правшами, так и левшами.
- Дрель-шуруповёрт оснащён вспомогательной подсветкой (10) места сверления/ввинчивания, включающейся при нажатии включателя (9).

■ Вкладывание и извлечение сверла из быстрозажимного патрона

ВНИМАНИЕ: Отключить аккумулятор от дрели или установить переключатель направления вращения (4) в среднее положение, чтобы предохранить от случайного включения электроинструмента, что может привести к травме пользователя.

При отпущенном включателе (9) шпindelь дрели находится в заблокированном состоянии. Это позволяет быстро, удобно и просто выполнять смену рабочего инструмента в сверлильном патроне. Для извлечения сверла (или рабочего наконечника) из патрона необходимо одной рукой вращать кольцо патрона влево, чтобы увеличить посадочное отверстие в патроне. Чтобы вставить сверло (или рабочий наконечник) в патрон необходимо вращать кольцо патрона вправо для зажатия сверла (рабочего наконечника) в патроне.

Сверло (или другой рабочий наконечник) необходимо вкладывать в патрон до упора.

■ Сверление отверстий

1. При выполнении глубоких отверстий необходимо сверлить постепенно, на меньшую глубину, извлекая сверло из отверстия, что позволяет удалять стружку из отверстия.
2. При сверлении отверстий большого диаметра рекомендуется начинать от сверления меньшего отверстия, а затем рассверлить его до требуемого размера. Это предотвратит возможную перегрузку дрели.
3. Если произойдёт защемление сверла в процессе сверления необходимо немедленно выключить дрель, чтобы не допустить её повреждения. Используя изменение направление вращения необходимо устранить сверло из отверстия.
4. Необходимо удерживать дрель вдоль оси выполняемого отверстия. Сверло должно находиться под прямым углом к поверхности обрабатываемого материала. В случае не соблюдения перпендикулярности во время работы может наступить защемление или поломка сверла в отверстии, а в крайних случаях травма пользователя.
Регулировка частоты вращения шпинделя осуществляется изменением силы нажима на включатель.

■ Ввинчивание шурупов:

Рекомендуется предварительно выполнить направляющее отверстие, глубиной немного больше, чем длина шурупа, и диаметром немного меньше внешнего диаметра резьбы шурупа. Если шуруп находится вблизи края материала, выполнение направляющего отверстия предотвращает возможное откалывание материала.

Если при ввинчивании появятся трудности с углублением шурупа, необходимо вывинтить шуруп и несколько увеличить направляющее отверстие.

Если ввинчивание и дальше происходит с трудом (это может иметь место в случае твёрдых пород дерева) необходимо попытаться использовать смазывающее средство (напр. мыльный раствор). Необходимо оказывать необходимый нажим на дрель-шуруповёрт, чтобы не допустить вращения отвёрточного наконечника относительно головки шурупа. Применять отвёрточные наконечники точно подходящие к головке шурупа. Повреждение гнезда шурупа может сделать невозможным ввинчивание или вывинчивание шурупа.

ХРАНЕНИЕ И ТЕХНИЧЕСКИЙ УХОД:

Аккумуляторная дрель-шуруповёрт в принципе не требует специальных процедур по техническому уходу. Дрель следует хранить в месте, недоступном для детей, содержать в чистоте, защищать от влаги и попадания пыли. Условия хранения должны исключать возможность механических повреждений и влияния атмосферных условий.

ВНИМАНИЕ: Прежде чем начать процедуры чистки и технического ухода необходимо отключить аккумулятор от дрели-шуруповёрта и извлечь штепсельную вилку зарядного устройства из розетки.

Зарядное устройство нужно чистить при помощи сухой тряпочки. Вентиляционные отверстия электроинструмента очищать сухой щёткой или тряпочкой.

Периодически демонтировать патрон и высыпать из его отверстия пыль и другие загрязнения.

Корпус инструмента следует чистить влажной тряпочкой с небольшим количеством мыла. Не применять каких-либо чистящих средств или растворителей; они могут повредить части устройства, изготовленные из пластмассы. После чистки дождаться, пока инструмент полностью высохнет.

ТРАНСПОРТИРОВКА:

Электроинструмент следует транспортировать и складировать в упаковке, защищающей от влаги, проникновения пыли и мелких объектов, особенно необходимо защитить вентиляционные отверстия. Мелкие элементы, попавшие вовнутрь корпуса, могут повредить двигатель.

Если вы вынимаете аккумулятор из устройства на время транспортировки или хранения, убедитесь, что контакты аккумулятора не будут закорочены. Из чемодана, ящика для инструментов или транспортного контейнера следует удалить металлические детали, такие как винты, гвозди, кронштейны, разбросанные биты, провода или металлические опилки, или иным образом не допустить контакта этих элементов с батареей.

ПРОИЗВОДИТЕЛЬ:

ООО «ПРОФИКС»,
ул. Марьевильска 34,
03-228 Варшава, ПОЛЬША

Настоящее устройство соответствует польским и европейским стандартам, а также указаниям по технике безопасности.

ВНИМАНИЕ! В случае технических проблем обратитесь в авторизованный сервисный центр. Все работы по ремонту должны выполняться квалифицированным персоналом с применением оригинальных запасных частей.

ПИКТОГРАММЫ:

Описание знаков, имеющихся на щитке и информационных наклейках на электроинструменте:



— «Перед включением и началом работы необходимо прочитать инструкцию по эксплуатации.»



— «Защищайте аккумуляторную батарею от высоких температур, напр., от длительного нагревания на солнце.»



— «Не выбрасывайте аккумуляторы в огонь.»



— «Не выбрасывайте аккумуляторы в воду.»



— «Только для использования внутри помещений.»

ЗАЩИТА ОКРУЖАЮЩЕЙ СРЕДЫ:



ВНИМАНИЕ: Указанный символ означает запрет размещения использованных электроинструментов вместе с другими отходами (за это грозит наказание в виде штрафа). Опасные компоненты, имеющиеся в электрическом и электронном оборудовании, отрицательно влияют на окружающую среду и здоровье.

Домашнее хозяйство должно способствовать восстановлению и повторному использованию (рециклированию) использованного оборудования. В Польше и в Европе создаётся или уже существует система сбора использованного оборудования, предусматривающая, что все пункты продажи в/у оборудования обязаны принимать использованное оборудование. Кроме того, имеются пункты приёма в/у оборудования.

ТИПИЧНЫЕ НЕИСПРАВНОСТИ И ИХ УСТРАНЕНИЕ:

ПРОБЛЕМА	ВОЗМОЖНАЯ ПРИЧИНА	РЕШЕНИЕ ПРОБЛЕМЫ
Дрель-шурупверт не работает.	Отсутствие питания, повреждение электродвигателя или включателя.	Проверить состояние батареи, в случае необходимости выполнить её подзарядку или заменить на новую. Если электроинструмент всё равно не работает, необходимо отправить его в сервисный пункт по указанному в гарантийной карте адресу.
Нарушение работы электродвигателя.	Разряжена батарея.	Зарядить батарею.
	Изношены угольные щётки.	Заменить угольные щётки в сервисном пункте.



Политика компании PROFIX - это политика постоянного совершенствования своих изделий, поэтому компания сохраняет за собой право изменения спецификации изделия без предварительного уведомления. Изображения, имеющиеся в инструкции, являются примерными и могут незначительно отличаться от фактического вида приобретённого электроинструмента.

Настоящая инструкция по эксплуатации защищена авторскими правами. Запрещено её копирование и размножение без согласия ООО «ПРОФИКС».

RO**INSTRUCȚIUNE DE FOLOSIRE
MAȘINA DE GĂURIT/ÎNȘURUBAT CU ACUMULATOR TJV10AL**

Traducere din instrucțiunea originală

**ÎNAINTE DE UTILIZARE, CITIȚI ACESTE INSTRUCȚIUNI.**

Păstrează instrucțiunile pentru o folosire viitoare.

**ATENȚIE!** Citește toate avertismentele referitoare la protecția muncii marcate cu simboluri ⚠ și toate indicațiile referitoare la utilizarea în siguranță.

Nerespectarea avertismentelor de mai jos, poate duce la accidente și la electrocutare, incendii și/sau la vătămări corporale.

Păstrează toate avertismentele și indicațiile referitoare la protecția muncii, pentru a le folosi în viitor.*În avertismentele de mai jos, termenul "unealtă electrică" înseamnă unealtă care este alimentată de la rețea (cu cablu de alimentare) sau unealtă electrică alimentată din baterie (fără cablu).***ATENȚIE! Reguli generale de protecție a muncii.****Siguranța la locul de muncă:**

- La locul de muncă păstrează curățenie și bună iluminare. Zonele și bancurile de lucru aglomerate cheamă accidente.
- Nu utilizați unealta electrică în atmosferi explozive, formate din lichide inflamabile, gaze sau lichide. Unelata electrică produce scântei, care pot aprinde praful sau aburul.
- Țineți copiii departe de locurile în care unealta electrică este folosită. Distragerea atenției poate duce la pierderea atenției asupra unelei electrice.

**ATENȚIE! Reguli generale cu privire la utilizarea în siguranță a uneltei.****Siguranța electrică:**

- Ștecherul uneltei electrice trebuie să fie conforme cu priza. Este interzisă modificarea ștecherului. Este interzisă utilizarea prelungitoarelor în cazul uneltelor electrice cu cablu de legare la pământ de protecție. Nemodificarea ștecherelor și a prizelor micșorează riscul de electrocutare.
- Evitați să atingeți suprafața de împănăntenire sau conectările la masă, cum ar fi conducte, radiatoare, radiatoare de încălzire centrală și frigider. În cazul atingerii părților împănăntenite, crește riscul de electrocutare.
- Nu expuneți sculele electrice în condiții de ploaie sau mediu umed. În caz de infiltrație cu apă, crește riscul de electrocutare.
- Nu abuzați de cablurile de conectare. Nu folosiți cablul de alimentare la mutarea, tragerea uneltei sau tragerea ștecherului din priză. Păstrați cablul de alimentare departe de surse de căldură, ulei, mυχii ascuțiți sau părți în mișcare. Cablurile deteriorate sau încurcate cresc riscul de electrocutare.
- În cazul în care unealta electrică este folosită în aer liber, conectarea trebuie efectuată cu ajutorul prelungitoarelor destinate funcționării în aer liber. Folosirea prelungitorului destinat funcționării în aer liber, micșorează riscul de electrocutare.
- Vă recomandăm să racordați aparatul la o rețea electrică dotată cu un comutator cu curent diferențial (RCD) cu amperaj de acționare de 30mA sau mai mic.
- În cazul în care unealta electrică este folosită în mediu umed, este inevitabilă, utilizarea unui dispozitiv de protecție împotriva tensiunii de alimentare, cum ar fi aplicarea unui dispozitiv de curent rezidual (RCD). Folosirea RCD micșorează riscul

de electrocutare.

**ATENȚIE!** Avertismentele generale cu privire la siguranța folosirii uneltei.**Siguranță personală:**

- Acest echipament nu este destinat utilizării de către persoane (inclusiv copii) cu abilități fizice reduse, senzoriale sau mentale, sau de persoane care nu au experiență sau nu cunosc echipamentul, cu excepția cazului în care are loc sub supraveghere sau în conformitate cu instrucția de folosire a echipamentului, de către o persoană responsabilă pentru siguranța lor.
- Trebuie să fii atent, să aveți grijă ce faceți și să păstrați bun simț în timpul folosirii uneltei electrice. Nu folosiți unealta electrică, când sunteți obosiți sau sub influența drogurilor, alcoolului sau a medicamentelor. Un moment de neatenție în timpul lucrului cu unelata electrică poate cauza vătămări personale grave.
- Folosiți echipament de protecție. Purtați întotdeauna ochelari de protecție. Folosind echipamentul de protecție cum ar fi masca de praf, pantofi cu anti-alunecare, căști sau protecție auditivă, micșorează riscul de vătămare.
- Evitați pornirea accidentală. Înainte de conectarea la sursa de alimentare și/sau înainte de conectarea bateriei și înainte de ridicarea sau mutarea uneltei asigurativă că comutatorul uneltei electrice este în poziția oprită. Mutarea uneltei electrice cu degetul pe comutator sau conectarea uneltei electrice la rețeaua de alimentare în poziția pornită poate provoca un accident.
- Înainte de pornirea uneltei electrice îndepărtați toate uneltele din apropiere. Lăsarea de unelte pe părțile de mișcare ale uneltei electrice poate duce la vătămări corporale.
- Nu vă apliceți prea mult. Trebuie să stați sigur și să mențineți echilibrul. Acest lucru va permite un control mai bun asupra uneltei electrice în situații neașteptate.
- Îmbrăcați-vă corespunzător. Nu purtați haine largi sau bijuterii. Țineți părul strâns, hainele și mânușile departe de părțile în mișcare. Hainele largi, bijuteria sau praful lung se pot agăța de părțile în mișcare.
- Dacă echipamentul este potrivit pentru conectarea extractorului de praf extern și a colectorului de praf, asigurativă că acestea sunt conectate și folosite corect. Folosirea colectorului de praf poate reduce riscul de pericole legate de praf.
- Nu permiteți ca abilitățile obținute prin utilizarea frecventă a sculei electrice să vă facă să vă simțiți prea încrezători în sine și să ignorați regulile de siguranță. Acțiunile necorespunzătoare pot provoca vătămări grave într-o fracțiune de secundă.

**ATENȚIE!** Avertismentele generale cu privire la folosirea în siguranță a uneltei.**Utilizarea și îngrijirea uneltei electrice:**

- Nu supraîncărcați unealta electrică. Utilizați o unealtă electrică în funcție de puterea necesară muncii efectuate. Unelata electrică corectă va permite o funcționare mai bună și este sigură în cazul însărcinării, pentru care a fost proiectată.
- Este interzisă utilizarea uneltei electrice dacă comutatorul nu pornește și nu oprește unealta. Fiecare unealtă electrică care nu pornește sau nu se oprește este periculoasă și trebuie reparată.

- c) **Deconectați ștecherul de la sursa de alimentare a unelei electrice și/sau deconectați bateria înainte de orice setare, schimbare de părți sau depozitare.** *Aceste mijloace de protecție reduc riscul unei porniri accidentale a unelei electrice.*
- d) **Unealta electrică nefolosită trebuie depozitată departe de copii și nu trebuie împrumutată persoanelor care nu cunosc unealta electrică sau care nu au citit această instrucție de folosire a unelei electrice.** *Unealta electrică este periculoasă când este folosită de o persoană fără experiență.*
- e) **Unealta electrică trebuie bine întreținută.** *Trebuie controlată alinierea sau bruierea pieselor în mișcare, ruperea pieselor și alți factori care pot avea influență la funcționarea unelei electrice. Dacă găsim o deteriorare, unealta electrică înaintea folosirii trebuie reparată.* *Cauza multor accidente este întreținerea necorespunzătoare a unelei electrice.*
- f) **Unelele de tăiere trebuie să fie ascuțite și curate.** *Întreținerea părților ascuțite ale uneltelor de tăiere reduce riscul de blocare în material și ușurează folosirea.*
- g) **Unealta electrică, echipamentul, unelele de lucru, etc. trebuie folosite în conformitate cu această instrucție, ținând cont de tipul și condițiile de lucru.** *Utilizarea unelei electrice în alt mod decât este destinația, poate duce la situații periculoase.*
- h) **La temperaturi scăzute, sau după o perioadă îndelungată de nefolosire, este recomandată pornirea unelei electrice fără sarcină pentru câteva minute pentru a distribui corect unsoarea în mecanismul de transmisie.**
- i) **Pentru curățirea unelei electrice folosiți o cârpă moale, umedă (nu udă) și săpun.** *Nu folosiți benzină, diluanți sau alte mijloace care pot deteriora echipamentul.*
- j) **Unealta electrică trebuie depozitată/transportată numai după ce ne-am asigurat că toate elementele în mișcare sunt blocate și asigurate cu ajutorul elementelor originale destinate blocării.**
- k) **Unealta electrică trebuie păstrată într-un loc uscat, asigurat împotriva prafului și a umezelii.**
- l) **Transportul unelei electrice trebuie să aibă loc în ambalajul original, asigurat împotriva deteriorărilor mecanice.**
- m) **Mănerile și suprafețele de prindere trebuie să fie menținute curate fără ulei și grăsime.** *Mănerile și suprafețele de prindere alunecoase nu permit ținerea în siguranță și controlul sculei în situații neașteptate.*



ATENȚIE! Avertismente generale cu privire la folosirea în siguranță a unelei.

Repararea:

- a) **Reparații în garanție și postgaranție ale uneltelor dumneavoastră electrice sunt efectuate de Service-ul PROFIX, ceea ce garantează calitatea cea mai ridicată a reparațiilor și utilizarea de piese originale de schimb.**



ATENȚIE! Mașina de găurit/însurubat cu acumulator, avertizări referitoare la siguranță –

Siguranța personală:

- a) **Folosiți protecție auditivă în timp ce utilizați mașina de găurit-înfiletat.** *Expunerea la zgomot poate provoca pierderea auzului.*
- b) **În timp ce efectuați lucrări pe durata cărora unealta sau șurubul poate să atingă cablurile electrice ascunse sau propriul cablu de alimentare, trebuie să țineți unealta electrică de suprafețele izolate ale mânerului.** *Contactul cu cablul rețelei de alimentare aflate sub tensiune poate cauza transmiterea tensiunii pe părțile metalice ale unelei electrice, fapt ce poate cauza electrocutarea.*

- c) **Utilizați instrumente adecvate de localizare a cablurilor ascunse de alimentare sau cereți ajutor de la instituțiile municipale.** *Contactul cu cablurile aflate sub tensiune poate cauza apariția incendiului sau electrocutarea. Deteriorarea țevii de gaz poate cauza explozie. Perforarea conductei de apă și canalizare poate cauza pagube materiale sau electrocutare.*
 - d) **Nu prelucrați materiale care conțin azbest.** *Azbestul este considerat a fi cancerigen.*
 - e) **Locul de muncă trebuie păstrat curat.** *Amestecul de materiale este foarte periculos. Pulberile de metal ușor se pot aprinde sau exploda.*
 - f) **Asigurați elementul prelucrat.** *Asigurați-vă că toate elementele de fixare sunt bine strânse și verificați să nu fie prea mari distanțe. Fixarea elementului prelucrat în echipamentul de fixare sau menșină este mai sigur decât ținerea elementului cu mâna.*
 - g) **Unealta electrică în timpul utilizării trebuie ținută cu ambele mâini de mânerul principal și suplimentar, menținând o poziție stabilă.** *Utilizarea unelei electrice este mai sigură dacă este ținută cu ambele mâini.*
 - h) **Oprii imediat unealta electrică, dacă se blochează unealta folosită.** *Fiți pregătiți pentru vibrații puternice, care pot duce la recul. Unealta utilizată se blochează când: unealta electrică este supraîncălzită, sau când se îndoaie în element.*
 - i) **Înainte de așezarea unelei electrice pe banc, așteptați până unelata se oprește.** *Unelata folosită se poate bloca și duce la pierderea controlului asupra acesteia.*
 - j) **Folosiți unealta electrică doar cu bateria, acumulatorul special proiectat/ă pentru alimentarea acesteia.** *În cazul în care folosiți altă baterie, acumulator există riscul de rănire sau de incendiu.*
- Instrucțiuni de siguranță în cazul utilizării burghiilor lungi:**
- a) **Nu lucrați niciodată la o viteză mai mare decât viteza maximă a burghiului.** *Întotdeauna începeți găurirea la viteză mică, după ce burghiul intră în contact cu piesa de prelucrat. La viteze mai mari, burghiul se poate îndoi, în cazul în care se rotește liber fără contact cu piesa de prelucrat, provocând vătămări corporale.*
 - b) **În timpul găuririi, apăsați burghiul pe piesa prelucrată în linie cu burghiul, nu apăsați prea tare burghiul.** *Burghiile se pot îndoi, provocând deteriorări sau pierderea controlului, ceea ce poate provoca vătămări.*



ATENȚIE! Utilizare sigură a acumulatorilor și încărcătorilor:

Utilizare acumulator:

- a) **Utilizați numai acumulatorii care corespund la specificarea dată de producător.** *În cazul utilizării unor alte acumulatori, se poate întâmpla o crăpare, o descompunere, o vătămare corporală sau un incendiu.*
- b) **ATENȚIE!** *În cazul în care acumulatorul se deteriorează sau este folosit necorespunzător pot apărea emisii de gaze explozive. Acumulatorul trebuie ținut departe de sursa de foc și trebuie să asigure ventilație corespunzătoare în timp ce este încărcat. Nu lăsați acumulatorul pentru mult timp în mediu cu temperatură ridicată (în locuri expuse la lumina soarelui, în apropierea caloriferelor și în toate locurile unde temperatura depășește 40°C).*
- c) **Încărcarea acumulatorului trebuie să se efectueze în mediul cu temperatura între 15-25 de grade °C.**
- d) **Încărcați unealta doar cu încărcătorul recomandat de producător.** *În cazul în care folosiți un încărcător proiectat pentru încărcarea altor baterii, acumulatorii există riscul de rănire sau de incendiu.*

- e) Nu expuneți acumulatorul la acțiunea apei și umidității.
- f) Dacă intenționați să încărcați mai multe decât un singur acumulator, trebuie să faceți o pauză de 30 de minute între încărcării succesive.
- g) În nici un caz nu deschideți acumulatorul.
- h) În condiții nefavorabile din acumulator se poate scurge lichid; evitați contactul cu lichidul. În cazul în care utilizatorul intră în contact cu lichidul, trebuie să spălați locul cu apă. În caz de contact cu ochiul, trebuie să apelați la ajutorul medicului. Lichidul scurs din acumulator poate provoca iritații sau arsuri.
- i) În cazul în care nu utilizați bateria acumulator, trebuie să o depozitați departe de obiecte metalice precum agrafe de birou, monede, chei, cuie, șuruburi, sau alte obiecte metalice de dimensiuni mici, care pot scurtcircuita bornele acumulatorului. Scurtcircuitarea acumulatorului poate provoca arsuri sau incendiu.
- j) Nu aruncați acumuloarele în foc.
- k) Nu încărcați acumulator stricat.



Acumuloarele sunt destinate pentru încărcare multiplă, conțin litiu care este dăunător pentru mediul înconjurător. După perioada de folosire, acumulatorul trebuie utilizat în conformitate cu legislația despre protecția mediului natural.

În acest sens, acumulatorul trebuie total epuizat, scos din electroutilaj și predat la un punct de utilizare a acumuloarelor sau la magazinul, în care a fost cumpărat.

Utilizare încărcător:

- a) Pentru încărcare folosiți doar încărcătorul recomandat de producător. Folosirea încărcătorului proiectat pentru încărcarea altui tip de baterii acumuloare poate provoca incendiu.
- b) Încărcătorul livrat poate fi folosit doar pentru a încărca acumuloarele care sunt livrate împreună cu acesta. Dacă încărcați alte acumuloare, acestea se pot crăpa sau descompune, vă puteți răni sau puteți provoca un incendiu.
- c) Nu demontați încărcătorul.
- d) Încărcătorul poate fi folosit doar în încăperil. Nu expuneți încărcătorul la acțiunea apei și umidității.
- e) Încărcați doar în intervalul de temperaturi 15°-25° C.
- f) Nu introduceți niciun fel de obiecte metalice în încărcător.

DESTINAȚIA ȘI CONSTRUCȚIA MAȘINII DE GĂURIT/ÎNȘURUBAT:

Mașina de găurit/înșurubat cu acumulator este destinată înșurubării și deșurubării diblurilor, găuririi în materialele precum oțel, lemn, material artificial ș.a.m.d.

Mașina de găurit/înșurubat este destinată numai pentru uz casnic amator.

Este interzisă folosirea unelei pentru executarea de lucrări care necesită unelte profesionale.

Fiecare utilizare a aparatului neconformă cu destinația acestuia, astfel cum a fost descrisă mai sus, este interzisă și duce la pierderea garanției și lipsa răspunderii producătorului pentru pagubele apărute în aceste cazuri. Toate modificările aparatului efectuate de utilizator îl exceptă pe producător de responsabilitate pentru pagubele provocate utilizatorului și mediului.

În ciuda utilizării în conformitate cu destinația, nu pot fi eliminați în totalitate anumiți factori de risc. Datorită construcției și proiectării, putem întâlni următoarele pericole:

- Atingerea cu mâna a burghiului în mișcare, a îmbrăcăminții.
- Arsuri în timpul înlocuirii burghiului. (În timpul funcționării burghiul se încălzește, și pentru a evita arsurile în timpul înlocuirii folosiți mânușul de protecție).
- Reculul elementului prelucrat sau a părților acestuia.
- Curbare/rupere a burghiului.

■ Completare

- Mașina de găurit/înșurubat cu acumulator -1 buc.
- Încărcător TJ3LD -1 buc.
- Acumulator TJ15AK -1 buc.
- Instrucțiuni de utilizare -1 buc.
- Garanție -1 buc.

■ Elementele mașinii (vezi pag. 2):

Des.A 1. Mandrină cu strângere rapidă

2. Mâner reglare arc
3. Comutator viteze
4. Comutator direcție turajie
5. Cataramă pentru suspendat pe curea
6. Curea pentru prindere pe mână
7. Acumulator
8. Încălzitor blocadă acumulator
9. Buton pornire
10. Iluminat auxiliar

Des.C 11. Încărcător

12. Adaptor
13. Buton indicator nivel de încărcare baterii
14. Indicator nivelului de încărcare a bateriei

Des.F 15. Indicator setare arc

16. Pictogramă poziție găurire

Des.G 17. Șurub fixe care înfiletare stângă

DATE TEHNICE:

Tensiune de alimentare	20 V d.c.
Comutator viteze I-II	există
Viteză de rotire fără sarcină (Viteza I/II)	$n_r=0-350 / 0-1300/\text{min}$
Moment de rotație maxi	25 Nm
Domeniu prindere mandrină	$\varnothing 0,8-10 \text{ mm}$
Diametru maxim de găurire	lemn 25 mm
	oțel 13 mm
Masă (cu acumulatorul)	1,4 kg
Nivel de presiune acustică (LpA)	89,9 dB(A)
Nivel de putere acustică (LwA)	99,9 dB(A)
Incertitudine K_{pA}, K_{wA}	3 dB(A)
Nivelul de vibrații conform EN 60745, găurire $a_{h,v}$ (incertitudine $K=1,5 \text{ m/s}^2$)	1,746 m/s^2
Tip de acumulator	Li-ion
Tensiune de încărcare acumulator	20 V
Capacitate acumulator	1500mA
Tensiune de alimentare încărcător	110-240V, 50-60Hz
Timpe de încărcare	3-5 ore

Nivelul menționat de vibrații este reprezentativ pentru utilizarea aparatului electric. Dacă aparatul electric va fi utilizat pentru alte scopuri sau cu alte instrumente de lucru precum și dacă nu va fi întreținut corespunzător, nivelul de vibrații ar putea diferi de cel indicat. Motivele indicate mai sus pot duce la sporirea nivelului de expunere la vibrații pe toată durata timpului de funcționare.

Trebuie să introduceți mijloace adiționale de siguranță, care au scopul de a proteja operatorul de efectele de expunere la vibrații, de ex.: Întreținere aparat electric și instrumente de lucru, asigurarea temperaturii corespunzătoare a mâinilor, stabilirea ordinii operațiilor de muncă.

Valoarea totală declarată a vibrațiilor și valorile declarate ale emisiilor de zgomot au fost măsurate în conformitate cu metoda standard de testare și pot fi utilizate pentru a compara un dispozitiv cu altul.

Valoarea totală declarată a vibrațiilor și valorile declarate ale emisiilor de zgomot pot fi utilizate în evaluarea inițială a expunerii.

Avertismente:

Vibrațiile și emisiile de zgomot în timpul utilizării efective a sculei electrice pot să difere de valorile declarate în funcție de modul în care sunt utilizate uneltele, în special de tipul piesei prelucrate.

Trebuie determinate măsuri de siguranță pentru protejarea operatorului, care se bazează pe estimarea expunerii în starea reală de utilizare (luând în considerare toate părțile ciclului de operare, cum ar fi timpul în care instrumentul este oprit și când funcționează în ralanti, cu excepția timpului de declanșare).

PREGĂTIRE PENTRU UTILIZARE:

Înainte de fiecare utilizare trebuie să verificați dacă piesele mobile ale aparatului funcționează în mod corespunzător și nu sunt blocate sau deteriorate ceea ce ar putea avea impact asupra modului de funcționare a uneltei. Unealta deteriorată trebuie reparată înainte de a o utiliza din nou.

■ Încărcare acumulator

Mașina de găurit-înfiletat este livrată cu acumulatorul parțial încărcat. Pentru a verifica nivelul de încărcare apăsați butonul indicatorului nivelului de încărcare a bateriilor (13). În cazul în care doar o singură diodă LED este aprinsă înseamnă că nivelul de încărcare al bateriei este scăzut, în cazul în care se aprind două diode înseamnă că nivelul de încărcare este mediu, iar trei diode aprinse înseamnă că acumulatorul este încărcat integral. Înainte de utilizare trebuie să încărcați complet acumulatorul. Se recomandă ca prima încărcare cu ajutorul încărcătorului T33LD să dureze minimum 3 ore.

1. Apăsați butonul de blocare al acumulatorului (8) și scoateți acumulatorul (7) din mașina de găurit-înfiletat (Des. B).
2. Conectați acumulatorul (7) la încărcător (11) (vezi des. C).
3. Conectați ștecherul adaptorului (12) la încărcător (11).
4. Conectați adaptorul la priză de rețea 110-240V, 50-60Hz.

■ Semnalizare încărcare baterie

Dioda verde LED aprinsă pe încărcător informează că încărcătorul este conectat la sursa de alimentare. După conectarea acumulatorului se aprinde dioda roșie, care informează că încărcarea este în curs. Acest lucru este semnalizat de diodele verzi LED ale acumulatorului, care indică nivelul actual de încărcare al bateriilor.

Atunci când bateria este încărcată integral, dioda roșie se va stinge și se aprinde dioda verde.

După ce procesul de încărcare s-a terminat, decuplați încărcătorul de la rețea și scoateți acumulatorul.

ATENȚIE! Pe durata încărcării acumulatorului se poate încălzi puțin, acesta este un fenomen normal.

Acumulatorul litiu-ion poate fi încărcat în orice moment, fără a afecta în

niciun fel durata de viață a acestuia. Întreruperea procesului de încărcare nu duce la deteriorarea celulelor acumulatorului.

ÎN TIMPUL UTILIZĂRII:

■ Pornire/oprire

Butonul de pornire instalat (9) posedă regularea fluidă a vitezei de turație.

Pentru a porni unealta electrică trebuie să apăsați pe butonul de pornire. Viteza de turație va crește pe măsură ce apăsați mai tare pe buton. Pentru a opri unealta electrică trebuie să dați drumul la butonul de pornire.

■ Selectare direcție turație (vezi des. E)

Mașina de găurit-înfiletat are posibilitatea de funcționare cu direcția turației conform direcției acelor de ceas (rotație dreapta) sau contrară direcției acelor de ceas (rotație strânga):

- pentru a seta direcția de rotație în dreapta, trebuie să mișcați glosorul comutatorului de rotație stânga/dreapta (4) în stânga (văzut din spatele aparatului),

- pentru a seta direcția de rotație în stânga, trebuie să mișcați glosorul comutatorului de rotație stânga/dreapta (4) în dreapta (văzut din spatele aparatului).

Atunci când comutatorul direcției de rotație se află în mijloc butonul de pornire (9) este blocat.

Pentru a găuri și pentru a înfileta trebuie să setați direcția de rotație dreapta. Pentru a retrage burghiul, a scoate burghiul blocat și pentru a desfileta șuruburile trebuie să setați direcția de rotație stânga.

■ Selectare turație de rotație (des. F)

Mașina de găurit-înfiletat este dotată cu un inel (2), folosit pentru setarea turației de rotație la înfiletarea șuruburilor. Pe inel sunt însemnate 22 poziții, de la 1 la 21 și poziția de găurire.

Setarea inelului la poziția selectată (de la 1 la 21) stabilește valoarea de întindere a arcului la mărimea stabilită de turație. Acest lucru permite asigurarea împotriva strângerii prea adânci sau deteriorării șurubului. Pentru diferite tipuri de șuruburi și de materiale se vor folosi valori diferite ale turației de rotație.

Trebuie să începeți mereu cu o turație mică și să creșteți turația treptat până ce atingeți rezultatul dorit.

Pentru a găuri în metal, lemn și materiale plastice trebuie să setați inelul (2) astfel încât indicatorul (15) să acopere simbolul (16).

■ Schimbare viteze (des. A)

Folosiți comutatorul de viteze (3) pentru a selecta 2 intervale de viteze de rotație.

Viteza I: Este folosită pentru înfiletarea și desfiletarea șuruburilor.

Viteza II: Este folosită pentru găurit.

ATENȚIE: Nu schimbați poziția comutatorului de viteze (3) în timpul funcționării uneltei, acest lucru poate avaria pârghia acestuia. Unealta trebuie să se oprească înainte de a schimba setarea comutatorului de viteze. În cazul în care comutatorul de viteze nu poate fi mutat la valoarea maximă trebuie să mișcați puțin axul de turație.

■ Schimbare mâner (des. G)

1. Scoateți acumulatorul (7) din mașina de găurit-înfiletat.
2. Deschideți mânerul la maxim (1).
3. Desfiletați șurubul de fixare a mandrinăi cu șurubelnița PH 2 (Philips Nr 2) conform direcției acelor de ceas (**ATENȚIE! Filet stânga**). Loviți ușor în șurubul blocat pentru a-l debloca.
4. Defiletați mânerul mașinii de găurit-înfiletat în direcția opusă mișcării acelor de ceas (privit dinspre mâner).

ATENȚIE: Mandrina pentru găurit cu cuplare rapidă blocată (1) poate fi

eliberată prin introducerea părții scurtă a cheii hexagonale în mandrină și prin lovirea ușoară a părții lungi a acesteia (vezi des. D).

5. Pentru a monta mandrina trebuie să o înfiletați pe ax conform direcției acelor de ceas (văzut dinspre mandrină) și să asigurați cu șurubul de fixare, și să-l înfiletați cu șurubelnița PH 2 (Philips Nr 2) în direcția opusă acelor de ceas.

ELEMENTE SUPLEMENTARE:

- Catarama practică (5) este destinată pentru suspendarea mașinii de găurit-înfiletat pe cureaua utilizatorului atât pentru dreptaci cât și pentru stângaci.
- Mașina de găurit-înfiletat este dotată cu iluminat auxiliar (10) a locului de găurire/infiletare care se pornește după apăsarea butonului de pornire (9).

■ Introducere și scoatere a burghiului din priza autostrângere

ATENȚIE: Decuplați acumulatorul de la mașina de găurit-înfiletat sau setați comutatorul direcției de rotație (4) la poziția din mijloc, pentru a vă proteja de pornirea accidentală a uneltei, care ar putea răni operatorul.

Atunci când comutatorul este eliberat (9) se blochează axul de găurit. Acest lucru permite schimbul rapid, confortabil și ușor al uneltei de lucru în mânerul mașinii de găurit. Pentru a scoate burghiul (sau capul de lucru) din mandrină trebuie să rotiți inelul de pe mandrină în stânga, pentru a mări orificiul în mâner. Pentru a instala burghiul (sau capul de lucru) în mandrină trebuie să rotiți inelul de pe mandrină în dreapta pentru a strânge burghiul în mandrină.

Burghiul (sau un alt fel de capăt) trebuie introdus în prinderea până la rezistența.

■ Găurire

1. Când efectuați orificiile adânce, trebuie să găuriți treptat până la adâncimile mai mici și să dați cu burghiul înapoi pentru a înlesni ieșirea prafului din orificiul.
2. La găurirea unui orificiu de un diametru mai mare este recomandat să începeți cu efectuarea unui orificiu mai îngust, iar în urma să-l măriți până la dimensiunea dorită. Așadar evitați supraîncălzirea bormașinii.
3. Dacă în timpul găurii burghiul se blochează, opriți imediat bormașina pentru a evita deteriorarea ei. Schimbând direcția rotațiilor, scoateți burghiul din orificiul.
4. Țineți mașina de înșurubat în axa orificiul efectuat. Burghiul trebuie să fie fixat sub unghiul drept față de suprafața materialului prelucrat. Dacă nu păstrați unghiul drept în timpul utilizării, puteți provoca blocarea sau ruperea burghiului în orificiul; iar în caz extrem rănirea operatorului.

Reglarea vitezei de rotire a arborelui se face prin apăsarea cu puterea corespunzătoare pe întrerupător.

■ Înșurubarea diblurilor

Prima, se recomandă efectuarea unui orificiu mai îngust, un pic mai lung de lungimea diblului. În cazul în care diblul se află în preajma marginii materialului, pregătirea unui asemenea orificiu îndepărtează riscul de desprindere nedorită a unui fragment de material.

Dacă înșurubând diblul veți întâlni vreo problemă, scoateți-l și măriți puțin orificiul.

Dacă înșurubarea în continuare merge cu greutate (ce să poate întâmpla în cazul speciilor de lemn mai dure), încercați un unguent (ex. săpun lichid). Apăsați corespunzător pe mașina de înșurubat ca să evitați rotirea prinderii împreună cu capătul șurubelniței. Utilizați capetele care se potrivesc exact cu capătul șurubelniței. Deteriorarea prinderii șurubelniței poate provoca imposibilitatea de a înșuruba sau deșuruba.

DEPOZITARE ȘI MENȚENANȚĂ:

Aparatul practic nu necesită o întreținere specială.

Aparatul trebuie depozitat într-un loc care nu se află la îndemâna copiilor, menținut curat, ferit de umiditate și de praf. Condițiile de depozitare trebuie să excludă posibilitatea de deteriorare mecanică sau influența factorilor atmosferici.

ATENȚIE: Mereu înainte să începeți acțiunile legate de curățare și conservare, scoateți acumulatorul din utilajul și ștecherul din priza de alimentare.

Încărcătorul trebuie curățat cu ajutorul unei cârpe uscate. Curățați periodic orificiile de ventilare a mașinii de găurit/înșurubat cu o periuță sau o cârpă uscată. Demontați periodic prinderea burghiului și scoateți din interiorul praful și mizeriile.

Carcasa trebuie curățată cu o pânză curată și umezită cu o cantitate mică de săpun iar apoi trebuie stearsă până ce se usucă. Nu folosiți nicio substanță de curățare și niciun diluant; acestea pot deteriora piesele de plastic ale aparatului. Aveți atenție ca apa să nu intre în interior. După curățarea așteptați până când mașina de găurit/înșurubat se usucă.

TRANSPORT:

Aparatul trebuie transportat și depozitat în cutia de transport, care protejează împotriva umezelii, infiltrării de praf și a obiectelor mici, mai ales trebuie să asigure orificiile de ventilare. Elementele mici, care infiltră în interiorul carcasei, pot distruge motorul.

În cazul în care scoateți acumulatorul din aparat pe durata transportului sau depozitării trebuie să vă asigurați că suprafețele de contact ale acumulatorului nu se vor scurtcircuita. Scoateți piesele metalice precum șuruburi, cuie, cleme, bituri de șurubelniță, pilitură metalică, sârmă din valiză, cutia de unelte sau recipientul pentru transport sau protejați acumulatorul în alt mod astfel încât să preveniți contactul acestor elemente cu acumulatorul.

PRODUCĂTOR:

PROFIX Sp z o.o.,
str. Marywilska 34,
03-228 Warszawa, POLONIA

Prezentul utilaj este făcut conform normelor naționale și europene, precum și indicilor de siguranță.

ATENȚIE! În caz de probleme tehnice vă rugăm să luați legătura cu un service autorizat. Toate reparațiile trebuie efectuate de un personal calificat, folosindu-se piesele de schimb originale.

PICTOGRAME:

Explicațiile imaginilor de pe tabelul nominal și de pe etichetele informative:



«Înainte de cuplare și de a începe operarea trebuie să citiți prezenta instrucțiune.»



«Feriți acumulatorul de căldură, de asemenea de ex. de radiații solare continue.»



«Nu aruncați acumulatorii în foc.»



«Nu aruncați acumulatorii în apă.»



«Numai pentru utilizare în interior.»

PROTECȚIA MEDIULUI:



ATENȚIE: Simbolul prezentat înseamnă interdicția punerii echipamentelor uzate împreună cu celelalte deșeuri menajere (sub risc de amendă). Componente periculoase care fac parte de utilaje electrice și electronice dăunează mediul natural și sănătatea omului.

Fiecare menajer trebuie să participe la recuperarea și reciclarea utilajelor uzate. În Polonia și în Europa se formează sau există deja niște sisteme de colectare a utilajelor uzate, în cadrul căruia toate punctele de vânzare ale utilajelor citate sunt obligate să primească utilajele uzate înapoi. În plus, există și punctele specializate în colectarea asemenea utilajelor.

DEFECȚIUNI TIPICE ȘI ÎNDEPĂRTAREA ACESTORA:

PROBLEMĂ	CAUZĂ POSIBILĂ	SOLUȚIE
Mașina de găurit-înșurubat nu funcționează.	Lipsă alimentare, deteriorare motor sau comutator.	Verificați nivelul de încărcare al bateriei, în cazul în care este necesar încărcați sau schimbați cu una nouă. Dacă unealta electrică nu funcționează în continuare, trebuie să o trimiteți la service pentru reparații la adresa indicată pe fișa de garanție.
Perturbații în funcționarea motorului.	Baterie descărcată.	Încărcați bateria.
	Perii de cărbune uzate.	Schimbați perii de cărbune într-un service.




Politica firmei PROFIX este aceea de perfecționare continuă a produselor sale și de aceea firma își rezervă dreptul de modificare a specificației produsului fără înștiințarea anterioară. Imaginile indicate în instrucțiunile de utilizare sunt doar exemple și se pot diferi puțin de aspectul real al dispozitivului achiziționat.

Prezenta instrucțiune este protejată prin dreptul de autor. Copierea/inmulțirea fără acordul în scris al firmei PROFIX Sp. z.o.o. este interzisă.



PIRMS DARBA SĀKUMA NEPIECIEŠAMS IEPAZĪTIES AR ŠO INSTRUKCIJU.

Saglabā instrukciju vārbutēvai turpmākai lietošanai.

BRĪDINĀJUMS! Nepieciešams izlasīt visus brīdinājumus apzīmētus ar simboliem , kuri attiecas uz lietošanas drošību un visus lietošanas drošības norādījumus.



Neievērojot zemāk uzrādītos drošības brīdinājumus un norādījumus attiecībā uz drošību var būt par elektriskās strāvas triecienu, ugunsgrēku un/vai nopietnu traumu iemeslu.

Ievērot visus brīdinājumus un norādījumus attiecībā uz drošību, lai tos turpmāk varētu izmantot.

Zemāk uzrādītos brīdinājumus „elektroinstruments” nozīmē elektroinstrumentu, kurš tiek barots no elektriskā tīkla (ar barošanas vadu) vai elektroinstruments barots no akumulatora (bezvadu).



BRĪDINĀJUMS! Vispārējie instrumenta drošas lietošanu norādījumi.

Darba vietas drošība:

- Darba vietā nepieciešams uzturēt kārtību un labu apgaismojumu. Nekārtība un sliktas apgaismojums ir negadījumu iemesls.
- Nedrīkst lietot elektroinstrumentu sprāgstošā, viegli uzliesmojošā, gāzu putekļainā vidē. Elektroinstrumenta darbības laikā rodas dzirksteles, no kurām var aizdegties putekļi un tvaiki.
- Vietā, kur tiek lietoti elektroinstrumenti nevar atrasties bērni un novērotāji. Novērsot uzmanību var zaudēt kontroli par elektroinstrumentu.



BRĪDINĀJUMS! Vispārējie instrumenta drošas lietošanu norādījumi.

Elektriskā drošība:

- Elektroinstrumenta kontaktdakšīnām jābūt pielāgotām pie kontaktlīdždām. Nekad nekādā gadījumā nedrīkst mainīt kontaktdakšīņu. Nedrīkst lietot nekādus pagarinātājus gadījumā, ja elektroinstruments ir apgādāts ar vadu ar aizsardzības iezemējuma dzislu. Ja netiek darītas kontaktdakšīņu un kontaktlīdžu izmaiņas, tas samazina elektriskā triecienu risku.
- Nepieciešams izvairīties no iezemētām virsmām vai savienotām ar masu, kā piemēram caurules, sildītāji, centrālāpkaures radiatoru un dzesinātāji. Gadījumā, ja netiek kontakts ar iezemētām vai ar masu savienotām daļām pieaug elektriskās strāvas triecienu risks.
- Nedrīkst pakļaut elektroinstrumentus uz lietus vai mitruma iedarbību. Gadījumā, ja elektroinstrumentā iekļūst ūdens pieaug elektriskās strāvas triecienu risks.
- Nedrīkst pārslogot savienojuma vadus. Nekad nedrīkst lietot savienojuma vadu elektroinstrumenta pārnēsāšanai, vilkšanai vai izvilkt kontaktdakšīņu no kontaktlīdždas aiz vada. Nepieciešams turēt savienojuma vadu tālu no siltuma avotiem, eļļainām, asām šķautnēm vai kustīgām daļām. Būjāti vai sapīti savienojuma vadi palielina elektriskās strāvas triecienu risku.
- Gadījumā, ja elektroinstruments tiek lietots ārpusē, savienojuma vadus nepieciešams pagarināt ar pagarinātājiem, kuri ir piemēroti darbam ārpusē. Lietojot pagarinātājus piemērotus darbam ārpusē samazinās elektriskās strāvas triecienu risks.
- Ieteicams ierīci pievienot pie elektriskā tīkla, kurš ir aprīkots ar

RCD slēdzi ar 30mA vai mazāku izslēgšanas strāvu.

- Gadījumā, ja ir nepieciešamība lietot elektroinstrumentu mitrā vidē, par sprieguma aizsardzību nepieciešams lietot strāvas starpības ierīci (RCD). Lietojot RCD samazinās elektriskās strāvas triecienu risku.



BRĪDINĀJUMS! Vispārējie instrumenta drošas lietošanu norādījumi.

Individuālā drošība:

- Šī ierīce nav piemērota lietot cilvēkiem (tai skaitā bērniem) ar ierobežotām fiziskām, jūtības un psihiskām spējām, vai cilvēkiem bez ierīces darbības pieredzes vai zināšanām, izņemot, ja tas notiek uzraudzībā vai saskaņā ar ierīces lietošanas instrukciju, ar kuru ir iepazinušās par drošību atbildīgas personas.
- Elektroinstrumenta lietošanas laikā nepieciešams būt tālredzīgiem, novērot kas notiek un saglabāt skaidru saprātu. Nedrīkst lietot elektroinstrumentu noguruma laikā vai narkotisku vielu, alkohola vai zāļu iedarbībā. Neuzmanības mirklis strādājot ar elektroinstrumentu var radīt nopietnas ķermeņa traumas.
- Nepieciešams lietot individuālos aizsardzības līdzekļus. Vienmēr nepieciešams lietot aizsargbrilles. Lietojot attiecīgos apstākļos aizsardzības līdzekļus, tādas kā putekļu maskas, neslidošus apavus, ķiveres vai dzirdes aizsardzības līdzekļus, samazināsies individuālais traumas risks.
- Nepieciešams izvairīties no neparedzētām kustībām. Pirms pieslēgšanas pie barošanas avota un/vai pirms akumulatora pieslēgšanas kā arī pirms tam, kad paceļam vai pārceļam ierīci nepieciešams pārliecināties, ka elektroinstrumenta slēdzis atrodas izslēgšanas stāvoklī. Pārnēsāt elektroinstrumentu ar pirkstu uz slēdža vai barošanas tīklā pieslēgtu elektroinstrumentu pie ieslēgta slēdža var būt par negadījuma iemeslu.
- Pirms elektroinstrumenta palaišanas nepieciešams novākt visas atslēgas. Atslēga atstāta rotējošā elektroinstrumenta tuvumā var radīt individuālas traumas.
- Nedrīkst pārlieku tālu izliecties. Visu laiku nepieciešams stāvēt stabili un saglabāt līdzsvaru. Tas dos iespēju neparedzētās situācijās labāk kontrolēt elektroinstrumentu.
- Nepieciešams attiecīgi ģērbties. Nedrīkst nēsāt vaļīgas apģērbus vai rotas lietas. Nepieciešams turēt savus matus, apģērbu un cimdus tālu no kustīgām daļām. Vaļīgs apģērbs, rotas lietas vai gari mati var tikt aizķerti ar kustīgām daļām.
- Ja ierīce ir pielāgota ārējai putekļu sūkšanai un putekļu uzsūkšanai, nepieciešams pārliecināties, ka tie ir pieslēgti un pareizi lietoti. Lietojot putekļu sūcēju var samazināt putekļu ieelpošanas bīstamību.
- Nedrīkst pieļaut, lai iemaņas iegūtas bieži lietojot elektroinstrumentu samazinātu mūsu modrību un drošības noteikumu ignorēšanu. Bezrūpīga rīcība var izraisīt nopietnus ievainojumus sekundes laikā.



BRĪDINĀJUMS! Vispārējie instrumenta drošas lietošanu norādījumi.

Lietošana un gādība par elektroinstrumentu:

- Nedrīkst pārslogot elektroinstrumentu. Nepieciešams piemērot elektroinstrumentu veiktajam darbam. Pareizs

elektroinstruments nodrošinās labāku un drošāku darbu pie slodzes, kādam tas tika projektēts.

- b) **Nedrīkst lietot elektroinstrumentu, ja slēdzis ne neieslēdz un neizslēdz.** *Katrs elektroinstruments, kuru nevar ieslēgt vai izslēgt ar slēdzi ir bīstams un to nepieciešams labot.*
- c) **Nepieciešams atvienot elektroinstrumenta kontaktdakšīņu no barošanas avota un/vai atslēgt akumulatoru pirms tiek veikta jebkāda uzstādīšana, detaļu maiņa vai instrumenta glabāšana.** *Tādas drošības darbības reducē neparedzētu elektroinstrumenta palašānu.*
- d) **Nelietot elektroinstrumentu nepieciešams glabāt bērniem nepieejamās vietās un nedrīkst atļaut personām, kuras nav iepazinušas ar elektroinstrumentu vai šo lietošanas instrukciju lietot elektroinstrumentu.** *Elektroinstrumenti ir bīstami neapmācītu lietotāju rokās.*
- e) **Elektroinstrumentu nepieciešams konservēt.** *Nepieciešams pārbaudīt asu sakritību vai kustīgo daļu iekļīšanās, detaļu plīsumus un visus apstākļus, kuri varētu ietekmēt elektroinstrumenta darbu. Ja tiek konstatēts bojājums, elektroinstrumentu pirms lietošanas nepieciešams salabot. Daudzu negadījumu iemesls ir nepareiza elektroinstrumenta konservācija.*
- f) **Griezējinstrumentiem jābūt asiem un tīriem.** *Attiecīgi uzturēti asi griezējinstrumenta asmeņi samazina iekļīšanās iespējas un atvieglo apkalpošanu.*
- g) **Elektroinstrumentu, aprikojumu, darba instrumentus un tml. nepieciešams lietot saskaņā ar šo instrukciju, ņemot vērā darba apstākļus un veicamo darbu.** *Lietot elektroinstrumentu tam neparedzētā veidā var novest pie bīstamām situācijām.*
- h) **Zemās temperatūrās vai pēc ilgāka nelietošanas laika, ieteicams uz pāris minūtem ieslēgt elektroinstrumentu bez slodzes, lai piedziņas mehānismā sāktu pareizi darboties smērēļļa.**
- i) **Elektroinstrumentu tīrīšanai lietot mīkstu, mitru (ne slapju) drānu un ziepes.** *Nelietot benzīnu, šķīdinātājus un citus līdzekļus, kuri varētu sabojāt ierīci.*
- j) **Elektroinstrumentu nepieciešams glabāt / transportēt iepriekš pārlicinoties, ka visas kustīgās daļas ir nobloķētas un nodrošinātas pret atbloķēšanos ar oriģināliem šim nolūkam paredzētiem elementiem.**
- k) **Elektroinstrumentu nepieciešams glabāt sausā, no putekļiem un mitruma sargātā vietā.**
- l) **Elektroinstrumenta transportēšanu jāveic oriģinālā iepakojumā, kurš pasargā no mehāniskiem bojājumiem.**
- m) **Rokturus un satveršanas virsmas nepieciešams uzturēt tīras, bez eļļas un smēres.** *Neparedzētās situācijās slideni rokturi un satveršanas virsmas nedod iespēju droši turēt un kontrolēt instrumentu.*



BRĪDINĀJUMS! Vispārējie instrumenta drošas lietošanu norādījumi.

Remonts:

- a) **Savu elektroinstrumentu garantijas un pēcgarantijas remontus veic PROFIX serviss, kas garantē visaugstāko remontu kvalitāti kā arī tiek izmantotas oriģinālas rezerves daļas.**



BRĪDINĀJUMS! Akumulatora urbjmašīna-skrūvgrieziņš, drošības brīdinājumi – **Individuālā drošība:**

- a) **Strādājot ar urbjmašīnu-skrūvgrieziņiem lietot dzirdes aizsardzības līdzekļus.** *Trokšņa iedarbība var zaudēt dzirdi.*
- b) **Veicot darbus, kur darba instruments vai skrūve varētu trāpīt uz slēptiem elektriskajiem vadiem vai uz paša barošanas vada, elektroinstrumentu nepieciešams turēt aiz roktura izolētās daļas.** *Kontakts ar barošanas tīkla vadu, kurš ir zem sprieguma var radīt sprieguma pārnešanu uz elektroinstrumenta metāla daļām kā rezultātā var notikt elektriskās strāvas trieciens.*
- c) **Nepieciešams lietot attiecīgas meklēšanas ierīces, lai lokalizētu slēptus barošanas vadus vai lūgt pilsētas dienestu palīdzību.** *Kontakts ar vadiem, kuri ir zem sprieguma var novest līdz ugunsgrēkam vai elektriskā strāvas triecienam. Gāzes vada bojājums var novest līdz sprādzienam. Ūdensvada pārraušana rada materiālus zaudējumus vai notikt elektriskās strāvas trieciens.*
- d) **Neapstrādājiet materiālus, kas satur azbestu.** *Azbestam piemīt kancerogēnas īpašības.*
- e) **Darba vietu nepieciešams uzturēt tīru.** *Materiālu maisījumi ir sevišķi bīstami. Metāla putekļi var viegli aizdegties un uzsprāgt.*
- f) **Apstrādājamo priekšmetu nepieciešams nostiprināt.** *Pārlicināties, ka visi stiprināšanas elementi ir nostiprināti un pārbaudīti, lai nebūtu pārmērīgas pielāides. Apstrādājamo priekšmetu ir drošāk nostiprināt stiprināšanas ierīce vai skrūvspīles nekā turēt to rokā.*
- g) **Elektroinstrumentu darba laikā nepieciešams stipri turēt abās rokās aiz galvenā roktura un paligroktura, ievērot stabilu pozīciju.** *Elektroinstrumentu drošāk vadīt abās rokās.*
- h) **Elektroinstrumentu nepieciešams nekavējoties izslēgt, kad bloķējas lietotais griezējinstrumenti.** *Nepieciešams būt gatavam lielai vibrācijai, kura var radīt atmešanu. Lietotais instruments bloķējas, ja elektroinstruments ir pārslēgots vai saliecas apstrādājamo priekšmetā.*
- i) **Pirms elektroinstrumenta nolikšanas pagaidīt līdz tas apstājas.** *Darba instruments var iebloķēties, kas rada ka tiek zaudēta kontrole par elektroinstrumentu.*
- j) **Elektroinstrumentu nepieciešams lietot tikai ar akumulatoru bateriju speciāli piemērotu tā barošanai.** *Citu akumulatoru bateriju lietošana var radīt traumu vai ugunsgrēka risku.*

Drošības instrukcijas izmantojot garus urbju:

- a) **Nekad nestrādājiet ar lielāku ātrumu nekā maksimālo urbja griešanās ātrumu.** *Vienmēr sākt urbt ar mazu ātrumu un pēc tam, kad urbis ir saskarties ar sagatavi. Lielākā ātrumā urbis var saliekties, ja tas brīvi griežas nesaskaroties ar apstrādājamo priekšmetu, radot ķermeņa traumas.*
- b) **Urbsāns laikā piespiediet urbi pie apstrādājamā priekšmeta vienā līnijā ar urbi, nespiediet urbi pārāk stipri.** *Urbi var saliekties, izraisot bojājumus vai zaudējot kontroli, kas var izraisīt ķermeņa traumas.*



BRĪDINĀJUMS! Droša akumulatoru un akumulatoru lādētāju lietošana:

Akumulatoru lietošana:

- a) **Nepieciešams lietot akumulatorus tikai saskaņā ar ražotāja specifikāciju.** *Citu akumulatoru lietošanas gadījumā var rasties akumulatora plīsums un sabrukums, ķermeņa trauma vai ugunsgrēks.*
- b) **UZMANĪBU:** Akumulatora bojājuma vai nepareizas lietošanas rezultātā var notikt sprāgstošu gāzu izdalīšanās. Akumulatoru nepieciešams vienmēr turēt tālu no uguns kā arī lādēšanas laikā nodrošināt atbilstošu ventilāciju. *Nedrīkst to atstāt uz ilgu laiku vidē, kur ir augsta temperatūra (saulainās vietās,*

sildelementu tuvumā vai tur, kur temperatūra pārsniedz 40 grādu).

- c) Akumulatora lādēšanu nepieciešams veikt 15-25°C temperatūras diapazonā.
- d) Lādēt akumulatoru nepieciešams tikai ar ražotāja ieteikto transformatoru. Lietojot transformatoru piemēroti cita tipa akumulatoru baterijai rada ugunsgrēka rašanās risku.
- e) Sargāt akumulatoru no ūdens un mitruma.
- f) Ja gribam lādēt sekojoši vairākus akumulatorus, starp atsevišķiem lādējumiem nepieciešams izdarīt 30 minūšu pārtraukumu.
- g) Nekādā gadījumā nedrīkst akumulatoru atvērt.
- h) Nelabvēlīgos apstākļos no akumulatora var izdalīties šķidrums; nepieciešams izvairīties no kontakta ar šķidrumu. Ja lietotājs negaidīti saskarsies ar šķidrumu, kontakta vietu nepieciešams skalot ar ūdeni. Ja šķidrums nokļūst acīs, papildus nepieciešams meklēt medicīnisko palīdzību. No akumulatora izplūstošais šķidrums var radīt kairinājumu vai applaucesānos.
- i) Laikā, kad akumulatoru baterija netiek lietota, nepieciešams to glabāt tālu no metāla priekšmetiem, tādēļ kā papīra spraudņiem, monētām, atslēgām, naglām, skrūvēm vai citiem maziem metāla elementiem, kuri varētu radīt akumulatora īssavienojumu. Akumulatoru īssavienojums var radīt applaucesānos vai ugunsgrēku.
- j) Nemest akumulatoru uguni.
- k) Nedrīkst lādēt bojātu akumulatoru.



Akumulatori paredzēti daudzkārtējai lādēšanai, satur apkārtējai videi kaitīgo litiju.

Pēc lietošanas termiņa beigām tos nepieciešams utilizēt saskaņā ar apkārtējās vides aizsardzības noteikumiem.

Šajā nolūkā pilnīgi izlietot akumulatoru, izņemt no elektroinstrumenta, nodot akumulatoru utilizācijas punktā vai veikalā, kurā tas nopirkts.

Lādētāja lietošana:

- a) Lādēt akumulatoru nepieciešams tikai ar ražotāja ieteikto transformatoru. Lietojot transformatoru piemēroti cita tipa akumulatoru baterijai rada ugunsgrēka rašanās risku.
- b) Pievienoto lādētāju drīkst lietot tikai akumulatoru lādēšanai, kuri ir ar to piegādāti. Lādējot citus akumulatorus var notikt akumulatoru plīsums vai sašķelšanās un ķermeņa ievainojums vai trauma vai arī ugunsgrēks.
- c) Lādētāja nedrīkst izjaukt.
- d) Lādētājs paredzēts darbam tikai telpu iekšpusē. To nedrīkst pakļaut ūdens un mitruma iedarbībai.
- e) Lādēt tikai 15-25 grādu diapazonā.
- f) Lādētāja nedrīkst likt nekādus metāla priekšmetus.

URBJMAŠĪNAS-SKRŪVJGRIEZĒJA PIELIETOJUMS UN UZBŪVE:

Akumulatoru urbjmašīna-skrūvjgriezējs ir paredzēts skrūvju ieskrūvēšanai un izskrūvēšanai, caurumu urbšanai tādos materiālos kā tērauds, koks, plastmasa un tml. Urbjmašīna-skrūvjgriezējs paredzēta vienīgi amatieru darbos. **Nedrīkst lietot ierīci veicot darbus, kur nepieciešams lietot profesionālas ierīces.**

Aizliegts lietot ierīci neatbilstoši augstāk uzrādītam pielietojumam, pretējā gadījumā tiek zaudēta garantija kā arī ražotājs neatbild par šādā veidā radītiem zaudējumiem.

Jebkādas ierīces modifikācijas, kuras veic lietotājs atbrīvo ražotāju no

atbildības par bojājumiem un zaudējumiem, kuri nodarīti lietotājam un apkārtējiem.

Neskatoties uz pielietojumam paredzēto lietošanu nevar pilnībā izslēgt atsevišķus riska elementus. Ņemot vērā mašīnas konstrukciju un uzbūvi var rasties sekojošas bīstamības:

- Operatora rokas vai apģērba vada pieskaršanās pie rotējoša urbja darba laikā.
- Applaucesānas mainot urbi. (Darba laikā urbis ļoti stipri sakarst, lai novērstu applaucesānos to mainot nepieciešams lietot aizsargcimdus).
- Apstrādājamā priekšmeta vai tā daļu atmešana.
- Urbja saliekšanās/salaušana.

■ Komplektācija

- Akumulatoru urbjmašīna-skrūvjgriezējs - 1gab.
- Lādētājs TJ3LD - 1gab.
- Akumulators TJ15AK - 1gab.
- Lietošanas instrukcija - 1gab.
- Garantijas karte - 1 gab.

■ Sastāvdaļas (skatīt lappusi 2):

- Zim.A**
1. Bezatslēgas urbjmašīnas patrona
 2. Sajūga regulēšana
 3. Ātruma pārslēdzējs
 4. Apgrīzietu virziena slēdzis
 5. Skava iekāršanai pie jostas
 6. Rokas piekares siksnīņa
 7. Akumulators
 8. Akumulatora stiprināšanas fiksators
 9. Slēdzis
 10. Palīg apgaismojums

- Zim.C**
11. Lādētājs
 12. Adapteris
 13. Baterijas uzlādēšanas līmeņa rādītāja taustiņš
 14. Baterijas uzlādēšanas līmeņa rādītājs

- Zim.F**
15. Sajūga uzstādīšanas rādītājs
 16. Urbsšanas stāvokļa piktogramma

- Zim.G**
17. Kreisais vitnes stiprināšanas skrūve

TEHNISKIE DATI:

Barošanas spriegums	20 V d.c.	
Ātruma pārslēdzējs I-II	jā	
Griešanas ātrums bez slodzes (I/II ātrums)	$n_n=0-350 / 0-1300/\text{min}$	
Maksimālais griešanās moments	25 Nm	
Urbjpatronas aptverespēja	$\varnothing 0,8-10 \text{ mm}$	
Maksimālais urbsšanas diametrs	Koks	25 mm
	Tērauds	13 mm
Svars (ar akumulatoru)	1,4 kg	
Akustiskā spiediena līmenis (LpA)	89,9 dB(A)	
Akustiskās jaudas līmenis (LwA)	99,9 dB(A)	
Mērījumu izkliede K_{10A}, K_{10W}	3 dB(A)	
Vibrācijas līmenis atbilst. normai EN 60745, urbsana a_{wv} (mērījumu izkliede $K=1,5 \text{ m/s}^2$)	1,746 m/s^2	
Akumulatora veids	Li-ion	
Akumulatora lādēšanas spriegums	20 V	

Akumulatora tilpums	1500mA
Lādētāja barošanas spriegums	110-240V, 50-60Hz
Lādēšanas laiks	3-5 st.

Uzrādītais vibrācijas līmenis ir reprezentatīvs elektroinstrumenta pamata lietošanai. Ja elektroinstrumenti tiek lietoti citos nolūkos vai ar citiem darba instrumentiem, vai arī ja nebūs pietiekami konservēti, vibrācijas līmenis var atšķirties no uzrādītā. Augstāk uzrādītie iemesli var radīt vibrācijas ekspozīcijas palielināšanos visā darba laikā.

Nepieciešams realizēt papildus drošības līdzekļus, kuri pasargās operatoru no vibrācijas ekspozīcijas, piem.: Elektroinstrumenta un darba instrumenta konservācija, atbilstošas roku temperatūras nodrošināšana, darba operāciju veikšanas secības noteikšana.

Deklarētās kopējās vibrācijas vērtības un deklarētās trokšņa emisijas vērtības ir mērītas saskaņā ar standarta testa metodi, un tās var izmantot, lai savā starpā salīdzinātu instrumentus.

Sākotnējam iedarbības novērtējumam var izmantot deklarētās kopējās vibrācijas vērtības un deklarētās trokšņa emisijas vērtības.

Brīdinājumi:

Vibrācijas un trokšņa emisija elektroinstrumenta faktiskā lietošanas laikā var atšķirties no deklarētajām vērtībām atkarībā no tā, kā tiek izmantots instruments un kāds materiāls tiek apstrādāts.

Operatora aizsardzībai nepieciešams notiek drošības līdzekļus, kuri pamatojas uz iedarbības novērtējumu faktiskajā lietošanas laikā (ņemot vērā visas operatīvā cikla darbības daļas, kā piemēram laiku, kurā instruments ir izslēgts un kad strādā tukšgaitā, izņemot sprūda laiku).

SAGATAVOŠANA DARBAM:

Pirms katras lietošanas nepieciešams kontrolēt, vai pareizi funkcionē un nav bloķētas vai atslēgtas un bojātas ierīces kustīgās daļas, kas varētu iespaidot pareizu ierīces funkcionēšanu. Bojātu ierīci pirms lietošanas nepieciešams nodot labošanai.

■ Akumulatoru lādēšana

Skrūvgrīzies tiek piegādāts ar daļēji uzlādētu akumulatoru. Lādēšanas līmeni var pārbaudīt nospiežot baterijas lādēšanas līmeņa taustiņu (13). Viena degošā LED diode atbilst zemam baterijas uzlādēšanas līmenim, divas degošās diodes nozīmē vidēju līmeni, bet trīs degošās diodes atbilst pilnam akumulatora uzlādēšanas līmenim. Pirms lietošanas akumulatoru nepieciešams pilnībā uzlādēt. Izmantojot lādētāju TJ3LD pirmo lādēšanu ieteicams veikt minimums 3 stundas.

1. Nospiežot akumulatora bloķēšanas pogu (8) un no urbjmašīnas-skrūvgrīzī izņemt akumulatoru (7) (skat. zīm. B).
2. Pievienot akumulatoru (7) lādētājā (11) (skat. zīm. C).
3. Lādētājam (11) pievienot adaptera kontaktdakšīņu (12).
4. Pievienot adapteri 110-240V, 50-60Hz tīkla līdžā.

■ Baterijas lādēšanas signalizācija

Zaļā degošā LED diode informē, ka lādētājs ir pieslēgts pie barošanas avota. Pēc akumulatora pievienošanas iedegsies **sarkanā** diode, kura informē, ka notiek lādēšana. To arī signalizē akumulatora mirgojošās zaļās LED diodes, uzrādot baterijas uzlādēšanas līmeni.

Kad baterija būs pilnībā uzlādēta sarkanā diode nodzisis un iedegsies zaļā diode.

Pēc lādēšanas beigām atvienot lādētāju no tīkla un izņemt akumulatoru.

UZMANĪBU! Lādēšanas laikā akumulators var nedaudz sasilt, tā ir normāla parādība.

Litija-jonu akumulatoru var lādēt jebkurā brīdī, tādā veidā netiek saīsināta

tā ilgmūžība. Lādēšanas procesa pārtraukšana nerada akumulatora elementu bojājuma risku.

DARBA LAIKĀ:

■ Ieslēgšana/izslēgšana

Slēdzim (9) ir bezpakāpiju apgriezienu ātruma regulēšana.

Lai ieslēgtu elektroinstrumentu nepieciešams nospiest slēdzi. Apgriezienu ātrums palielināsies jo dziļāk iespiež slēdzi. Lai izslēgtu elektroinstrumentu nepieciešams slēdzi atbrīvot.

■ Apgriezienu virziena maiņa (skat. zīm. E)

Skrūvgrīzēm ir darba iespēja ar apgriezieniem pulksteņa rādītāja kustības virzienā (labie apgriezieni) vai pretēji pulksteņa rādītāja kustības virzienam (kreisie apgriezieni):

- lai uzstādītu labos apgriezienus, nepieciešams pārbīdīt kreiso / labo (4) apgriezienu maiņas slēdzi pa kreisi (skatoties no skrūvgrīzēja aizmugures),

- lai uzstādītu kreisos apgriezienus, nepieciešams pārbīdīt kreiso / labo (4) apgriezienu maiņas slēdzi pa labi (skatoties no skrūvgrīzēja aizmugures).

Kad apgriezienu maiņas slēdzis atrodas vidus stāvoklī - slēdzis (9) ir bloķēts. Urbšanai un skrūvju ieskrūvēšanai nepieciešams uzstādīt labos apgriezienus. Urbja izvadīšanai, iekļēta urbja izņemšanai un skrūvju izskrūvēšanai nepieciešams uzstādīt kreisos apgriezienus.

■ Griezes momenta izvēle (zīm. F)

Urbjmašīna aprīkota ar gredzenu (2), kurš kalpo griezes momenta uzstādīšanai ieskrūvējot skrūves. Uz gredzenu ir apzīmētas 22 pozīcijas, no 1 līdz 21 kā arī urbšanas pozīcija.

Uzstādot gredzenu izvēlētā stāvoklī (no 1 līdz 21) notiek pastāvīga sajūga uzstādīšana uz noteiktu griezes momenta vērtību. Tas dod iespēju nodrošināties pret skrūves pārāk dziļu ieskrūvēšanu vai skrūves sabojāšanu. Dažādām skrūvēm un dažādiem materiāliem lieto dažādu ieskrūvēšanas momentus.

Vienmēr nepieciešams sākt ar mazu momenta vērtību un to pakāpeniski palielināt, līdz sasniedzam vēlamu rezultātu.

Lai urbtu metālā, kokā un plastmasā nepieciešams uzstādīt gredzenu (2) tā, lai atzīme (15) sakristu ar simbolu (16).

■ Ātrumu pārslēgšana (zīm. A)

Ar ātruma pārslēdzēju (3) var izvēlēties 2 apgriezienu ātruma diapazonus.

Iātrums: Lieto skrūvju ieskrūvēšanai vai izskrūvēšanai.

II ātrums: Lieto urbšanai.

UZMANĪBU: Nemainīt ātruma maiņas pārslēdzēju (3) instrumenta darba laikā, tas var sabojāt pārnēsumu. Pirms ātruma pārslēgšanas instrumentam vienmēr nepieciešams dod iespēju pilnībā apstāties.

Ja ātruma pārslēdzēju nevar novietot gala stāvoklī, nepieciešams nedaudz pakustināt piedziņas vārpstu.

■ Patronas maiņa (zīm. G)

1. Atvienot akumulatoru (7) no skrūvgrīzēja.

2. Patronu maksimāli atvērt (1).

3. Ar skrūvgrīzi PH 2 (Phillips Nr 2) pulksteņa rādītāja kustības virzienā atskrūvēt patronas stiprināšanas skrūvi (**UZMANĪBU! Kreisā vītne**). Iekļēto skrūvi var atbrīvot viegli uzsitot pa tās galvu.

4. Atskrūvēt urbjmašīnas-skrūvgrīzēja raktuī pretēji pulksteņa rādītāja kustības virzienam (skatoties no raktuī puses).

UZMANĪBU: Iekļētu bez atslēgas urbjmašīnas patronu (1) var atbrīvot nostiprinot isoāko gala atslēgas galu patronā un viegli iesitot pa atslēgas garāko daļu (skat. zīm. D).

5. Lai uzstādītu patronu to nepieciešams uzskrūvēt uz vārpstu pulksteņa rādītāja kustības virzienā (skatoties no patronas puses) un nofiksēt ar

stiprināšanas skrūvi, pieskrūvējot to ar skrūvgriezi PH 2 (Philips Nr 2) pretēji pulksteņa rādītāja kustības virzienam.

PAPILDUSELEMENTI:

- Praktiska skava (5) paredzēta priekš skrūvgrieža-urbjmašīnas piekāšanas pielietotāja jostas labās kā arī kreisās rokas pusē.
- Urbjmašīna-skrūvgriezis ir aprīkota ar urbšanas/skrūvēšanas vietas palīg apgaismojumu (10), kurš ieslēdzas nospiežot slēdzi (9).

■ Urbja ielikšana un izņemšana no ātrās nomainās urbšanas patronas

UZMANĪBU: Atvienot akumulatoru no skrūvgrieža vai apgriezīgu virzienu maiņas slēdzi (4) novietot vidus stāvoklī, lai nodrošinātos pret negaidītu mašīnas ieslēgšanos, kas varētu ievainot operatoru.

Pie atbrikota slēdža (9) notiek urbjmašīnas vārpstas bloķēšanās. Tas dod iespēju urbjmašīnas patronā ātri, ērti un viegli apmainīt darba instrumentu. Lai no patronas izņemtu urbi (vai dāba uzgali) nepieciešams pagriezt patronas gredzenu pa kreisi, lai palielinātu patronas caurumu. Lai patronā uzstādītu urbi (vai darba instrumentu) nepieciešams pagriezt patronas gredzenu pa labi, lai panāktu urbja saspišanu patronā. Urbi (vai cita tipa darba uzgali) nepieciešams ielikt patronā līdz atdurei.

■ Caurumu urbšana

1. Veicot dziļus urbumus nepieciešams urbt pakāpeniski, mazā dziļumā izvadīt urbi, lai skaidām būtu iespēja izklūt no cauruma.
2. Lielā diametra caurumu urbšanu ieteicams sākt ar mazāka diametra urbi, pēc tam to urbt uz nepieciešamo izmēru. Tas novērsīs iespējamo urbjmašīnas pārslodzi.
3. Ja urbšanas laikā notiek urbja iekļīšanās, nekavējoties nepieciešams izslēgt urbjmašīnu, lai nepieļaut tās sabojāšanos. Lietojot apgriezīgu maiņu nepieciešams izvadīt urbi no cauruma.
4. Urbjmašīnu nepieciešams turēt urbtā cauruma asī. Urbum jāatrodas taisnā leņķī attiecībā pret apstrādājamo materiālu. Gadījumā, ja darba laikā nav saglabāts taisnais leņķis caurumā var notikt urbja iekļīšanās vai salaušana, un gala rezultātā ievainots operators. Vārpstas apgriezīgu ātruma regulāciju veic ar attiecīgu spiedienu spēku uz slēdzi.

■ Skrūvju ieskrūvēšana

Vispirms ieteicams veikt pilotējošo urbumu, nedaudz dziļāku par skrūves garumu un nedaudz mazāku par tās ārējās vītnes diametru. Gadījumā, ja skrūve atrodas materiāla malas tuvumā, pilotējošā cauruma izveidošana novērsīs iespēju materiālam atlauzties. Ja skrūves ieskrūvēšana ir apgrūtināta, tad nepieciešams skrūvi izskrūvēt un palielināt pilotējošo caurumu.

Ja ieskrūvēšana notiek ar grūtībām (kas var būt cieta koka gadījumā) nepieciešams pamēģināt lietot smērējošo līdzekli (piem. šķidrās ziepes). Nepieciešams pielikt attiecīgu spiedienu uz skrūvgriežēji, lai nepieļautu skrūvgrieža uzgaļa pagriešanos attiecībā pret skrūves galviņu. Lietot uzgaļu precīzi pielāgotus skrūves galvai. Sabojāta skrūves galviņas ligzda var apgrūtināt skrūves ieskrūvēšanu vai izskrūvēšanu.

GLABĀŠANA UN KONSERVĀCIJA:

Instrumenta principā nav nepieciešama speciāla konservācija. Mašīnu nepieciešams glabāt bērnēm nepieejamās vietās, uzturēt tīrā stāvoklī, sargāt no mitruma un putekļiem. Glabāšanas apstākļiem jāizslēdz mehānisko bojājumu iespēju kā arī kaitīgo atmosfēras apstākļu iedarbību.

UZMANĪBU: Vienmēr pirms tīrīšanas un konservācijas sākuma nepieciešams atslēgt akumulatoru no skrūvgriežēja un izvilkt lādētājs

kontaktdakšīnu no barošanas ligzdas.

Lādētāju nepieciešams tīrīt lietojot tikai sausu drānu.

Skrūvgriežēja ventilācijas atveres nepieciešams periodiski tīrīt ar sausu birstīti un drānu. Periodiski nepieciešams noņemt patronu un izbērt no tā putekļus un citus netīrumus.

Skrūvgriežēja korpusu periodiski tīrīt ar mitru drānu un ziepēm, lai noņemtu putekļus un citus netīrumus. Nelietot nekādus tīrīšanas līdzekļus vai šķīdinātājus, tie var sabojāt no plastmasas izgatavotas ierīces daļas. Nepieciešams uzmanīties, lai ierīces iekšpusē neieklūtu ūdens. Pēc tīrīšanas pagaidīt līdz skrūvgriežējs pilnīgi izžūst.

TRANSPORTS:

Urbjmašīna-skrūvgriežējs transportēt un glabāt transportēšanas koferī, kurš sargā pret mitrumu, putekļiem un smalkiem elementiem, īpaši nepieciešams nodrošināt ventilācijas atveres. Smalkie elementi, kuri iekļūst korpusa iekšienē var sabojāt dzinēju.

Izņemot akumulatoru no ierīces, transportēšanas vai uzglabāšanas laikā nepieciešams pārliecināties, ka nenotiks akumulatora kontaktu īssavienojums. No instrumentu kofera, kastes vai transportēšanas vārtnes nepieciešams likvidēt metāla daļas, kā piem. skrūves, naglas, sprādze, izkaisītus bitus, stieples vai metāla skaidas, vai citā veidā aizsargāt šo elementu saskaršanos ar akumulatoru.

RAŽOTĀJS:

Profix SIA, Maryvilska iela 34, 03-228 Varšava, Polija

Šī ierīce ir saskaņā ar valsts un Eiropas normām, ka arī drošības prasībām.

UZMANĪBU! Tehnisku problēmu gadījumā lūdzam kontaktēties ar pilnvaroto servisa punktu. Visāda veida remontus veic kvalificēt personāls, lietojot oriģinālas rezerves daļas.

PIKTOGRAMMAS:

Apzīmējumu skaidrojums, kuri atrodas uz plāksnītes un informācijas uzlīmēm.



«Pirms ieslēgšanas un darba sākuma nepieciešams iepazīties ar šo instrukciju.»



«Sargājiet akumulatoru no karstuma, piemēram, no ilgstošas atrašanās saules staros vai uguns tuvumā.»



«Izmantotos akumulārus nedrīkst mest ugunī.»



«Izmantotos akumulārus nedrīkst mest ūdenī.»



«Ierīce ir paredzēta tikai lietošanai telpās.»

APKĀRTĒJĀS VIDES AIZSARDZĪBA:



UZMANĪBU: Uzrādītais simbols nozīmē, ka aizliegts novietot nolietoto ierīci kopā ar citiem atkritumiem (iespējams naudas sods). Bīstamās sastāvdaļas, kuras atrodas elektriskās ierīcēs negatīvi ietekmē uz apkārtējo vidi un cilvēku veselību.

Mājsaimniecībām jāņem dalība nolietoto ierīču atgūšanā un atkārtotā izlietošanā (reciklīgā). Polijā un Eiropā tiek radīta vai jau pastāv nolietoto ierīču savākšanas sistēma, kura ietvaros visiem augstāk minēto ierīču pārdošanas punktiem ir pienākums pieņemt nolietotās ierīces. Bez tam pastāv augstāk minēto ierīču savākšanas punkti.

POTENCIĀLĀS PROBLĒMAS UN TO ATRISINĀŠANAS VEIDI:

PROBLĒMA	IESPĒJAMĀIS IEMESLS	RISINĀJUMS
Skrūvgriezis-urbjmašīna nedarbojas.	Nav barošanas, bojāts dzinējs vai slēdzis.	Pārbaudīt baterijas stāvokli, nepieciešamības gadījumā uzlādēt vai apmainīt pret jaunu. Ja elektroferraments joprojām nedarbojas, nepieciešams to nosūtīt remonta servisā uz garantijas kartē uzrādīto adresi.
Dzinēja darbības traucējumi.	Izlādēta baterija.	Īncārcaṭi baterija.
	Nolietotas oglišu sukas.	Schimbaṭi perille de cārbune ģntr-un service.



Firmas PROFIX politika ir nepārtraukta savu produktu pilnveidošanas politika, tāpēc firma sev rezervē tiesības ievest izstrādājuma specifiskācijas izmaiņas bez iepriekšējas paziņošanas. Zīmējumi, kuri uzrādīti apkalpošanas instrukcijā kalpo tikai kā piemērs un var nedaudz atšķirties no iegādātās ierīces reālā izskata.

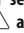
Ši instrukcija ir sargāta ar autortiesībām. Aizliegts to kopēt/pavairot bez PROFIX SIA rakstiskas atļaujas.



PŘED ZAHÁJENÍM POUŽÍVÁNÍ SE SEZNAMTE S TÍMTO NÁVODEM.

Uchovávejte návod pro případné další použití.



POZOR! Přečtěte si všechny výstrahy týkající se bezpečnosti používání označené symbolem  a veškeré pokyny týkající se bezpečnosti používání.

Nedodržování uvedených bezpečnostních výstrah a bezpečnostních pokynů může být příčinou zásahu elektrickým proudem, požáru a/nebo závažných úrazů.

Uchovávejte výstrahy a pokyny týkající se bezpečnosti pro případné použití v budoucnosti.

V níže uváděných výstrahách pojem „elektronářadí“ znamená elektronářadí napájené z elektrické sítě (elektrickým vodičem) nebo elektronářadí napájené baterií (bezdrátové).



VÝSTRAHA! Všeobecné výstrahy týkající se bezpečného používání nářadí.

Bezpečnost na pracovišti:

- Udržujte na pracovišti pořádek a zajistěte zde dobré osvětlení. Nepořádek a špatné osvětlení často zapříčiňují nehody.
- Nepoužívejte elektronářadí ve výbušném prostředí tvořeném hořlavými tekutinami, plyny nebo prachem. Elektronářadí vytváří jiskry, které by mohly zapálit prach nebo výparů.
- Nepouštějte děti ani jiné pozorovatele na místa, kde se používá elektronářadí. Rušení pozornosti může způsobit ztrátu kontroly nad elektronářadím.



VÝSTRAHA! Všeobecné výstrahy týkající se bezpečného používání nářadí.

Elektrická bezpečnost:

- Zástrčky nářadí musí odpovídat zásuvkám. Nikdy žádným způsobem nepředělávejte zástrčky. V případě elektronářadí, které má vodič s ochranným uzemněním, nepoužívejte žádné prodlužovačky. Původní nepředělávané zástrčky a zásuvky snižují riziko zásahu elektrickým proudem.
- Vyvarujte se dotýkání uzemněných ploch nebo takových, které jsou spojené s hmotou, jako jsou trubky, ohřívače, radiátory ústředního topení a chladničky. V případě dotýkání takových ploch a předmětů roste riziko zásahu elektrickým proudem.
- Nevystavujte elektronářadí na působení deště nebo vlhka. Pokud by se do elektronářadí dostala voda, roste riziko zásahu elektrickým proudem.
- Kabely se nesmí žádným způsobem namáhat. Nikdy nepoužívejte kabel k nošení, tažení elektronářadí nebo k vytahování zástrčky ze zásuvky. Kabel musí být umístěn daleko od zdrojů tepla, oleje, ostrých hran nebo pohyblivých částí. Poškozené nebo propletené kabely zvyšují riziko zásahu elektrickým proudem.
- V případě, že se elektronářadí používá venku, je třeba prodlužovat elektrické kabely prodlužovací určenými na práci venku. Používání prodlužovače určeného do venkovního prostředí snižuje riziko zásahu elektrickým proudem.
- Doporučuje se připojení zařízení k elektrické síti vybavené proudovým chráničím (RCD) s vypínacím proudem 30mA nebo menším.

- Pokud je nezbytné použití elektronářadí ve vlhkém prostředí, je třeba použít jako ochranu proudový chránič (RCD). Použití RCD snižuje riziko zásahu elektrickým proudem.



VÝSTRAHA! Všeobecné výstrahy týkající se bezpečného používání nářadí.

Osobní bezpečnost:

- Toto zařízení nesmí používat osoby (včetně dětí) s omezenou fyzickou, smyslovou nebo psychickou schopností, nebo osoby, které nemají odpovídající zkušenosti nebo znalosti zařízení, leda že je používají s příslušným dozorem, nebo v souladu s návodem na používání zařízení, který jim předají osoby zodpovědné za jejich bezpečnost.
- Při používání elektronářadí je třeba být předvídatý, pozorovat, co se děje, a používat zdravý rozum. Nepoužívejte elektronářadí, pokud jste unaveni nebo pod vlivem drog, alkoholu nebo léků. Chvilje nepozornosti při práci s elektronářadím může způsobit závažné osobní úrazy.
- Je třeba používat osobní ochranné prostředky. Je třeba vždy používat ochranné brýle. Používání v příslušných podmínkách takových ochranných prostředků, jako je protiprachová respirační maska, protiskluzová obuv, přilba nebo chrániče sluchu, snižuje nebezpečí osobních úrazů.
- Je třeba se vyhnout neplánovanému spuštění. Před připojením k elektrickému zdroji a/nebo před zapojením baterie a než se nářadí zvedne, nebo přeneše, je třeba se ujistit, že je vypínač elektronářadí v poloze vypnuto. Přenášení elektronářadí s prstem na vypínači nebo připojení elektronářadí do sítě se zapojeným vypínačem může být příčinou nehody.
- Před spuštěním elektronářadí je třeba odstranit všechny klíče. Ponechání klíče v otáčející se části elektronářadí může způsobit poranění.
- Je zakázáno přilížit se nakláňet. Po celou dobu musíte stát pevně a udržovat rovnováhu. Umožní Vám to dobře kontrolovat elektronářadí při nepředvídatelných situacích.
- Je třeba mít vhodné oblečení. Při práci nenoste volné oblečení ani bižuterii. Je třeba zajistit, aby Vaše vlasy, oblečení a rukavice byly v bezpečné vzdálenosti od pohyblivých částí. Volné oblečení, bižuterie nebo dlouhé vlasy se mohou zachytit do pohyblivých částí.
- Pokud je zařízení přizpůsobeno na napojení k vnějšímu odsávání prachu a pohlcovači prachu, ujistěte se, že jsou připojeny a řádně se používají. Použitím pohlcovačů prachu můžete omezit nebezpečí závislé na prašnosti.
- Neodvolte, aby vaše znalosti získané častým používáním elektronářadí způsobily, že se budete cítit sebejistě a začnete ignorovat bezpečnostní pravidla. Neopatrnost při činnosti může způsobit v zlomku sekundy závažný úraz.



VÝSTRAHA! Všeobecné výstrahy týkající se bezpečného používání nářadí.

Používání elektronářadí a péče o ně:

- Elektronářadí se nesmí přetěžovat. Je třeba používat elektronářadí s výkonem vhodným pro provádění určité práce. Správné elektronářadí umožní lepší a bezpečnější práci se zátěží, na kterou bylo naprojektováno.

- b) **Elektronářadí, u kterého nefunguje spínač, se nesmí používat.** Každé elektronářadí, které nelze zapínat nebo vypínat spínačem, je nebezpečné a je třeba je opravit.
- c) **Před provedením každého seřízení, výměny součástky nebo před skladováním odpojte zástrčku elektronářadí od zdroje elektrického proudu a/nebo odpojte baterii.** Takový bezpečnostní postup omezuje riziko náhodného spuštění elektronářadí.
- d) **Nepoužívané elektronářadí uchovávejte mimo dosah dětí a nedovolte přístup osobám, které nejsou obeznámené s elektronářadím nebo s tímto návodem na používání elektronářadí.** Elektronářadí může být nebezpečné v rukách nevyškolených uživatelů.
- e) **Elektronářadí je třeba udržovat.** Je třeba kontrolovat souost nebo zaseknutí pohyblivých částí, praskliny součástí a veškeré další faktory, které by mohly ovlivnit činnost elektronářadí. Pokud zjistíte poškození, musíte elektronářadí před použitím opravit. Příčinou mnohých nehod je neodborná údržba elektronářadí.
- f) **Řezací nástroje musí být ostré a čisté.** Řádná údržba ostrých hran řezacích nástrojů snižuje pravděpodobnost zaseknutí a usnadňuje obsluhu.
- g) **Elektronářadí, vybavení, pracovní nástroje apod. používejte v souladu s tímto návodem, při čemž zohledňujete pracovní podmínky a druh prováděné práce.** Používání jiným způsobem, pro který není elektronářadí určeno, může způsobit nebezpečné situace.
- h) **V nízkých teplotách, nebo pokud se nářadí po delší dobu nepoužívá, doporučuje se zapnout elektronářadí bez zátěže po dobu několika minut za účelem řádného promazání mechanismu pohonu.**
- i) **K čištění elektronářadí používejte měkký, vlhký (ne mokry) hadřík a mýdlo.** Nepoužívejte benzín, rozpouštědla a další prostředky, které by mohly poškodit zařízení.
- j) **Elektronářadí je třeba skladovat / dopravovat až potom, co se ujistíte, že jsou veškeré jeho pohyblivé součásti zablokované a zajištěné proti odblokování s použitím původních součástek určených k tomuto účelu.**
- k) **Elektronářadí skladujte na suchém místě chráněném proti prachu a průniku vlhkosti.**
- l) **Doprava elektronářadí by měla probíhat v původním obalu tak, aby bylo chráněné proti mechanickému použití.**
- m) **Držáky a plochy uchopení udržujte čisté, nezmaštěné olejem a mazivem.** Kluzké držáky a plochy uchopení neumožňují bezpečné držení nářadí a jeho plnou kontrolu v nečekaných situacích.



VÝSTRAHA! Všeobecné výstrahy týkající se používání nářadí.

Oprava:

- a) **Záruční a pozáruční opravy svého elektronářadí provádí Servis PROFIX, což zaručuje nejvyšší kvalitu oprav a používání původní náhradních dílů.**



UPOZORNĚNÍ! Vrtací aku šroubovák, výstrahy týkající se bezpečnosti –

Osobní bezpečnost:

- a) **Používejte ochranu sluchu během práce s vrtacím aku šroubovákem.** Vystavování se hluku může způsobit ztrátu sluchu.
- b) **Během provádění prací, při kterých by mohl pracovní nástroj nebo šroub narazit na skryté elektrické vodiče, je třeba elektronářadí držet za izolované povrchy držáků.** Kontakt s elektrickým vedením může způsobit převedení napětí na kovové části

nářadí, což může zapříčinit zásah elektrickým proudem.

- c) **Používejte vyhledávače skrytého elektrického vedení nebo si vyžádejte pomoc správce budovy.** Kontakt s elektrickým vedením pod napětím může způsobit vznik požáru a zásah elektrickým proudem. Průnik do vodovodních trubek zapříčiní vznik materiálních škod.
- d) **Nepracujte s materiálem obsahujícím azbest.** Azbest způsobuje onkologická onemocnění.
- e) **Pracovní místo je třeba udržovat čisté.** Směsi materiálů jsou obzvlášť nebezpečné. Prach z lehkého kovu se může vznítit nebo vybuchnout.
- f) **Zabezpečte obráběný předmět.** Ujistěte se, že všechny upevňovací svorky jsou stisknuté a zajištěné, aby nebyly příliš volné. Upevňovací předmětu v úchytu nebo ve svěráku je bezpečnější, než držet jej v ruce.
- g) **Při práci držte stroj vždy pevně oběma rukama a zajištěte si bezpečný postoj.** Oběma rukama je elektronářadí vedeno bezpečněji.
- h) **Je třeba okamžitě vypnout elektronářadí, pokud by se používané elektronářadí vzpříčilo.** Je třeba se připravit na vysoké vibrace, které způsobují zpětný ráz. Používané nářadí se vzpříčí, pokud je přetížené nebo je v obráběném předmětu nakřivo.
- i) **Před odložením elektronářadí je třeba počkat, až se přestane otáčet.** Pracovní nástroj by se mohl zablokovat a zapříčinit ztrátu kontroly nad elektronářadím.
- j) **Elektronářadí je třeba používat výhradně s akumulátory určenými k jeho napájení.** Použití jiných akumulátorů může vzniknout nebezpečí poranění nebo požáru.

Bezpečnostní pokyny pro používání dlouhých vrtáků:

- a) **Nikdy nepracujte s větší rychlostí, než je maximální rychlost otáček vrtáku.** Vrtání začíněte vždy s malou rychlostí a až po doteku vrtákem obráběného předmětu. Při vyšších rychlostech se může vrták, pokud se otáčí volně bez kontaktu s obráběným předmětem, ohýbat a způsobit úraz.
- b) **Během vrtání přitlačte vrták k obráběnému předmětu v jedné linii s vrtákem, při tom se nemá tláčit na vrták příliš silně.** Vrtáky se mohou ohýbat a tím způsobit poškození nebo ztrátu kontroly, což může vést k úrazu.



VÝSTRAHA! Bezpečné používání akumulátorů a nabíječek –

Používání akumulátorů:

- a) **Je třeba používat výhradně akumulátory shodné se specifikací uvedenou výrobcem.** V případě použití jiných akumulátorů může dojít k prasknutí a rozpadu akumulátoru, úrazu nebo požáru.
- b) **POZOR: V případě poškození a nesprávného používání akumulátoru může dojít k uvolňování výbušných plynů.** Akumulátor je třeba vždy udržovat v bezpečné vzdálenosti od zdroje ohně a zajistit vhodné větrání během nabíjení. *Nesmíte jej nechat po delší dobu v prostředí, ve kterém je vysoká teplota (na prosluněných místech, poblíž radiátorů nebo kdekoliv, kde je teplota vyšší než 40 stupňů).*
- c) **Nabíjení akumulátoru by mělo probíhat v rozsahu teplot 15-25 °C.**
- d) **Nabíjet je třeba výhradně nabíječkou doporučenou výrobcem.** Použití nabíječky určené k nabíjení akumulátorů jiného druhu vytváří riziko vzniku požáru.
- e) **Nevytavujte akumulátor na působení vody a vlhkosti.**
- f) **Pokud chcete nabíjet postupně více než jeden akumulátor, udělejte 30 minutovou přestávku mezi nabíjením.**
- g) **V žádném případě akumulátor neotevírejte.**

h) V nevhodných podmínkách může z akumulátoru unikat kapalina; zabraňte kontaktu s kapalinou. Pokud dojde náhodně ke styku uživatele s tekutinou, místo kontaktu je třeba umýt vodou. Pokud se kapalina dostane do očí, je třeba navíc hledat lékařskou pomoc. Tekutina, která se dostává z akumulátoru, může způsobit podráždění nebo popálení.

i) V době, kdy se akumulátor nepoužívá, je třeba jej uchovávat v bezpečné vzdálenosti od takových kovových předmětů, jako jsou sponky na papír, mince, klíče, hřebíky, šrouby, nebo jiné malé kovové předměty, které by mohly způsobit zkrat akumulátoru. Zkrat akumulátoru může způsobit úraz nebo požár.

j) Nevyhazujte akumulátor do ohně.

k) Je zakázáno používat poškozený akumulátor.



Akumulátory jsou určeny k opakovanému nabíjení, obsahují zdraví škodlivé Li-ion.

Po ukončení doby životnosti je třeba je likvidovat v souladu s předpisy o ochraně životního prostředí.

Za tímto účelem zcela vybijte akumulátor, vytáhněte jej z elektronářadí, předejte do místa likvidace akumulátorů nebo odevzdejte do prodejny, ve které jste provedli nákup.

Používání nabíječky:

a) Nabíjejte výhradně nabíječkou doporučenou výrobcem. Použití nabíječky určené k nabíjení akumulátorů jiného typu vytváří riziko vzniku požáru.

b) Je zakázáno nabíječku rozesroubovat.

c) Nabíječka je určena výhradně na práci uvnitř místnosti. Je zakázáno ji vystavovat na působení vody a vlhka.

d) Nabíjejte pouze v rozsahu teplot 15-25 stupňů.

e) Je zakázáno vkládat jakékoliv kovové předměty do nabíječky.

URČENÍ A KONSTRUKCE ŠROUBOVÁKU:

Vrtací aku šroubovák je určený ke šroubování a odšroubování vrutů, vrtání otvorů do takových materiálů, jako je ocel, dřevo, umělá hmota, apod.

Vrtací aku šroubovák je určený výhradně k hobby použití. Je zakázáno využívat toto nářadí na provádění prací vyžadujících profesionální nářadí.

Každé použití zařízení jinak, než to vyplývá z jeho výše uvedeného určení, je zakázáno, způsobuje ztrátu záruky a osvobozuje výrobce od odpovědnosti za takto způsobené škody.

Jakékoliv úpravy zařízení prováděné uživatelem osvobozuje výrobce od odpovědnosti za poškození a škody způsobené uživateli a v okolí.

Správné používání elektronářadí se týká také údržby, skladování, dopravy a oprav.

Elektronářadí mohou opravovat pouze servisní opravny určené výrobcem. Zařízení, které je napájeno ze sítě, by měly opravovat pouze osoby, které jsou k tomuto oprávněny.

I při používání nářadí v souladu s jeho určením nelze zcela eliminovat určité rizikové faktory. Vzhledem ke konstrukci a stavbě stroje se mohou vyskytnout následující ohrožení:

- dotek rotujícího vrtáku během práce rukou nebo oblečení obsluhy;
- spálení při výměně vrtáku. (Během práce se vrták silně zahřívá, abyste se při jeho výměně chránili před popálením, používejte ochranné rukavice);
- odhození obráběné věci nebo její části;
- zkrivení/zlomení vrtáku.

■ Kompletace

- Vrtací aku šroubovák -1ks.
- Nabíječka TJ3LD -1ks.
- Akumulátor TJ15AK -1ks.
- Návod na obsluhu -1ks.
- Záruční list -1ks.

■ Součásti zařízení (viz str. 2):

- Obr.A**
1. Rychloupínací skličidlo
 2. Knoflík regulování spojky
 3. Přepínač rychlostí
 4. Přepínač směru otáček
 5. Spona pro zavěšení na opasku
 6. Pásek na zavěšení na ruce
 7. Akumulátor
 8. Západka blokády akumulátoru
 9. Vypínač
 10. Pomocné osvětlení

Obr.C

11. Nabíječka
12. Adaptér
13. Tlačítko ukazatele úrovně nabití baterií
14. Ukazatel úrovně nabití akumulátoru

Obr.F

15. Ukazatel nastavení spojky

16. Piktogram polohy vrtání

Obr.G

17. Upevňující šroub levotočivý

TECHNICKÉ ÚDAJE:

Napětí přívodu napájení	20 V d.c.	
Přepínač rychlostí I-II	ano	
Rychlost otáček bez zátěže (I/II rychlost)	$n_1=0-350 / 0-1300/\text{min}$	
Max. krouticí moment	25 Nm	
Rozsah upnutí vrtacího skličidla	$\varnothing 0,8-10 \text{ mm}$	
Maximální průměr vrtání	dřevo	25 mm
	ocel	13 mm
Hmotnost (s akumulátorem)	1,4 kg	
Hladina akustického tlaku (LpA)	89,9 dB(A)	
Hladina akustického výkonu (LwA)	99,9 dB(A)	
Tolerance měření $K_{\text{LpA}}, K_{\text{LwA}}$	3 dB(A)	
Úroveň vibrací podle normy EN 60745, vrtání $a_{h,0}$ (tolerance měření $K=1,5 \text{ m/s}^2$)	1,746 m/s^2	
Typ akumulátoru	Li-ion	
Napětí nabíjení akumulátoru	20 V	
Kapacita akumulátoru	1500mA	
Napětí nabíjení nabíječky	110-240V, 50-60Hz	
Doba nabíjení	3-5 h	

Uvedená úroveň vibrací platí pro základní použití elektronářadí. Pokud by bylo elektronářadí použito jinak nebo s jinými pracovními nástroji, a také pokud nebude prováděna dostatečná údržba, úroveň vibrací se může lišit od uvedené. Výše uvedené důvody mohou způsobit zvýšení vystavení vibracím během celé doby práce.

Je třeba uplatnit další bezpečnostní prostředky, jejichž účelem je ochrana obsluhy proti důsledkům vystavení vibracím, např.: údržbu elektronářadí a pracovních nástrojů, zajištění vhodné teploty rukou, určení pořadí pracovních úkonů.

Deklarovaná celková hodnota vibrací a deklarované hodnoty emisí hluku byly naměřeny standardními způsoby zkoušení a lze je používat pro účely srovnávání s jiným nářadím.

Deklarovaná celková hodnota vibrací a deklarované hodnoty emisí hluku lze využívat při předběžném vyhodnocení vystavení.

Výstrahy:

Vibrace a emise hluku během skutečného používání elektronářadí se mohou lišit od deklarovaných hodnot v závislosti na způsobu, jakým je nářadí používáno, a především v závislosti na druhu obráběného předmětu.

Je třeba určit bezpečnostní prostředky na ochranu obsluhy, a to na základě odhadu skutečného vystavení během používání (při zohlednění všech částí operačního cyklu, jako je doba, po kterou je nářadí zapnuto, a doba, kdy je na volnoběhu, s výjimkou doby spouštění).

PŘED ZAČÁTKEM PRÁCE:

Před každým použitím je třeba zkontrolovat, zda pohyblivé části zařízení správně fungují a nejsou blokovány, prasknuty nebo poškozeny, což by mohlo ovlivnit správné fungování zařízení. Poškozené zařízení je třeba před použitím nechat opravit.

■ Nabíjení akumulátoru:

Vrtací aku šroubovák se dodává s částečně nabitým akumulátorem. Stav nabití lze zkontrolovat stlačením tlačítka ukazatele úrovně nabití baterie (13). Jedna rozsvícená LED dioda znamená nízkou úroveň nabití baterie, dvě svítící diody znamenají střední úroveň, a tři svítící diody odpovídají úplnému nabití akumulátoru. Před použitím je třeba akumulátor zcela nabít. Pro první nabíjení s použitím nabíječky TJ3LD se doporučuje nabíjení po dobu minimálně 3 hodin.

1. Stlačit tlačítko zajištění akumulátoru (8) a vytáhnout akumulátor (7) z vrtáčky (obr. B).
2. Zapojit akumulátor (7) do nabíječky (11) (viz obr. C).
3. Zapojit zástrčku adaptéru (12) do nabíječky (11).
4. Zapojit adapter do elektrické zásuvky 110-240 V, 50-60 Hz.

■ Kontrolka nabíjení akumulátoru:

Zelené světlo LED diody na nabíječe informuje o tom, že je nabíječka připojena ke zdroji napájení. Po zapojení akumulátoru se rozsvítí červená dioda, která informuje, že probíhá nabíjení. Rovnoběžné totéž oznamují bližší zelené LED diody LED akumulátoru, které ukazují momentální úroveň nabití akumulátoru.

Když bude baterie zcela nabitá, červená dioda zhasne a rozsvítí se zelená.

Po ukončení nabíjení, odpojte nabíječku ze sítě a vyjměte akumulátor.

POZOR! Během nabíjení se může akumulátor mírně zahřát, to je běžný jev.

Akumulátor Li-ion lze bez zkrácení životnosti kdykoli nabít. Přerušení procesu nabíjení nepoškozuje akumulátor.

BĚHEM PRÁCE:

■ Vypínání/zapínání

Nainstalovaný vypínač (9) má plynulou regulaci otáčecí rychlosti.

Pro zapnutí elektronářadí stlačte vypínač. Rychlost otáček se bude zvyšovat tím více, čím více stlačíte tlačítko. Pro zastavení elektronářadí je třeba pustit vypínač.

■ Volba směru otáček (obr. E):

Šroubovák má možnost pracovat s otáčkami šroubování v souladu s pohyby hodinových ručiček (pravé otáčky) nebo v protisměru pohybu hodinových ručiček (levé otáčky):

- pro nastavení pravých otáček je třeba posunout přepínač levých / pravých otáček (4) doleva (z pohledu zezadu šroubováku);
- pro nastavení levých otáček je třeba posunout přepínač levých / pravých otáček (4) doprava (z pohledu zezadu šroubováku).

Když je přepínač směru otáček ve střední poloze, vypínač (9) je zablokovaný.

K vrtání a šroubování vrutů nastavte pravé otáčky. Při vyťahování vrtáčky, vyťahování vzpříčeného vrtáku a vyšroubování vrutů je třeba nastavit levé otáčky.

■ Volba kroutícího momentu (obr. F):

Vrtací aku šroubovák je vybavený kroužkem (2), který slouží k nastavení kroutícího momentu při šroubování vrutů. Na kroužku je označených 22 polohy, od 1 do 21, a poloha vrtání.

Nastavení ve zvolené poloze (od 1 do 21) způsobuje trvalé nastavení spojky na určitou velikost kroutícího momentu. Umožňuje to chránit se před zašroubováním vrutu příliš hluboko nebo poškozením vrutu. Pro různé vruty a různé materiály se používají různé velikosti kroutícího momentu.

Je třeba začít s malým momentem a postupně jej zvětšovat, až po dosažení uspokojivého výsledku.

Pro vrtání v kovu, dřevu a umělé hmotě je třeba nastavit kroužek (2) tak, aby se značka (15) překryla se symbolem (16).

■ Přepínání rychlosti (obr. A):

S použitím přepínače rychlosti (3) je možné zvolit 2 rozsahy rychlosti otáček.

Rychlost I: Používá se ke šroubování nebo vyšroubování vrutů.

Rychlost II: Používá se k vrtání.

POZOR: Neměňte polohu přepínání rychlosti (3) během práce nářadí, může to poškodit jeho převody. Vždy je třeba počkat, aby se nářadí zcela zastavilo a až pak přepnout přepínač otáček.

Pokud se přepínač rychlosti nadá posunout až nadoraz, je třeba mírně posunout vřetenem pohonu.

■ Výměna skličidla (obr. G):

1. Odpojit akumulátor (7) od vrtáčky.
2. Maximálně otevřete skličidlo (1).
3. Odšroubujte vrtákem PH 2 (Philips č. 2) ve směru pohybu hodinových ručiček šroub upevňující držák (**POZOR! Levý závit**). Zaseknutý šroub povolte mírným poklepnutím jeho hlavičky.
4. Odšroubujte držák aku vrtáčky v protisměru pohybu hodinových ručiček (z pohledu ze strany držáku).

POZOR: Vzpříčený rychloupínací držák vrtáčky (1) lze uvolnit tak, že upevníme kratší stranu v držáku imbusového klíče a lehce klepneme do dlouhého ramene klíče (viz obr. D).

5. Pro nasazení skličidla je třeba jej našroubovat na vřetenou v souladu s pohyby hodinových ručiček a zajistit upevňující šroub dotažením šroubovákem PH 2 (Philips č. 2) v protisměru pohybu hodinových ručiček.

DALŠÍ PŘÍSLUŠENSTVÍ:

- Praktická spona (5) je určená k zavěšení akušroubováku s vrtáčkou na opasku uživatele, jak pro praváky, tak pro leváky.
- Vrtací šroubovák je vybavený pomocným osvětlením (10) místa vrtání /šroubování, které se zapíná stlačením vypínače (9).

■ Vkládání a vyjímání vrtáku ze sklíčidla

POZOR: Odpoj akumulátor od vrtačky nebo umístí přepínač směru otáček (4) do střední polohy pro zajištění proti náhodnému zapnutí stroje, které by mohlo způsobit zranění obsluhu.

Pokud je zapínač (9) uvolněný, vrtací vřeten je zajištěné. Umožňuje to rychlé, pohodlné a snadné vyměňování pracovního nástroje ve sklíčidle. Pro vytažení vrtáku (nebo pracovní koncovky) z držáku je třeba otáčet kroužkem sklíčidla doleva, za účelem zvětšení otvoru ve sklíčidle. Pro namontování vrtáku (nebo pracovní koncovky) do sklíčidla je třeba otáčet kroužkem doprava, aby sklíčidlo vložený vrták uchopilo a stisklo.

Vrták (nebo jinou pracovní koncovku) je třeba vkládat do sklíčidla až nadoraz.

■ Vrtání otvorů

1. Při provádění hlubokých otvorů je třeba vrtat postupně, do menší hloubky, vracet vrták zpět z otvoru pro umožnění odstranění pilin z otvoru.
2. Při vrtání otvoru s velkým průměrem se doporučuje začít vyvrtáním menšího otvoru a později jej rozvrtat na požadovaný rozměr. Zabrání to nebezpečí přetížení.
3. Pokud dojde ke vzpříčení vrtáku během vrtání, je třeba okamžitě vypnout vrták, abyste nepřípustili jeho poškození. Využijte změnu otáček a vytáhněte vrták z otvoru.
4. Je třeba držet vrtací šroubovák v ose prováděného otvoru. Vrták by měl být nastavený pravouhle vůči povrchu obráběného materiálu. Pokud byste nedodrželi pravý úhel při práci, může dojít ke vzpříčení nebo ke zlomení vrtáku v otvoru a v krajním případě i ke zranění uživatele.

Seřízení rychlosti otáček vřeten probíhá podle síly použité na přitlačení vypínače.

■ Šroubování vrutů

Doporučuje se vyvrtání nejdříve pilotního otvoru, něco hlubšího než je délka vrutu a s o něco menším průměrem, než je vnější průměr závitů vrutu. V případě, že se vrut najde poblíž hrany materiálu, brání provedení pilotního otvoru nežádoucím odprýsknutím materiálu.

Pokud při šroubování nastanou potíže se zahlabováním vrutu, je třeba jej vyšroubovat a trochu zvětšit pilotní otvor.

Pokud i nadále budou při šroubování problémy (což by se mohlo stát v případě tvrdých druhů dřeva) je třeba použít mazivo (např. tekuté mýdlo). Při vrtání musíte na vrtačku vyvíjet tlak tak, aby nedošlo k otáčení koncovky vrtáku mimo drážky v hlavě vrutu. Používejte koncovky, které přesně sedí na hlavu vrutu. Poškození drážky by mohlo znemožnit zašroubování vrutu.

SKLADOVÁNÍ A ÚDRŽBA:

Elektronářadí v podstatě nevyžaduje zvláštní údržbářské zásady. Vrtací šroubovák je třeba uchovávat na dětem nedostupném místě, udržovat čistý, chránit proti vlhku a prachu. Podmínky skladování by měly vyloučit možnost mechanických poškození a vliv škodlivých atmosférických podmínek.

POZOR: Vždy před zahájením čistících a údržbářských činností je třeba odpojit akumulátor od šroubováku a vytáhnout zástrčku nabíječky ze zásuvky.

Nabíječku je třeba čistit pouze s použitím suchého hadříku.

Nezbytné je pravidelně čistění větracích otvorů suchým kartáčkem nebo hadříkem. Pravidelně také odmontujte sklíčidlo a vysypte zevnitř prach a

jiné nečistoty.

Kryt pravidelně čistíte vlhkým hadříkem s malým množstvím mýdla, abyste odstranili prach a jiné nečistoty. Nepoužívejte žádné čistící prostředky ani rozpouštědla; mohly by poškodit části zařízení vyrobené z umělé hmoty. Dávejte pozor, aby se dovnitř zařízení nedostala voda. Po vyčištění počkejte, až vrtačka zcela uschne.

DOPRAVA:

Elektronářadí dopravujte a skladujte v transportním kufříku, který chrání před vlhkem, prachem a drobnými objekty, zvláště je třeba zabezpečit ventilační otvory. Drobné části, které proniknou dovnitř krytu, mohou poškodit motor.

Když vytahujete akumulátor ze zařízení na dobu dopravy nebo skladování, přesvědčte se, že nedojde ke zkratu kontaktů akumulátoru. Z kufříku, skříňky na nářadí nebo transportního kontejneru je třeba odstranit kovové části, jako jsou např. vruty, hřebíky, skoby rozházené bity, dráty nebo kovové třísky nebo jiným způsobem zabránit styku těchto prvků s akumulátorem.

VÝROBCE:

PROFIX s.r.o.;

ul. Marywilka 34, 03-228 Varšava, Polsko

Toto zařízení vyhovuje vnitrostátním i evropským normám a bezpečnostním požadavkům.

POZOR! V případě technických problémů kontaktujte, prosíme, oprávněný servis. Veškeré opravy musí provádět kvalifikovaní odborníci, s použitím původních náhradních dílů.

PIKTOGRAMY:

Vysvětlení ikon umístěných na firemním štítku a na informačních nálepkách na zařízení:



«Před spuštěním zařízení si přečtěte návod na obsluhu!»



«Chraňte akumulátor proti působení vysokých teplot, např. před trvalým ozářením sluncem.»



«Nevyhazujte akumulátory do ohně.»



«Nevyhazujte akumulátory do vody.»



«K použití výhradně v interiérech.»

OCHRANA ŽIVOTNÍHO PROSTŘEDÍ:



POZOR: Zobrazený symbol znamená zákaz likvidace zařízení dohromady s jinými odpady (na porušení zákazu se vztahuje pokuta). Nebezpečné složky, které se nacházejí v elektrickém a elektrotechnickém vybavení mají negativní vliv na životní prostředí a lidské zdraví.

Domácnosti by se měly zapojit do získávání zpět a opětovného využívání (recyklace) starých elektrospotřebičů. V Polsku a v Evropě se tvoří nebo už existuje systém sběru elektroodpadu, v rámci kterého mají všechna prodejní místa elektrospotřebičů povinnost přijímat elektroodpad. Kromě toho existují sběrná místa pro elektroodpad.

MOŽNÉ PROBLÉMY A JEJICH ŘEŠENÍ:

PROBLÉM	MOŽNÁ PŘÍČINA	ŘEŠENÍ PROBLÉMU
Vrtací šroubovák nefunguje.	Chybí napájení, je poškozen motor nebo vypínač.	Zkontrolujte stav akumulátoru, v případě potřeby jej nabijte nebo vyměňte na nový. Pokud elektronika nefunguje, třeba je odeslat do servisní opravy na adresu uvedenou v záručním listu.
Poruchy při práci motoru.	Vybitý akumulátor.	Nabijte akumulátor.
	Opotřebované uhlíkové kartáče.	Vyměňte uhlíkové kartáče v servisní opravě.



Politika firmy PROFIX je politikou průběžného zdokonalování výrobků, z toho důvodu si firma vyhrazuje právo změnit specifikaci výrobku bez předchozího informování. Obrázky, uvedené v návodu na obsluhu, jsou pouze příklady a mohou se lišit od skutečného vzhledu zakoupeného zařízení.

Tento návod je chráněn autorským zákonem. Jeho kopírování / rozmnožování bez písemného souhlasu společnosti PROFIX s.r.o. je zakázané.

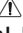
Az eredeti utasítások fordítása



HASZNÁLAT ELŐTT OLVASSA EL EZEKET AZ UTASÍTÁSOKAT!

Tartsa meg ezt az útmutatót későbbi tájékozódás céljából!



FIGYELEM! Olvassa el a  szimbólummal jelzett, a munkavédelemmel kapcsolatos összes figyelmeztetést és a biztonságos használatra vonatkozó összes utasítást!

A következő biztonsági előírások be nem tartása miatt baleset, áramütés, tűzveszély és/vagy komoly sérülés fordulhat elő

Őrizze meg az összes munkavédelmi figyelmeztetést és utasítást későbbi felhasználás céljából!

Az alábbi figyelmeztetések során használt „elektromos szerszám” kifejezés olyan szerszámot jelöl, melynek áramellátása hálózatról (tápkábel) vagy akkumulátorral (kábel nélkül) történik.



FIGYELEM! Általános munkavédelmi szabályok:
Munkahelyi biztonság:

- Tartsa tisztán a munkaterületét és ügyeljen a jó megvilágításra!** A munkaterületén uralkodó rendtelenség balesetekhez vezethet.
- Ne dolgozzon elektromos szerszámmal robbanásveszélyes környezetben, gyulladásveszélyes folyadékok, gázok vagy folyadékok közelében.** Az elektromos szerszámok használata során szikra keletkezhet, mely belobbanhatja a port és a gőzöket.
- Tartsa távol a gyermekeket attól a helytől, ahol használja az elektromos szerszámot.** A figyelemelterelés miatt elveszítheti kontrollját az elektromos szerszám felett.



FIGYELEM! A szerszám biztonságos használatával kapcsolatos általános szabályok:

Elektromos biztonság:

- Az elektromos szerszám csatlakozó dugója meg kell feleljen az aljzattal. Tilos a csatlakozó dugó módosítása! Tilos hosszabbítók használata a védőföldeléses kábelrel ellátott elektromos szerszámok esetében!** A csatlakozó dugók és aljzatok módosítása növeli az áramütés kockázatát!
- Kerülje a testi érintkezést a földelt felületekkel vagy tárgyakkal, mint a csövek, fűtőtestek, fűtőradiátorok vagy hűtőszekrények!** A földelt részekkel való érintkezés esetén nő az áramütés kockázata!
- Ne tegye ki esőnek vagy nedves környezetnek az elektromos szerszámot!** Víz behatolása esetén nő az áramütés kockázata!
- Ne erőltesse a csatlakozó kábel! Ne használja a hálózati kábelt a szerszám mozgatására, húzására vagy a csatlakozó dugó aljzattól történő kihúzására.** Tartsa távol a hálózati kábelt hőforrásoktól, olajtól, éles szélektől és mozgó alkatrészekről! A sérült vagy összegabalyodott kábelek növelik az áramütés kockázatát!
- Amennyiben az elektromos szerszámot a szabadban használja, a csatlakozást a szabadban történő használatra alkalmas kültéri hosszabbítókkal kell megoldani. A szabadban történő használatra alkalmas hosszabbítók használata csökkenti az áramütés kockázatát.**
- A berendezést 30mA vagy kisebb kioldó áramú védőkapcsolós (RCD) elektromos hálózatra javasolt kapcsolni csatlakoztatni.**

- Amennyiben az elektromos szerszámot nedves környezetben használja, elkerülhetetlen egy feszültségvédelmi eszköz használata, mint egy hibaáram védelmi kapcsolóé (RCD). Az RCD használata csökkenti az áramütés kockázatát.**



FIGYELEM! A szerszám használatának biztonságával kapcsolatos általános figyelmeztetések:

Személyi biztonság:

- Ez a berendezés nem használható csökkentett fizikai, szenzoriális vagy mentális képességű személyek (beleértve a gyermekeket is), tapasztalattal nem rendelkező személyek vagy olyan személyek által, akik nem ismerik a berendezést, kivételt képeznek azok a helyzetek, amikor a berendezés használata felügyelet alatt vagy a használati utasítások betartásával történik egy, a biztonságért felelős személy által.**
- Legyen figyelmes, összpontosítson arra, amit csinál és legyen mindig annak tudatában, hogy elektromos szerszámmal dolgozik! Ne használja az elektromos szerszámot, ha fáradt, ha kábítószert, alkoholt vagy gyógyszer befolyása alatt áll!** Elektromos szerszám használatánál egy pillanattal figyelmetlenség is komoly sérülések okozója lehet!
- Hordjon védőruházatot! Minden esetben viseljen védőszemüveget!** Olyan védőruházat hordása mint a porvédő maszk, csúszásbiztos cipő, fülvédő vagy hallásvédő csökkenti a sérülések kockázatát!
- Kerülje el, hogy az elektromos szerszám véletlenül bekapcsoljon! A hálózati áramforrásra történő csatlakozás és/vagy az akkumulátor csatlakoztatása, valamint a szerszám felemelése vagy mozgatása előtt, győződjön meg arról, hogy az elektromos szerszám kapcsolója kikapcsolt állapotban van!** Az elektromos szerszám mozgatása vagy bekapcsolt állapotban történő használata balesetet okozhat!
- Az elektromos szerszám beindítása előtt távolítson el minden szerszámot a közelből!** Az elektromos szerszám mozgó részein hagyott szerszámok sérüléseket okozhatnak!
- Ne hajtjon le mélyen! Álljon biztosan és tartsa meg az egyensúlyát!** Ez az elektromos szerszám jobb ellenőrzését teszi lehetővé váratlan helyzetekben.
- Ötözzön fel megfelelően! Ne hordjon bő ruházatot vagy ékszert! Haját kösse be, ruházatát és kesztyűjét tartsa távol a mozgó alkatrészekről!** A bő ruházat, az ékszer és a hosszú haj beleakadhat a mozgó alkatrészekbe.
- Amennyiben a berendezés alkalmas külső porszívó és porgyűjtő csatlakoztatására, győződjön meg arról, hogy ezek helyesen lettek csatlakoztatva és használva. A porgyűjtő használata csökkentheti a porral járó veszélyek kockázatát.**
- Ne engedje, hogy az elektromos szerszám gyakori használatára során szerzett jártasság hatására túlzott magabiztossá váljon és figyelmen kívül hagyja a biztonsági szabályokat. A figyelmen kívül hagyás egy pillanat alatt súlyos testi sérülést okozhat.**



FIGYELEM! A szerszám biztonságos használatára vonatkozó általános figyelmeztetések:

Az elektromos szerszám használata és gondozása:

- Ne terhelje túl az elektromos szerszámot! Az elvégzendő**

munkához szükséges teljesítmény függvényében használjon elektromos szerszámokat! A megfelelő elektromos szerszám jobb működést és biztosabb terhelést tesz lehetővé.

- b) **Tilos az elektromos szerszám használata, ha a kapcsoló nem indítja el és nem állítja meg a szerszámot!** Minden elektromos szerszám, amely nem indul el vagy nem áll meg, veszélyes és meg kell javítani!
- c) **Minden beállítás, alkatrészcsere vagy tárolás előtt húzza ki a csatlakozó dugót az elektromos szerszám hálózati áramforrásából és/vagy vegye ki az akkumulátort!** Ezek a biztonsági intézkedések csökkentik az elektromos áram véletlenszerű bekapcsolását.
- d) **A használaton kívüli elektromos szerszámot gyermekektől távol kell tárolni, és nem szabad kölcsön adni olyan személyeknek, akik nem ismerik az elektromos szerszámot vagy nem olvasták el annak használati utasításait!** Az elektromos szerszám veszélyes, ha tapasztalat nélküli személy használja!
- e) **Az elektromos szerszámot karban kell tartani!** Ellenőrizni kell a mozgásban lévő alkatrészek vonalbeállítását vagy zavarát, az alkatrészek törését és egyéb tényezőket, melyek befolyásolhatják az elektromos szerszám működését! **Ha rongálódást észlelünk, az elektromos szerszámot még használat előtt meg kell javítani!** Számos baleset oka az elektromos szerszám nem megfelelő karbantartása.
- f) **A vágószerszámok élesek és tiszták kell legyenek!** A vágószerszámok éles alkatrészeinek karbantartása csökkenti az anyagba történő beakadás kockázatát és megkönnyíti a használatot.
- g) **Az elektromos szerszámot, a berendezést, a munkaszerszámokat, stb. jelen utasításoknak megfelelően kell használni, figyelembe véve a munka jellegét és feltételeit.** Az elektromos szerszám rendeltetésétől eltérő használata veszélyes helyzeteket okozhat.
- h) **Alacsony hőmérsékleten vagy hosszabb használaton kívüli időszakot követően ajánlott az elektromos szerszám teher nélküli elindítása néhány percre a kenőanyag átviteli mechanizmusba történő helyes elosztása érdekében.**
- i) **Az elektromos szerszám tisztításához puha, nedves (nem vizes) rongyot és szappant használjon! Ne használjon benzint, oldószert vagy egyéb anyagokat, amelyek károsíthatják a berendezést!**
- j) **Az elektromos szerszámot csak azután lehet tárolni/szállítani, miután megbizonyosodtunk arról, hogy minden mozgó eleme rögzítésre és biztosításra került a rögzítésre szánt eredeti elemek segítségével.**
- k) **Az elektromos szerszámot száraz helyen kell tartani, védve a portól és a nedvességtől.**
- l) **Az elektromos szerszám szállítása az eredeti csomagolásban történhet, megvédve ezáltal a mechanikai sérülésektől.**
- m) **A markolatot és a fogófelületeket tisztán, olaj- és kenőanyagtól mentesen kell tartani.** A csúszós markolatok és fogófelületek lehetetlenné teszik a szerszám biztonságos fogását és felügyeletét az esetleges váratlan szituációkban.



FIGYELEM! A szerszám biztonságos használatára vonatkozó általános figyelmeztetések:

Javítás:

- a) **Az elektromos szerszámok garanciális és garancia utáni javítását**

a PROFIX Szerviz végzi, ami garantálja a javítás kiváló minőségét és az eredeti alkatrészek használatát.



FIGYELEM! Akkumulátoros fűrész-csavarozó, biztonságra vonatkozó figyelmeztetések-

Személyi biztonság:

- a) **Az akkumulátoros fűrész-csavarozó használata során fülvédőt kell használni.** A zajnak kitett expozíció maradandó halláskárosodást okozhat.
- b) **Olyan munkavégzés során, ahol a szerszám vagy a csavar rejtett elektromos vezetékekre akadhat, az elektromos szerszámot a markolat szigetelt felületénél kell fogni.** A tápvezetékekkel való érintkezés során az elektromos szerszám összes fém elemei feszültség alá kerülhetnek, ami áramütést okozhat.
- c) **Megfelelő detektor műszert kell használni a rejtett tápvezetékek lokalizálásához, vagy kikérni a létesítmény adminisztrációjának a segítségét.** A feszültség alatt lévő vezetékek megérintése tűz és áramütéshez vezethet. A gázvezetékek sérülése robbanásához vezethet. A vízvezetékek sérülése anyagi károkat eredményez.
- d) **Tilos azbesztet tartalmazó anyagot megmunkálni.** Az azbeszt daganatos betegséget okoz.
- e) **A munkavégzés helyét tisztán kell tartani.** Az anyagból keletkezett keverékek különösen veszélyesek. A könnyűfémről keletkezett por meggyulladhat vagy felrobbanhat.
- f) **Be kell biztosítani a megmunkált tárgyat.** Győződjön meg róla, hogy minden befogó be van nyomva és ellenőrizze, hogy nincs túl nagy hézag. A megmunkált tárgy rögzítése a rögzítőberendezésben vagy a satuban biztonságosabb, mint annak kézben tartása.
- g) **Erősen kézben kell tartani az elektromos szerszámot és ügyelni a stabil pozícióra.** A csavarok meghúzása és meglazítása során rövid idejű magas reakciónyomatékok léphetnek fel.
- h) **Azonnal ki kell kapcsolni az elektromos szerszámot, ha elakad a szerszám. Fel kell készülni az erős vibráció kialakulására, ami visszaverődést okoz.** A szerszám elakad, ha: túl van helve az elektromos szerszám, vagy ha elferdül a megmunkált anyagban.
- i) **Az elektromos szerszám félretevése előtt megvárni, míg teljesen mozdulatlan állapotba kerül.** Az elektromos szerszám beragadhat, ami az elektromos szerszám feletti uralom elvesztését eredményezheti.
- j) **Az elektromos szerszámot kizárólag ezen típus táplálására szolgáló akkumulátorral lehet használni.** Más akkumulátor használata testi sérülést és tüzet okozhat.

Hosszú fűrészárak használata során betartandó biztonsági

útmutatók:

- a) **Sohase használja a fűrészárak fűrészárak maximális fordulatszámánál nagyobb sebességen.** Mindig alacsony fordulatszámon és a megmunkált anyag megérintése után kezdje meg a fűrészést. Ha a fűrészár magasabb fordulatszámon nem érintkezik a munkadarabbal, hanem szabadon forog, akkor elhajolhat és személyi sérülést okozhat.
- b) **Fűrészés során nyomja rá a fűrészárakat a megmunkált anyagra a fűrészárral egy vonalban, nem szabad túl erősen rányomni.** A fűrészár elhajolhat és megsérülhet, vagy a szerszám feletti uralom elvesztését és személyi sérülést okozhat.



FIGYELMEZTETÉS! Az akkumulátorok és töltők biztonságos használata

Az akkumulátorok használata:

- a) **Kizárólag a gyártó által megadott specifikációknak megfelelő akkumulátorral szabad használni.** Más akkumulátor használata az akkumulátor megrepedését és szétesését, testi sérülést vagy tüzet okozhat.

- b) **FIGYELEM:** Az akkumulátor sérülése és helytelen használata esetén robbanógázok kibocsátására is sor kerülhet. Az akkumulátort mindig távol kell tartani a lángtól és megfelelő szellőzést kell biztosítani a töltés során. Nem szabad hosszabb ideig olyan környezetben hagyni, ahol magas hőmérséklet uralkodik (napsütötte helyeken, fűtőtestek közelében vagy más olyan helyen, ahol a hőmérséklet meghaladja a 40 fokot).
- c) **Az akkumulátor töltését 15-25 °C közötti hőmérsékleten kell végezni.**
- d) **Kizárólag a gyártó által ajánlott töltőt szabad használni.** Más típusú akkumulátor töltésére szolgáló töltő használata tűzveszélyes.
- e) **Óvja az akkumulátort a víztől és a nedvességtől.**
- f) **Amennyiben egymás után egynél több akkumulátort szeretne feltölteni, a töltések között 30 perc szüneteket kell tartani.**
- g) **Semmilyen esetben sem szabad felnyitni az akkumulátort.**
- h) **Kedvezőtlen feltételek esetén előfordulhat, hogy az akkumulátorból folyadék szivároghat ki; kerülni kell a folyadék bőrrel való érintkezését, az érintkezés helyét vízzel lemosni. Ha a folyadék szembe kerül, orvoshoz kell fordulni.**
Az akkumulátorból kifolyó folyadék irritációt vagy megégést okozhat.
- i) **Amikor nem használja az akkumulátort, akkor azt távol kell tartani a fémtárgyaktól, mint gémkapocs, pénzérme, kulcs, szög, csavar és más apró fémtárgyak, amelyek rövidre zárhatják az akkumulátor pólusait. Az akkumulátor pólusainak a rövidzárlata megégést vagy tüzet okozhat.**
- j) **Tilos az akkumulátort tűzbe dobni.**
- k) **Tilos a sérült akkumulátort tölteni.**



Az akkumulátor újratölthető, környezetre káros lítiumot tartalmaz.

Az élettartama lejártá után a természetes környezetre vonatkozó szabályok alapján megsemmisíteni.

E célból vegye ki a teljesen lemerült akkumulátort az elektromos szerszámból, adja le egy akkumulátor begyűjtő helyen vagy az üzletben, ahol azt megvásárolta.

A töltő használata:

- a) **Kizárólag a gyártó által ajánlott töltőt szabad használni.** Más típusú akkumulátor töltésére szolgáló töltő használata tűzveszélyes.
- b) **Tilos a töltőt felnyitni.**
- c) **A töltő kizárólag beltéri használatra szolgál. Óvni a víztől és a nedvességtől.**
- d) **Csak 15-25 °C közötti hőmérsékleten tölteni.**
- e) **Semmilyen fémelemet nem szabad a töltőbe helyezni.**

FÚRÓ-CSAVARÓZÓ RENDELTETÉSE ÉS FELÉPÍTÉSE:

Az akkumulátoros fúró-csavarozó csavarok ki- és becsavarozására, nyílások fúrására szolgál olyan anyagokba, mint az acél, a fa, a műanyag stb.

A fúró-csavarozó kizárólag hobbi jellegű használatra szolgál. **Tilos a szerszámot olyan munkálatokhoz használni, amelyek professzionális szerszám használatát igénylik.**

A berendezés minden fentebb megadott rendeltetéstől eltérő használata tilos és az a garancia megszűnését eredményezi, illetve felmenti a gyártót az ilyen nemű használat okozta károk felelőssége alól.

A berendezés sajátkezü átalakítása felmenti a gyártót a felhasználóban és a környezetben keletkezett sérülések és károk felelőssége alól.

A rendeltetésnek megfelelő használat ellenére sem lehet teljesen kizárni a maradékkockázat meghatározott tényezőit. A gép szerkezetére és felépítésére való tekintettel a következő veszélyhelyzetek léphetnek fel:

- a forgásban lévő fúró kézzel vagy a kezelőszemély ruházatával történő megérintése a munkavégzés során;
- megégés a fúró cseréje során. (A munkavégzés során a fúró nagyon felhevül; a megégés megelőzése érdekében a fúrócsere során munkakesztyűt kell viselni);
- a megmunkált anyag vagy a megmunkált anyag darabjának a visszaverődése;
- fúró elferdülése/eltörése.

■ Tartozékok

- Akkumulátoros fúró-csavarozó-1 db.
- Töltő T3LD-1 db.
- Akkumulátor T315AK-1 db.
- Használati utasítások-1 db.
- Garanciaalap-1 db.

■ A berendezés elemei (lásd a 2. oldalt):

- A. rajz:**
1. Gyorstokmány
 2. Ívbéállító kar
 3. Sebességkapcsoló
 4. Forgásirány kapcsoló
 5. Óvakasztó
 6. Kéztartó szij
 7. Akkumulátor
 8. Akkumulátor rögzítő zár
 9. Indítógomb
 10. Segédvilágítás
- C. rajz:**
11. Töltő
 12. Adapter
 13. Akkumulátor töltési szint kijelző gomb
 14. Akku töltésjelző
- F. rajz:**
15. Nyomatékkuplung beállítás jelölő
 16. Fúrás pozíció jel
- G. rajz:**
17. Balos rögzítő csavar

MŰSZAKI ADATOK:

Áramfeszültség	20 V d.c.	
I-II sebesség kapcsoló	van	
Forgási sebesség teher nélkül (I/II sebesség)	$n_n=0-350 / 0-1300$ /perc	
Maximális forgási pillanat	25 Nm	
Gyorstokmány befogási tartomány	$\varnothing 0,8-10$ mm	
Fúrás maximális átmérője	fa	25 mm
	acél	13 mm
Súly (akkumulátorral)	1,4 kg	
Hangnyomás szint (LpA)	89,9 dB(A)	
Hangerő szint (LwA)	99,9 dB(A)	
K_{tpk}, K_{twa} bizonytalanság	3 dB(A)	
EN 60745 szabvány szerinti vibrációs szint, fúrás $a_{h,0}$ (K bizonytalanság=1,5 m/s ²)	1,746 m/s ²	

Az akkumulátor típusa	Li-ion
Akkumulátor töltésfeszültsége	20 V
Akkumulátor kapacitása	1500mA
Töltő tápfeszültsége	110-240V, 50-60Hz
Töltési idő	3-5 órában

Az említett vibrációs szint reprezentatív az elektromos készülék használata szempontjából. Amennyiben az elektromos készülék más célból vagy egyéb munkaeszközzel kerül használatra, illetve ha karbantartása nem megfelelő, a vibrációs szint eltérhet a megjelölttől. A fent említett okok a vibrációs expozíció szintje növekedéséhez vezethetnek a működés teljes ideje alatt.

Kiegészítő védelmi eszközöket kell használnia, melyek célja a vibrációs expozíció kezelőre gyakorolt hatásaitól való védelem, mint pl.: Elektromos készülék és munkaeszközök karbantartása, a kezek megfelelő hőmérsékletének biztosítása, a munkatevékenységek sorrendjének megállapítása.

A megadott rezgésszint és a megadott zajkibocsátás mérése szabványos vizsgálati módszerrel történt és felhasználhatók a szerszámok összehasonlítására.

A megadott rezgésszint és a megadott zajkibocsátás felhasználható a kezdeti expozíció megállapítására.

Figyelemztetések:

Az elektromos szerszám tényleges használata során a rezgésszint és a zajkibocsátás eltérhet a megadott értékektől, attól függően, hogyan használja a szerszámot, különösen függ a megmunkált anyag típusától.

A kezelőszemély biztonsága érdekében meg kell határozni a biztonsági intézkedéseket, melyek a valós használat alatti expozíció megbecsülésén alapszik (figyelembe véve a művelet összes folyamatát, amikor a szerszám ki van kapcsolva, és amikor üresszáron van, a kioldási idő kivételével).

AMUNKAVÉGZÉS MEGKEZDÉSE ELŐTT:

Minden használat előtt ellenőrizni, hogy a berendezés mozgó részei megfelelően működnek és nincsenek elakadva, elrepedve vagy megsérülve, ami hatással lehet a berendezés megfelelő működésére. A sérült berendezést használat előtt meg kell javíttatni.

■ Az akkumulátor töltése:

A csavarozó félig töltött akkumulátorral kerül kiszállításra. A töltési szintet az akkumulátor töltési szint kijelző gomb megnyomásával ellenőrizhető (13). Egy világító LED dióda alacsony töltési szintet, két világító dióda közepes szintet jelez, három világító dióda az akkumulátor teljes feltöltését jelzi. Használat előtt teljesen fel kell tölteni az akkumulátort. A T3JLD töltővel történő első töltés esetén legalább 3 óra hosszú töltés ajánlott.

1. Nyomja meg az akkumulátorzár gombot (8) és vegye ki az akkumulátort (7) a fúró-csavarozóból (lásd a B rajz).
2. Csatlakoztassa az akkumulátort (7) a töltőre (11) (lásd a C rajz).
3. Csatlakoztassa az adapter dugaszát (12) a töltőre (11).
4. Csatlakoztassa az adaptert a 110-240V, 50-60Hz hálózati aljzatra.

■ Akkumulátor töltés jelzése

A töltő világító zöld LED diódája arról tájékoztat, hogy a töltő csatlakoztatva van a tápforrásra. Az akkumulátor csatlakoztatása után kigyullad a piros dióda, mely arról tájékoztat, hogy a töltés folyamatban van. Ezt az akkumulátor villogó zöld LED diódája is jelzi az akkumulátor aktuális töltési szintjének a jelzésével.

Amikor az akkumulátor teljesen feltöltődik, elszáll a piros dióda és kigyullad a zöld dióda.

A töltés végétével kapcsolja le a töltőt a hálózatról és vegye ki az akkumulátort.

FIGYELEM! A töltés során az akkumulátor enyhén felmelegedhet, ez normál jelenségnek tekinthető.

A lítiumos-ionos akkumulátort bármikor utántöltheti, ez nem csökkenti annak élettartamát. A töltési folyamat félbeszakítása nem növeli az akkumulátor cellák sérülésének a kockázatát.

AMUNKAVÉGZÉS SORÁN:

■ Bekapcsolás/kikapcsolás

Az indítógomb (9) a forgási sebesség folyamatos szabályozásával rendelkezik.

Az elektromos szerszám bekapcsolásához nyomja meg az indítógombot. A forgási sebesség ahhoz mérten nő, hogy mennyire erősen nyomja a gombot. Az elektromos szerszám kikapcsolásához engedje el az indítógombot.

■ Forgásirány beállítása (lásd a E rajz)

A fúró-csavarozógép lehetőséget nyújt arra, hogy a forgási irányt az órajárással megegyező (jobbra forgás) vagy ellenkező (balra forgás) irányba állítsuk be:

- a forgási sebesség jobbra történő beállításához a kapcsoló balra/jobbra forgás tolokáját (4) fordítsa balra (lásd a készülék hátoldalán).

- a forgási sebesség balra történő beállításához a kapcsoló balra/jobbra forgás tolokáját (4) fordítsa jobbra (lásd a készülék hátoldalán).

Amikor a forgásirány kapcsoló középen helyezkedik el, az indítógomb (9) le van blokkolva.

Fúrászhöz és csavarozáshoz állítsa jobbra a forgási irányt. A fúrófej behúzásához, a fúrófej blokkoló kivételéhez és a csavarok kicsavarozásához állítsa balra a forgási irányt.

■ Forgási fordulatszám beállítása (lásd a F rajz)

A fúró-csavarozógép egy olyan gyűrűvel (2) rendelkezik, amellyel a csavarok becsavarozásakor be lehet állítani a forgás fordulatszámát. A gyűrűn 22 pozíció található, 1-től 21-ig, valamint a fúró pozíció.

A gyűrű kiválasztott pozícióba (1-től 21-ig) történő beállítása az iv feszítőerejét állapítja meg a fordulatszám által megállapított mértékben. Ez lehetővé teszi a csavar túl mélyen történő becsavarozása vagy sérülése elleni biztosítást. Különböző típusú csavarokhoz és anyagokhoz a forgási fordulatszám különböző értékeit kell használni.

Mindig kis fordulatszámmal kell kezdeni és fokozatosan emelni a fordulatszámot, amíg eléri a kívánt eredményt.

Fém, fa és műanyag fúrásához úgy állítsa be a gyűrűt (2), hogy a jelző (15) takarja el a jelet (16).

■ Sebességváltás (lásd a A rajz)

Használja a sebességkapcsolót (3) a 2 forgási sebesség valamelyikének kiválasztásához.

I. sebesség: A csavarok be- és kicsavarozásánál használatos.

II. sebesség: Fúrásnál használatos.

FIGYELEM! Ne változtassa a sebességkapcsoló (3) pozícióját a szerszám működése közben! Ez megsértheti a szerszám emelőkarját! A szerszám még a sebességkapcsoló beállításának változtatása előtt meg kell álljon!

Amennyiben a sebességkapcsoló nem helyezhető a maximális értékre, mozgassa meg egy kicsit a forgási tengelyt!

■ Tokmány cseréje (lásd a G rajz):

1. Vegye le az akkumulátort (7) a csavarozóról.

2. Maximálisan nyissa ki a tokmányt (1).

3. Csatolja ki a tokmányrögzítő csavart egy PH 2 (Philips Nr 2) csavarhúzóval az óramutató járásával megegyező irányban (**FIGYELEM! Balos menet**). A beragadt csavart a fej enyhé megütésével is kioldhatja.

4. Csavarja ki a fűrő-csavarozó fogantyúját az óramutató járásával ellentétes irányba csavarva (a fogantyú felől nézve).

FIGYELEM: A beragadt fűrő gyorsotkmányt (1) egy imbuszkulcs behelyezésével is meglazíthatja: rögzítse az imbuszkulcsot a rövidebboldallal a tokmánya és lazítsa meg a tokmányt a kulcs hosszú karának gyenge megütésével (lásd a Drójt).

5. A tokmány beszereléséhez az órajárással megegyező irányba (a tokmány felől nézve) kell azt a tengelybe becsavaroznia és a rögzítő csavarral rögzítenie, valamint a PH 2-es (2. sz. Philips) csavarhúzóval az órajárással ellentétes irányba becsavaroznia.

TOVÁBBI ELEMELK:

- A praktikus óvakasztó (5) a fűrő-csavarozó szíjra akasztását teszi lehetővé mind a jobb-, mind a balkezes felhasználó számára.
- A fűrő-csavarozógép a fűrés/csavarozás helyének megvilágításával (10) van ellátva, amely az indítógomb (9) megnyomásakor kapcsol be.

■ Munkaeszközök cseréje

FIGYELEM! Kapcsolja le az akkumulátort a fűrő-csavarozógépről vagy állítsa a középső pozícióba a forgásirány kapcsolót (4) ahhoz, hogy megvédje önmagát a szerszám véletlenszerű bekapcsolásától, amely megsbezhetheti a kezelőt.

Kioldott kapcsológombnál (9) leblokkol a fűrőorsó. Ez lehetővé teszi a munkaszerszám gyors, kényelmes és könnyű cseréjét a fűrőtokmányaiban. A fűrő (vagy fej) tokmányból való kivételéhez forgassa el balra a tokmány gyűrűjét a tokmány nyílásának a növeléséhez. A fűrő (vagy fej) tokmánya szereléséhez forgassa el a tokmány gyűrűjét jobbra egészen a fűrő beszorulásáig.

A fűrőt (vagy más típusú fejet) ellenállásig kell a tokmánya helyezni.

■ Nyílások fűrésa

1. Mély nyílások fűrésához lépésben fúrni, kisebb mélységekre, majd kihúzni a fűrőt a nyílásból, hogy lehetővé tegye a forgács eltávolítását a nyílásból.
2. Nagy átmérőjű nyílás fűrésához ajánlatos egy kisebb nyílás fűrésával kezdeni, majd azt a kívánt méretre bővíteni. Ez megelőzi a fűrőgép esetleges túlterhelését.
3. Ha a fűrés során beragad a fűrő, azonnal ki kell kapcsolni a fűrőgépet, hogy elkerülje annak megsérülését. A forgásirány kapcsoló segítségével távolítsa el a fűrőt a lyukból.
4. A fűrőgépet a tervezett nyílással egy tengelyben kell tartani. A fűrőt a megmunkált anyagra egyenes szögben kell beállítani. Abban az esetben, ha nem sikerül megtartani az egyenes szöget, beragadhat vagy eltörhet a fűrő a nyílásban, szélsőséges esetben pedig akár a kezelőszemély sérülését is eredményezheti.

Az orsó fordulatszámát a kapcsológomb megfelelő nyomáserejével szabályozhatjuk.

■ Csavarok becsavarása

Előbb egy csavarvezető nyílást ajánlatos végezni, a csavar hosszánál kicsit mélyebbet és a csavarmenet külső átmérőjénél kicsit kisebb átmérővel. Abban az esetben, ha a csavar egy anyag szélének a szomszédságában található, a csavarvezető nyílás elkészítése megelőzi az anyag véletlenszerű lepattogzását.

Ha nehezen meg a becsavarozás, ki kell csavarni a csavart és egy kicsit meg kell nagyobbítani a csavarvezető nyílást.

Ha továbbra is nehézséget okoz a csavar becsavarozása (ami kemény fajtájú fa esetében fordulhat elő), kenőanyagot kell használni (pl. folyékony szappant). Megfelelő nyomást kell fejteni a csavarozóra, hogy elkerülje a

csavarozó fej csavarfejhez viszonyított elfordulását. A csavarfoglatat sérülése lehetetlenné teheti a csavar becsavarozását és kicsavarozását.

TÁROLÁS ÉS KARBANTARTÁS:

Az elektromos szerszám alapjaiban véve nem igényel speciális karbantartási műveletet. A fűrő-csavarozót gyermekektől elzárva tárolni, tiszta állapotban tartani, óvni a nedvességtől és a portól. A tárolási feltételeknek lehetetlenné kell tenniük a gép mechanikus sérülését és a káros légköri tényezők hatását.

FIGYELEM: A tisztítási és karbantartási műveletek végrehajtása előtt mindig le kell kapcsolni az akkumulátort a csavarozóról és ki kell húzni a töltő dugaszát a konnektorból. A töltőt csak száraz/törölendővel szabad tisztítani.

A csavarozónál időnként meg kell tisztítani a szellőzőnyílásokat egy száraz kefe vagy törölköndő segítségével. Rendszeres időközönként le kell szerelni a tokmányt és ki kell szórni a tokmányaiban összegyűlt port és más szennyeződést.

A csavarozó készülékházát rendszeres időközönként meg kell tisztítani enyhén szappanos, nedves törölköndővel a por és a más szennyeződések eltávolításához. Semmilyen tisztítószert vagy oldószert nem szabad használni; ezek káros hatással lehetnek a készülék műanyag elemeire. Ügyelni kell arra, hogy a készülék belsejébe ne kerüljön be víz. Tisztítás után megvárni, míg teljesen megszárad a csavarozó.

SZÁLLÍTÁS:

Az elektromos szerszámot a nedvesség, a por és az apró részecskék okozta szennyeződéstől védő szállító kofferben kell szállítani és tárolni, különösen a szellőző nyílásokat kell bebiztosítani. A gép belsejébe kerülő apró részecskék a motor károsodását okozhatják.

Ha eltávolítja az akkumulátort a készülékből a szállítás vagy tárolás idejére, győződjön meg róla, hogy nem zárnak rövidre az akkumulátor érintkezői. Távolítsa el a bóröndből, szerszámokládból vagy a szállítótárolóból a fémtárgyakat, pl. kötőcsavarokat, szögeket, csatokat, szétszört bitfejeket, drótokat vagy fémreszelékeket, vagy más módon előzze meg ezen elemek akkumulátorral való érintkezését.

GYÁRTÓ:

PROFIX Sp. z.o.o., Marywilka u. 34, 03-228 Varsó, LENGYELORSZÁG

Ez a gép megfelel a nemzeti és európai szabályoknak, valamint a biztonsági előírásoknak.

FIGYELEM! Műszaki problémák esetén lépjen kapcsolatba a márkaszervizzel. Minden javítást szakképzett személy végezhet, kizárólag eredeti cserealkatrészt használva!

PIKTOGRAMOK:

A névleges táblázatban szereplő rajzok magyarázata:



– «Bekapcsolás és működtetés előtt olvassa el a használati utasításokat!»



– «Óvni az akkumulátort a magas hőmérséklettől, pl. az állandó napsugárzástól.»



– «Tilos az akkumulátort tűzbe dobni.»



– «Tilos az akkumulátort vízbe dobni.»



– «Kizárólag beltéri használatra.»

KÖRNYEZETVÉDELEM:

FIGYELEM! Ez a jel azt jelöli, hogy a használt készüléket tilos egyéb hulladékkal egy helyen elhelyezni (pénzbüntetés terhe mellett). Elektromos és elektronikus gépek veszélyes alkotórészei negatívan befolyásolják a környezetet és az emberek egészségét.

Minden háztartásnak hozzá kell járulnia a használt készülékek visszanyeréséhez és újrahasznosításához. Úgy Lengyelországban, mint Európában megszervezik vagy már létezik a használt készülékek gyűjtési rendszere, melynek keretében az adott készülék minden értékesítési helyén kötelesek átvenni a használt készüléket. Ezenkívül léteznek ilyen típusú készülékek gyűjtő központjai is.

TÍPIKUS MEGHIBÁSODÁSOK ÉS AZOK ELTÁVOLÍTÁSA:

MEGHIBÁSODÁS	LEHETSÉGES OK	HIBA ELTÁVOLÍTÁSA
A fúró- csavarozó nem működik.	Nincs tápellátás, sérült motor vagy kapcsológomb.	Ellenőrizze az akkumulátor töltöttségét, szükség esetén tölteni vagy újra cserélni. Ha továbbra sem működik az elektromos szerszám, küldje be a garanciakártyán megadott című szervizbe.
Zavar a motor működésében.	Lemerült elem.	Töltse fel az akkumulátort.
	Elkopott szénkefék.	Cseréltesse ki a szénkefákat a szervizben.



A PROFIX cég politikája az, hogy folyamatosan tökéletesítse termékeit, ezért fenntartja magának azt a jogot, hogy a termék specifikációját előzetes tájékoztatás nélkül módosítsa! A használati utasításokban megjelölt ábrák csak példák, ezek kicsit eltérhetnek a megvásárolt eszköz valódi arculatától!

Az alábbi útmutatót szerzői jogok védik. Annak másolása / sokszorosítása a Profix Sp. z o.o. cég írásos beleegyezése nélkül tilos.



PRIEŠ RADEKANT DARBĄ SUSIPAŽINKITE SU INSTRUKCIJA.

Išsaugokite instrukciją, nes gali būti reikalinga vėliau.



ĮSPĖJIMAS! Prašome perskaityti visus įspėjimus dėl saugaus naudojimo pažymėtus simboliais ⚠ bei visas nuorodas dėl saugaus naudojimo.

Žemiau pateikiamų įspėjimų dėl saugos bei saugos nuorodų nesilaikymas gali būti elektros smūgio, gaisro ir/arba sunkių kūno sužalojimų priežastimi.

Išsaugokite visus įspėjimus ir visus saugos nuorodas, kad vėliau būtų galima jais pasinaudoti.

Žemiau pateiktuose įspėjimuose sąvoka „elektros prietaisas“ apibūdina elektros prietaisą maitinamą elektros energija iš elektros tinklo (maitinimo laidas) arba elektros prietaisą maitinamą akumuliatoriumi (belaidis).



ĮSPĖJIMAS! Bendri įspėjimai dėl saugaus įrankio naudojimo.

Sauga darbo vietoje:

- Darbo vietoje turi būti švaresnis, tvarkingas bei geras apšvietimas. *Netvarkinga bei netinkamas darbo vietos apšvietimas gali būti nelaimingų atsitikimų priežastimi.*
- Nenaudoti elektros prietaiso sprogioje aplinkoje, kurioje yra degūs skysčiai, degios dujos arba dulkės. *Elektros prietaiso darbo metu susidaro elektros kibirkštis, todėl gali užsidegti esantis aplinkoje garai.*
- Darbo vietoje negali būti vaikų bei pašaliniai. *Dėmesio nukreipimas gali būti elektros prietaiso valdymo praradimo priežastimi.*



ĮSPĖJIMAS! Bendri įspėjimai dėl saugaus įrankio naudojimo.

Elektros sauga:

- Elektros prietaisų kištukai turi atitikti elektros lizdo tipui. Jokių būdu negalima keisti kištuko. Jeigu elektros prietaisas turi įžeminimą, negalima naudoti ilgutuvo. *Originalių kištukų bei lizdų naudojimas sumažina elektros smūgio riziką.*
- Venkite kūno kontakto su žemintais paviršiais, tokiais kaip vamzdžiai, šildytuvai, centrinio šildymo radiatoriai bei šaldytuvais. *Kontaktas su žemintais paviršiais didina elektros smūgio pavojų.*
- Saugokite prietaisą nuo lietaus ir drėgmės. *Jeigu vanduo patenka į elektros prietaisą, padidėja elektros smūgio rizika.*
- Nenaudokite laidų ne pagal paskirtį. Neneškite įrenginio paėmę už laido, netraukite už jo norėdami išjungti kištuką iš elektros lizdo. Laidą klokite taip, kad jo neveiktų karštis, jis neišsitemptų alyva ir jo nepažeistų aštrios detalės ar judančios prietaiso dalys. *Pažeistas laidas gali tapti elektros smūgio priežastimi.*
- Jeigu elektros prietaisas yra naudojamas lauke, laido prailginimui naudokite tik specialiai tam skirtus prailgintuvus. *Prailgintuvų skirtų darbui lauke naudojimas sumažina elektros smūgio riziką.*
- Įrankį rekomenduojama jungti į elektros maitinimo tinklą, turintį likutinės srovės įrenginį (RCD), kurio išjungimo srovė yra 30 mA arba mažesnė.
- Jeigu negalima išvengti elektros prietaiso naudojimo drėgnoje aplinkoje, naudokite RCD įrenginį. *RCD įrenginio naudojimas sumažina elektros smūgio riziką.*



ĮSPĖJIMAS! Bendri įspėjimai dėl saugaus įrankio naudojimo.

Žmonių sauga:

- Prietaisu negali naudotis asmenys (tame tarpe vaikai) turintis fizinius, jutimo arba psichinius negalavimus, taip pat asmenys neturintis darbo patirties arba nesuspajinę su prietaisu, nebent toks darbas vyksta stebint specialistui arba pagal prietaiso naudojimo instrukciją, kurį buvo perduota asmeniui atsakingu už saugą.
- Būkite atidūs, sutelkite dėmesį į tai, ką Jūs darote ir, dirbdami su elektros prietaisu, vadovaukitės sveiku protu. Nedirbkite su prietaisu, jei esate pavargę arba vartojote narkotikus, alkoholį ar medikamentus. *Akimirkšnio neatidumas naudojant prietaisą gali tapti rimtų sužalojimų priežastimi.*
- Dėvėkite tinkamą aprangą. Nešiokite apsauginius akinius. *Apsauginės aprangos, tokios kaip dulkių kaukė, neslystantis apsauginiai batai, šalmai, asinės, naudojimas sumažina sužalojimų grėsmę.*
- Saugokitės, kad neįjungtumėte prietaiso atsitiktinai. **Prieš įjungiant kištuką į elektros lizdą ir/arba prieš akumuliatoriaus įjungimą bei prieš paėmimą arba pernešant prietaisą įsitikinkite, kad prietaisas yra išjungtas.** *Prietaiso pernešimas su pirštu ant jungiklio arba prietaiso įjungimas į maitinimo tinklą gali tapti nelaimingo atsitikimo priežastimi.*
- Prieš įjungdami prietaisą pašalinkite raktus. *Prietaiso besisukančioje dalyje esantis įrankis ar raktas gali tapti sužalojimų priežastimi.*
- Nepasilenkite pernelyg į priekį. **Dirbdami atsisotokite patikimai ir visada išlaikykite pusiausvyrą.** *Patikima stovėseną ir tinkama kūno laikysena leis geriau kontroliuoti prietaisą netikėtose situacijose.*
- Dėvėkite tinkamą aprangą. Nedėvėkite plaučių drabužių ir papuošalų. Saugokite plaukus, drabužius ir pirštines nuo besisukančių prietaiso dalių. *Laisvus drabužius, papuošalus bei ilgus plaukus gali įtraukti besisukančios prietaiso dalys.*
- Jeigu įrenginiai yra pritaikyti prijungimui prie dulkių nusiurbimo ir dulkių surinkėjo, įsitikinkite, kad šie įrenginiai tinkamai prijungti ir panaudoti pagal paskirtį. *Dulkių surinkėjų panaudojimas sumažina dulkių poveikio pasekmes.*
- Elektros įrankių naudojimo įgūdžiai, įgyti dažno jų naudojimo metu, negali per daug padidinti Jūsų pasitikėjimo savimi ir leisti nesilaikyti saugos taisyklių. *Neatsargiai naudojantis elektros įrankiais, galima rimtai susižeisti per kelias sekundes.*



ĮSPĖJIMAS! Bendri įspėjimai dėl saugaus įrankio naudojimo.

Rūpestinga elektros prietaisų priežiūra ir naudojimas

- Neperkraukite prietaiso. Naudojamo prietaiso galingumas turi atitikti atliekamam darbui. *Tinkamai parinktas elektros prietaisas leis atlikti darbą gerai ir saugiai.*
- Nenaudokite elektros prietaiso su sugedusiu jungikliu. *Elektros prietaisas, kurio nebeįgalima įjungti ar išjungti, yra pavojingas ir jį reikia remontuoti.*
- Prieš reguliuodami prietaisą, keisdami darbo įrankius arba prieš sandėliavimą ištraukite kištuką iš elektros lizdo ir/arba atjunkite akumuliatorių. *Ši saugumo priemonė apsaugos jus nuo netikėto prietaiso įsijungimo.*

- d) **Nenaudojamą prietaisą sandėliuokite vaikams ir nemokantiems juo naudotis arba nesuspajūsiusiems su instrukcija asmenims neprieinamoje vietoje.** *Elektriniai įrankiai yra pavojingi, kai juos naudoja nepatyrę asmenys.*
- e) **Rūpestingai prižiūrėkite prietaisą.** *Patikrinkite, ar besisukančios prietaiso dalys tinkamai veikia ir niekur neklūva, ar nėra sulūžusių ar šiaip pažeistų dalių, kurios įtakotų elektros prietaiso veikimą. Jeigu yra gedimai suremontuokite prietaisą. Daugelio nelaimingų atsitikimų priežastis yra blogai prižiūrimi elektros prietaisai.*
- f) **Pjovimo įrankiai turi būti aštrūs ir švarūs.** *Rūpestingai prižiūrėti elektros prietaisai su aštriais pjovimo įrankiais yra lengviau valdomi ir juos geriau kontroliuoti.*
- g) **Elektros prietaisą, papildomus įrankius, darbo įrankius ir t.t. naudokite tik pagal instrukciją, turėdami omeny darbo sąlygas bei atliekamo darbo pobūdį.** *Elektros prietaiso naudojimas ne pagal paskirtį gali sukelti pavojingas situacijas.*
- h) **Jeigu prietaisas nebuvo naudojamas ilgesnį laiką arba yra naudojamas žemos temperatūros sąlygose, įjunkite jį kelioms minutėms be apkrovos tam, kad tepalas tinkamai pasiskirstytų pavaros mechanizme.**
- i) **Elektros prietaisus valykite minkštu, drėgnu (ne šlapiu) skuduru ir muilu.** *Nenaudokite benzino, tirpiklių bei kitų priemonių galinčių pažeisti prietaisą.*
- j) **Elektros prietaisą laikykite/transportuokite tik po to, kai įsitikinsite, kad jo visos besisukančios dalys yra užblokuotos ir saugomos originaliomis, specialiai tam skirtomis detalėmis.**
- k) **Elektros prietaisą laikykite sausoje, apsaugotoje nuo dulkių bei drėgmės vietoje.**
- l) **Elektros prietaisą transportuokite originalioje pakuotėje, saugančioje nuo mechaninių pažeidimų.**
- m) **Rankenos ir kiti įrankio laikymo paviršiai turi būti švarūs, nealiejuoti ir netepaluoti.** *Jeigu rankenos ir kiti įrankio laikymo paviršiai yra slidūs, netikėtose situacijose negalėsite įrankio saugiai laikyti ir valdyti.*



ĮSPĖJIMAS! Bendri įspėjimai dėl saugaus įrankio naudojimo.

Remontas:

- a) **Garantinį ir pogarantinį elektros įrankių remontą atlieka PROFIX servisas, todėl garantuojama aukščiausia remonto darbų kokybė bei originalios atsarginės dalys.**



DĖMESIO! Akumuliatorinis smūginis suktuvas – gręžtuvas, saugaus darbo nuorodos.

Žmonių sauga:

- a) **Darbo metu naudokite klausos apsaugos priemones.** *Ilgalaikis darbas triukšme gali sukelti klausos praradimą.*
- b) **Darbo metu, kai yra pavojus užkliudyti elektros laidus arba paties prietaiso laidą, elektros prietaisą laikykite už izoliuotus paviršius.** *Jeigu yra kontaktas su elektros laidais, tai visos metalinės prietaiso dalys taip pat yra po įtampa, o tai gali sukelti elektros smūgį.*
- c) **Elektros laidų lokalizavimui naudokite tinkamus lokalizavimo prietaisus arba kreipkitės į pastato administraciją.** *Kontaktas su elektros laidais gali būti gaisro bri elektros smūgio priežastimi. Dujų vamzdžio pažeidimas gali sukelti sprogimą. Vandentiekio vamzdžių pažeidimas gali sugadinti aplinkoje esančius daiktus.*
- d) **Draudžiama dirbti su medžiagomis, kurių sudėtyje yra asbestas.** *Asbestas gali būti navikinių susirgimų priežastimi.*
- e) **Darbo vietoje turi būti švaru.** *Ypač pavojingi yra medžiagų mišiniai.*

Lengvos metalo dulokės gali užsidegti arba sprogti.

- f) **Būtina patikimai pritvirtinti apdorojamą daiktą.** *Įsitikinkite, kad visi tvirtinimo gnybtai yra užveržti bei patikrinkite, kad jie nebūtų pernelyg laisvi. Apdoramo daikto pritvirtinimo tvirtinimo mechanizmu arba spaustuvoje didina darbo saugumą.*
- g) **Elektros prietaisą darbo metu būtina tvirtai laikyti bei užtikrinti stabilią darbo poziciją.** *Varžtų užskomo arba atsukimo metu gali atsirasti momentai, kai smūgiai yra labai stiprus.*
- h) **Jeigu naudojamas įrankis įstrigo, nedelsiant ištraukite elektros prietaiso kištuką iš elektros lizdo.** *Būkite pasirošę įrankio vibravimui, kuriuo metu gali būti atmesta apdorojama medžiaga. Naudojamas įrankis gali įstrigti, jeigu: elektros prietaisas bus perkrautas arba išsikreivins apdorojamoje medžiagoje.*
- i) **Prieš padedant elektros prietaisą palaukite kol jis visiškai sustos.** *Darbo įrankis gali užstrigti ir tokiu būdu priversti prie kontrolės praradimo.*
- j) **Elektros prietaisą naudokite tik su specialiai jų maitinimui skirtais akumuliatoriais.** *Kito akumuliatoriaus naudojimas gali būti sužalojimų arba gaisro priežastimi.*

Ilgų gražtų saugaus naudojimo instrukcija:

- a) **Niekuomet nedirbkite maksimalų gražto sukimosi greitį viršijančiu greičiu.** *Visuomet grežti pradėkite mažu greičiu, gražtui palietus apdirbamą objektą. Naudojant didesnį greitį, apdirbamo objekto nuleičiantis gražtas gali sulinkti ir sukelti kūno sužalojimus.*
- b) **Gręždami tiesia linija spauskite gražtą prie apdirbamo objekto; nespauskite per stipriai.** *Gražtai gali sulinkti ir sukelti kūno sužalojimus. Taip pat galite nustoti gražtą valdyti, kas taip pat gali sukelti kūno sužalojimus.*



ĮSPĖJIMAS! Saugus akumuliatorių bei įkroviklių naudojimas.

Akumuliatorių naudojimas:

- a) **Naudokite akumuliatorius atitinkančius gamintoju nurodytus reikalavimus.** *Akumuliatorius neatitinkantis reikalavimus gali skilti, tai gresia kūno sužalojimais bei gaisru.*
- b) **DĖMESIO: Jeigu gedo netinkamus parametrus turintis akumuliatorius, gali susidaryti sprogstamosios dujos.** *Akumuliatorius laikykite atokiau nuo ugnies šaltinių bei užtikrinkite tinkamą vėdinimą įkrovimo metu. Draudžiama laikyti akumuliatorius aukštoje temperatūroje (tiesioginiuose saulės spinduliuose, arti kaitintuvų bei kitose vietose, kur temperatūra viršija 40C laipsnių).*
- c) **Akumuliatorius turi būti įkraunamas 15-25°C temperatūroje.**
- d) **Naudokite tik gamintojo rekomenduojamą įkroviklį.** *Kito tipo įkroviklio naudojimas sukelia gaisro pavojų.*
- e) **Saugokite akumuliatorių nuo vandens ir drėgmės.**
- f) **Jeigu yra įkraunamas daugiau negu vienas akumuliatorius, būtina padaryti 30 min. pertrauką tarp įkrovimų.**
- g) **Draudžiama atidaryti akumuliatorių.**
- h) **Esant nepalankioms sąlygoms iš akumuliatoriaus gali išbėgti skystis; venkite kontakto su juo.** *Jeigu netyčia įvyks kontaktas su skystiu, pažeistą vietą nuplaukite vandeniu. Jeigu skystis pataiko įakis, kreipkitės medicininės pagalbos. Akumuliatoriaus skystis gali sukelti odos sudirginimą ar nudegimą.*
- i) **Kai akumuliatorius nėra naudojamas, laikykite jį atokiau nuo metalinių daiktų, tokių kaip: sąvaržėlės, monetos, raktai, vynai, sraigčiai arba kiti metaliniai daiktai, kurie gali būti trumpojo sujungimo su akumuliatoriaus gnybtais priežastimi.** *Trumpasis*

su jungimas gali būti nudegimų arba gaisro priežastimi.

j) **Draudžiama įmesti akumulatorius į ugnį.**

k) **Draudžiama įkrauti pažeistą akumulatorių.**



Akumulatorių įkraunamų daug kartų sudėtyje yra ličio, kuris yra kenksmingas aplinkai. Sunaudotus akumulatorius būtina utilizuoti atitinkamai aplinkos apsaugos reikalavimams. Tokiu atveju visiškai iškraukite akumulatorių, išimkite iš elektros prietaiso ir nuneškite į akumulatorių utilizavimo tašką arba priduoškite parduotuvėje, kurioje buvo nupirktas.

Įkroviklio naudojimas:

a) **Įkrovimui naudokite tik gamintojų rekomenduojamą įkroviklį.**

Kito tipo įkroviklio naudojimas sukelia gaisro pavojų.

b) **Draudžiama atidaryti arba atsukti įkroviklį.**

c) **Įkroviklis skirtas naudojimui tik patalpose. Saugokite jį nuo vandens ir drėgmės poveikio.**

d) **Kraukite temperatūroje nuo 15 iki 25 laipsnių.**

e) **Negalima įdėti jokių metalinių elementų į įkrovimo agregatą.**

GRĘŽTUVO-SUKTUVO PASKIRTIS IR SANDARA:

Akumuliatorinis gręžtuvas-suktuvys yra skirtas varžtams sukuti bei gręžti skylės medienoje, pliene, sintetinėse medžiagose ir pan.

Gręžtuvas-suktuvys yra skirtas tik mėgėjiškiems darbams. **Draudžiama naudoti prietaisą darbams reikalaujanties profesionalių prietaiso panaudojimo.**

Kiekvienas elektros prietaiso panaudojimas ne pagal paskirtį sukelia garantijos praradimą bei gamintojas tokiu atveju nėra atsakingas už patirtas žałas.

Bet kokios prietaiso modifikacijos padarytos naudotoju atleidžia gamintoją nuo atsakomybės už žałas patirtas tokiu atveju naudotoju bei aplinkiniams.

Nepaisant tinkamo prietaiso naudojimo negalima visiškai išvengti rizikos. Galimi rizikos atvejai:

- besisukančio darbo įrankio lietimasis ranka arba rūbais, kontaktas su maitinimo laidu.
- apsišūtinimas keičiant darbo įrankį. (Darbo metu darbo įrankis labai įkaista ir tam, kad išvengti apsišūtinimo jo keitimo metu būtina naudoti apsaugines pirštines).
- apdorojamos medžiagos arba jos dalies atmetimas;
- darbo įrankio iškreivimas / lūžis.

■ Komplektavimas

- Akumuliatorinis gręžtuvas-suktuvys - 1 vnt.
- Įkroviklis TJ3LD - 1 vnt.
- Akumuliatorius TJ15AK - 1 vnt.
- Naudojimo instrukcija - 1 vnt.
- Garantinis lapas - 1 vnt.

■ Prietaiso elementai (žr. 2 psl):

Pav.A 1. Greitai užveržiamas gręžimo patronas (griebtas)

2. Sankabos reguliavimo rankenėlė

3. Eigos jungiklis

4. Apsukimų krypties jungiklis

5. Diržo sagtis-laikiklis

6. Diržas pakabinimui ant rankos

7. Akumuliatorius

8. Akumuliatoriaus blokavimo mygtukas

9. Įjungimo / Išjungimo mygtukas

10. Papildomas apšvietimas

Pav.C 11. Įkroviklis

12. Adapteris

13. Akumuliatoriaus įkrovimo lygio mygtukas

14. Baterijos lygio indikatorius

Pav.F 15. Sankabos nustatymo rodyklė

16. Pozicijos „gręžimas“ piktograma

Pav.G 17. Montavimo varžtas (kairysis)

TECHNINIAI DUOMENYS:

Maitinimo įtampa	20 V d.c.
Eigos jungiklis I-II	yra
Apsukimų greitis be apkrovos (I/II Eiga)	$n_0 = 0-350 / 0-1300$ /min
Maks. sukimo momentas	25 Nm
Griebtuvo kumštelių praskėtimo ribos	\varnothing 0,8-10 mm
Maksimalus gręžimo diametras	mediena 25 mm
	plienas 13 mm
Svoris (su akumuliatoriumi)	1,4 kg
Akustinio slėgio lygis (LpA)	89,9 dB(A)
Akustinio pajėgumo lygis (LwA)	99,9 dB(A)
Matavimo paklaida K_{LpA} , K_{LwA}	3 dB(A)
Vibracijos lygis pagal normą EN 60745, gręžimas $a_{h,v}$ (matavimo paklaida $K=1,5$ m/s ²)	1,746 m/s ²
Akumuliatoriaus tipas	Li-ion
Akumuliatoriaus įkrovimo įtampa	20 V
Akumuliatoriaus talpa	1500mA
Įkroviklio maitinimo įtampa	110-240V, 50-60Hz
Įkrovimo laikas	3-5 valandos

Pateiktas virpesių lygis yra reprezentatyvus pagrindiniams prietaiso panaudojimams. Jeigu elektros prietaisais bus panaudotas kitiems tikslams arba su kitais papildomais darbo įrankiais bei jeigu nebus tinkamai prižiūrimas, virpesių lygis gali skirtis.

Pateiktos aukščiau priežastys gali padidinti vibracijų lygi darbo metu. Būtina panaudoti papildomas priemones, saugančias naudotoją nuo vibracijų pasekmių, pav.: prietaiso ir darbo įrankių priežiūra, veiksmų eilės nustatymas.

Deklaruotos bendros vibracijos ir triukšmo vertės išmatuotos, taikant standartinį bandymo metodą, ir gali būti naudojamos įrankių lyginimui.

Deklaruotos bendros vibracijos ir triukšmo vertės gali būti naudojamos pradiniam poveikio vertinimui.

Įspėjimai:

Vibracija ir triukšmas elektros įrankio naudojimo metu gali skirtis nuo deklaruojamos vertės, kadangi tai priklauso nuo įrankio naudojimo būdo ir apdirbamo objekto.

Būtina apibrėžti operatoriaus darbo saugos priemones. Jos turi remtis poveikio vertinimu realioje įrankio naudojimo situacijoje (atsižvelgiant į visas darbo ciklo dalis: laiką, kuomet įrankis yra išjungtas ir kuomet veikia tuščia eiga, išskyrus įjungimo laiką).

PRIEŠ PRADANT DARBĄ:

Prieš kiekvieną naudojimą patikrinkite ar besisukančio įrenginio dalys tinkamai veikia bei nėra užblokuotos, įtrūkusios arba pažeistos, nes tai gali turėti įtakos tinkamam įrankio darbui. Jei įrankis sugedo, prieš naudojimą būtina įsiremontuoti.

■ Akumuliatoriaus įkrovimas

Suktuvus parduodamas su dalina įkrautu akumuliatoriumi. Įkrovimo lygi

galima patikrinti, nuspaudus akumuliatoriaus įkrovimo lygio mygtuką (13). Jeigu šviečia viena LED lemputė, tai reiškia žemą įkrovimo lygį, dvi lemputės rodo vidutinį įkrovimą, o trys reiškia pilną akumuliatoriaus įkrovimą. Prieš naudojant, būtina įkrauti akumuliatorius iki pilno įkrovimo. Pirmojo įkrovimo T3J3LD įkrovikliu metu rekomenduojamas ne trumpiau nei 3 valandas trunkantis įkrovimas.

1. Nuspauskite akumuliatoriaus fiksavimo mygtuką (8) ir iš suktuvo – gręžtuvo išimkite akumuliatorių (7) (žr. pav. B).
2. Prijunkite akumuliatorių (7) prie įkroviklio (11) (žr. pav. C).
3. Įjunkite adapterio kištuką (12) į įkroviklį (11).
4. Įjunkite adapterį į 110-240V, 50-60Hz elektros tinklo lizdą.

■ Akumuliatoriaus įkrovimo rodyklė

Ant įkroviklio šviečianti žalia LED lemputė reiškia, kad įkroviklis yra įjungtas į elektros maitinimo šaltinį. Prijungus akumuliatorių, pradeda šviešti raudona lemputė, kuri informuoja apie įkrovimo procesą. Tai taip pat rodo mirgančios žalios akumuliatoriaus LED lemputės, kurios informuoja ir apie esamą įkrovimo lygį.

Kuomet akumuliatorius bus visiškai įkrautas, užges raudona lemputė, o užsidegs žalia.

Kai įkrovimas baigtas, išjunkite įkroviklį ir išimkite akumuliatorių.

DĖMESIO! Įkrovimo metu akumuliatorius gali šiek tiek įkaisti. Tai normali su šiuo procesu susijusi situacija.

Ličio jonų akumuliatorių galima įkrauti bet kurio metu ir baterijos naudojimo laikas nesutrumpėja. Taip pat dėl įkrovimo proceso nutraukimo akumuliatoriui negresia gedimas.

DARBAS:

■ Įjungimas/išjungimas

Užmontuotas jungiklis (9) leidžia tolygiai reguliuoti apskimų greitį.

Norėdami įjungti prietaisą, paspauskite paleidimo jungiklį. Apsukimų greitį galima didinti stipriau paspaudžiant jungiklį. Norėdami sustabdyti elektros įrankį, atlaisvinkite jungiklį.

■ Apsukimų krypties pasirinkimas (žr. pav. E)

Gręžtuvas-suktuvas gali dirbti pagal laikrodžio rodyklės (dešinėje apskūmai) arba priešingai laikrodžio rodyklėms (kairėje apskūmai):

- norėdami pasirinkti apskūmus į dešinę, pastumkite krypties apskūmą jungiklį (4) į kairę (žiūrint iš galo),
- norėdami pasirinkti apskūmus į kairę, pastumkite krypties apskūmą jungiklį (4) į dešinę (žiūrint iš galo).

Kai krypties apskūmą jungiklis yra viduryje, jungiklis (9) yra užblokuotas.

Atliekant gręžimą arba įsukant varžtus nustatykite dešininius apskūmus. Jeigu norite ištraukti įstrigusį grąžtą arba išsukti varžtus, nustatykite kairiuosius apskūmus.

■ Apsukimų momento pasirinkimas (žr. pav. F)

Suktuvas turi sankabos reguliavimą rankenėlę (2), leidžianti nustatyti apskūmų momentą įsukant varžtus. Rankenėlės žiede pažymėtos 22 pozicijų, nuo 1 iki 21 bei gręžimo pozicija.

Kai parankama vieną iš pozicijų (nuo 1 iki 21), nustatomas atitinkamas sankabos apskūmų momentas. Leidžia tai išvengti pernelyg gilaus varžtų įsukimo, saugo varžtus nuo sugadinimo. Įvairiems varžtams ir įvairioms medžiagoms naudojami skirtingi apskūmų momentai.

Visada pradėkite su nedideliu apskūmų momento ir didinkite jį palaipsniui, kol pasieksite patenkinamą rezultatą.

Norėdami gręžti metale, medienoje ir sintetinėse medžiagose rankenėlę (2) nustatykite taip, kad žymeklis (15) atitiktų simboliui (16).

■ Eigos keitimas (žr. pav. A)

Eigos jungiklio (3) dėka galite pasirinkti 2 apskūmų greičius.

Eiga I: Naudokite varžtų užskūmii ir išskūmii.

Eiga II: Naudokitee gręžimii.

DĖMESIO: Eigos jungiklio (3) padėties negalima keisti darbo metu, nes gali gesti jo pavara. Eiga galima keisti tik po to, kai įrankis visiškai sustojo ir nebesuka.

Jeigu eigos keitiklio negalima pastumti iki galo, būtina pasukti varomąjį verpstą.

■ Patrono keitimas (žr. pav. G)

1. Atjunkite akumuliatorių (7) nuo gręžtuvo.
2. Maksimaliai atsukite patroną (1).
3. Suktuvu PH 2 (Philips Nr. 2) pagal laikrodžio rodyklės atsukite patrono montavimo varžtą (**DĖMESIO! Kairysis varžtas**). Įstrigusį varžtą galima atlaisvinti lengvais smūgiais į jo galvutę.
4. Atsukite suktuvo – gręžtuvo rankenėlę laikrodžio rodyklei priešinga kryptimi (žiūrint nuo rankenos pusės).

DĖMESIO: Jeigu užstrigo gręžimo patronas (1), atlaisvinkite jį montuojant trumpesnėje imbusinio rakto pusėje ir trenkite į ilgesnę imbusinio rakto pusę (žiūrėkite pav. D).

5. Patroną uždekte ant verpsto pagal laikrodžio rodyklės ir užsukite montavimo varžtą, naudokite suktuvą PH 2 (Philips Nr. 2); sukite jį prieš laikrodžio rodyklės.

PAPILDOMI ELEMENTAI:

- Praktiška sagtis-laikiklis (5) yra skirta gręžtuvui-suktuvui prikabinti prie vartotojo diržo, tinka tiek dešiniarankiams, tiek kairiarankiams.
- Suktuvas įrengtas gręžimo/sukimo vietos pagalbinio apšvietimu (10), kuris įjungiamas nuspaudus jungiklį (9).

■ Grąžto dėjimas ir ištraukimas

DĖMESIO: Atjunkite akumuliatorių nuo gręžtuvo ir nustatykite apskūmų krypties jungiklį (4) vidurinėje pozicijoje tam, kad neprileisti prie atsitiktinio prietaiso įjungimo, kas gali būti kūno sužalojimo priežastimi.

Kai jungiklis (9) atlaisvinamas, blokuojamas gręžtuvo velenas. Leidžia tai greitai ir patogiai pakeisti darbo įrankį gręžtuvo griebtuve. Norėdami išimti grąžtą (arba darbo įrankio antgalį) iš griebtuvo sukite griebtuvo žiedą į kairę (sukant į kairę didėja griebtuvo anga). Norėdami įdėti grąžtą (arba darbo įrankio antgalį) į griebtuvą sukite griebtuvo žiedą į dešinę (sukant į dešinę grąžtas užspaudžiamas griebtuve).

Grąžtą (arba kitą darbo antgalį) reikia įdėti į griebtuvą iki galo.

■ Skylių gręžimas

1. Jeigu anga turi būti gyli, gręžkite ją etapais. Iš karto išgręžkite tam tikrą gyliį ir išimkite grąžtą tam, kad išleičt drožlės ir vėl tęskite gręžimą.
2. Jeigu yra gręžiama didelio skersmens anga, rekomenduojama pradėti nuo mažesnio skersmens ir didinti jį. Tokiu būdu gręžtuvas nebus perkrautas.
3. Jeigu gręžimo metu grąžtas įstringa, nedelsiant išjunkite prietaisą. Po to naudodami apskūmų krypties keitimo funkciją išimkite grąžtą iš angos.
4. Gręžtuvą laikykite gręžiamos angos ašyje. Grąžtas turi būti laikomas stačiu kampu apdorojamos medžiagos atžvilgiu. Jeigu kampas nėra stačias, grąžtas gali užstrigti arba lūžti angoje bei sužaloti naudotoją. Verpsto rotacinio greičio reguliavimas atliekamas nuspaudžiant jungiklį tinkama jėga.

■ Varžtų įsukimas

Vietoje, kurioje turi būti įsuktas varžtas iš pradžių rekomenduojama išgręžti angą, kurios skersmuo yra mažesnis negu varžto, o ilgis truputi

didesis. Jeigu varžtas yra arti medžiagos krašto, angos gręžimas saugo nuo atplaišų susidarymo.

Jeigu yra sunku įsukti varžtą į pageidaujama gylį, tai išsukite varžtą ir pagilinkite angą.

Jeigu ir toliau yra sunku įsukti varžtą (gali būti kietos medienos atvejais), pabandykite panaudoti tepimo medžiagą (pav. skystą muilą). Būtina spausti suktyvą su tam tikrą jėgą tam, kad suktyvas nesisukty varžto galvutės atžvilgiu. Naudokite suktyvą antgalius tinkamos varžtų dydžiui. Jeigu varžto galvutės gedimas gali apsunkinti varžto įsukimą arba išsukimą.

LAIKYMAS IR PRIEŽIŪRA:

Prietaisas beveik nereikalauja specialios priežiūros. Gręžtuvą laikykite nepasiekiamoje vaikams, švarioje vietoje, saugokite nuo drėgmės bei dulkių. Laikymo sąlygos turi užtikrinti saugumą nuo mechaninių pažeidimų bei oro sąlygų poveikio.

DĖMESIO: Atliekant valymo bei remonto darbus visada atjunkite akumuliatorių nuo prietaiso ir išimkite įkrautuvo kištuką iš elektros lizdo.

Įkroviklį valykite tik sausais skudurėliu.

Reguliariai valykite ventiliacines angas, naudojant tam sausą šepetėlį arba žemo slėgio suslėgtą orą.

Prietaiso korpusą reguliariai valykite drėgnu skudurėliu su muilu. Draudžiama naudoti valymo priemonės arba tirpiklius, nes gali jie pažeisti prietaiso dalis pagamintas iš sintetinių medžiagų. Į prietaiso vidų negali patekti vanduo. Po valymo palaukite kol suktyvas bus visiškai sausas.

TRANSPORTAS:

Elektros prietaisą transportuokite ir laikykite specialiai tam skirtoje dėžėje, saugančioje nuo drėgmės, dulkių ir smulkių objektų įsiskverbimo, ypač saugokite ventiliacines angas. Smulkūs elementai, patenkantis į korpusą gali pažeisti variklį.

Jeigu akumuliatorius yra išimtas gabenimo arba laikymo periodui, patikrinkite, ar nebus akumuliatoriaus kontaktų sujungimo. Iš lagaminėlio, įrankių dėžės arba transportavimo konteinerio išimkite metalines dalis (varžtus, vinis, sagtis, išmėtytus antgalius, vielas arba metalo drožles) ar kitokiu būdu užtikrinkite, kad akumuliatorių tokių elementų nelies.

GAMINTOJAS:

TIPIŠKI GEDIMAI IR JŲ ŠALINIMAS:

PROBLEMA	SPĖJAMA PRIEŽASTIS	PROBLEMOS SPRENDIMAS
Gręžtuvas-suktyvas neveikia.	Elektros maitinimo stoka, gedo variklis arba paleidimo jungiklis.	Patikrinti baterijos būklę bei jeigu reikia, pakeisti ją. Jeigu elektros prietaisas toliau neveikia, nuvežkite jį į techninio aptarnavimo servisą (adresas nurodytas garantiniame lape).
Variklis blogai veikia.	Išsikrovę baterija.	Įkrauti bateriją.
	Anglies šepetėliai susidėvėję.	Pakeisti anglies šepetėlius serviso punkte.

PROFIX Sp. z o.o.

Marywilka 34,

03-228 Varšuva, Lenkija

Šis prietaisas atitinka šalies bei Europos reikalavimus bei visus saugos reikalavimus.

DĖMESIO! Atsiradus techninių problemų, kreipkitės į autorizuotą servisą. Prietaiso remontą gali atlikti tik kvalifikuotas personalas, naudojant tik originalias atsargines dalis.

PIKTOGRAMAI:

Paveikslėlių esančių prietaiso firmineje lentelėje ir informaciniuose lipdukuose paaiškinimas.



«Prieš įjungdami perskaitykite naudojimo instrukciją!»



«Akumuliatorius turi būti saugomas nuo aukštos temperatūros, pvz. nuo pastovaus saulės spindulių poveikio.»



«Nejmeskite akumuliatorių į ugnį.»



«Nejmeskite akumuliatorių į vandenį.»



«Skirtas naudoti tik patalpų viduje.»

APLINKOS APSAUGA:



DĖMESIO: Pateiktas simbolis reiškia, kad panaudotus prietaisus draudžiama išmesti kartu su kitomis atliekomis (už pažeidimą gresia pinigine bausmė). Panaudoti elektros prietaisai bei elektroninės dalis ir komponentai turi neigiamą poveikį aplinkai ir žmonių sveikatai.

Namų ūkis turėtų prisidėti prie panaudotos įrangos utilizavimo bei pakartotinio medžiagų panaudojimo (perdirbimo). Lenkijoje ir Europoje yra kuriama arba jau veikia panaudotos įrangos surinkimo sistema. Todėl visi paminėtos įrangos pardavimo taškai yra įpareigoti priimti panaudotą įrangą. Be to yra specialūs panaudotos įrangos priėmimo taškai.



PROFIX įmonė siekia tobulinti savo produktus, todėl gali keistis produktų specifikacijos. Apie šiuos pasikeitimus įmonė nėra įpareigota nepranešti. Paveikslėliai esantis aptarnavimo instrukcijoje tai tik pavyzdžiai bei gali skirtis nuo nusipirkto prietaiso.

Ši instrukcija yra apsaugojama autoriaus teise. Kopijavimas/plėtojimas be PROFIX Sp. z o.o. leidimo raštu draudžiamas.

DT-C2/d_zg/0321/03

Łomna Las: 2020.12.21

(EN) EC/EU DECLARATION OF CONFORMITY
(PL) DEKLARACJA ZGODNOŚCI WE/UE
(RO) DECLARAȚIE DE CONFORMITATE CE/UE

(LV) EK/ES ATBILSTĪBAS DEKLARĀCIJA
(LT) EB/ES ATITIKTIES DEKLARACIJA
(CS) ES/EU PROHLÁŠENÍ O SHODĚ

(HU) EK/EU-MEGFELELŐSÉGI NYILATKOZATA

(EN) MANUFACTURER (PL) PRODUCENT (RO) PRODUCĂTOR (LV) RAŽOTĀJS (LT) GAMINTOJAS (CS) VÝROBCE (HU) GYÁRTÓ

PROFIX Sp. z o.o. ul. Marywilska 34, 03-228 Warszawa

(EN) Person who was authorized to develop technical documentation:
(PL) Osoba upoważniona do przygotowania dokumentacji technicznej:
(RO) Persoana împuternicită pentru pregătirea documentației tehnice:
(LV) Persona atbildīga par tehnikās dokumentācijas sagatavošanu:

(LT) Asmuo įgaliojotas parengti techninę dokumentaciją:
(CS) Osoba oprávněná připravit technickou dokumentaci:
(HU) Műszaki dokumentáció elkészítésére meghatalmazott személy:

Mariusz Rotuski, Centrum Dystrybucyjno-Handlowe PROFIX, ul. Dobra 3, Łomna Las, 05-152 Czosnow

(EN) Cordless Drill/Screwdriver (PL) Wiertarko - wkrętarka akumulatorowa (RO) Mașină de găurit/înșurubat cu acumulator (LV) Akumulatora urbjmašina – skrūvgrīberis (LT) Akumulatorinis gręžtuvas-suktuvas (CS) Vrtací aku šroubovák (HU) Akkumulátoros fúró-csavarozó

TRYTON TJV10AL

JOZ-YFT51C-220V

20 V d.c.; n_c: 0-350/0-1300 /min; ø10

S2050 -...- S2413

(EN) The object of the declaration described above is in conformity with the relevant Union harmonisation legislation: (PL) Wymieniony powyżej przedmiot niniejszej deklaracji jest zgodny z odpowiednimi wymaganiami unijnego prawodawstwa harmonizacyjnego: (RO) Obiectul declarației descris mai sus este în conformitate cu legislația relevantă de armonizare a Uniunii: (LV) Lepriekš aprakstītais deklarācijas priekšmets atbilst attiecīgajam Savienības saskaņošanas tiesību aktam (LT) Pirmiau aprašytas deklaracijos objektas atitinka susijusių Sąjungos teisės aktus: (CS) Výše popsaný předmět prohlášení je ve shodě s příslušnými harmonizačními právními předpisy Unie: (HU) A fent ismertetett nyilatkozat tárgya megfelel a vonatkozó uniós harmonizációs jogszabálynak:

(EN) 2006/42/EC (OJ L 157, 9.6.2006, p. 24–86); 2014/30/EU (OJ L 96, 29.3.2014, p. 79–106); 2011/65/EU of the European Parliament and of the Council of 8 June 2011 on the restriction of the use of certain hazardous substances in electrical and electronic equipment (OJ L 174, 1.7.2011, p. 88–110), change 2015/863/UE;
(PL) 2006/42/WE (Dz.U. L 157 z 9.6.2006, str. 24–86); 2014/30/UE (Dz.U. L 96 z 29.3.2014, str. 79–106); 2011/65/UE z dnia 8 czerwca 2011 r. w sprawie ograniczenia stosowania niektórych niebezpiecznych substancji w sprzęcie elektrycznym i elektronicznym (Dz.U. L 174 z 1.7.2011, str. 88–110), zmiana 2015/863/UE;
(RO) 2006/42/CE (JO L 157, 9.6.2006, p. 24–86); 2014/30/UE (JO L 96, 29.3.2014, p. 79–106); 2011/65/UE a Parlamentului European și a Consiliului din 8 iunie 2011 privind restricțiile de utilizare a anumitor substanțe periculoase în echipamentele electrice și electronice (JO L 174, 1.7.2011, p. 88–110), schimbare 2015/863/UE;
(LV) 2006/42/EK (OV L 157, 9.6.2006, 24./86. lpp.); 2014/30/ES (OV L 96, 29.3.2014., 79./106. lpp.); 2011/65/ES (2011. gada 8. jūnijs) par dažu bīstamu vielu izmantošanas ierobežošanu elektriskās un elektroniskās iekārtās (OV L 174, 1.7.2011., 88./110. lpp.), maiņa 2015/863/UE;
(LT) 2006/42/EB (OL L 157, 2006.6.9, p. 24–86); 2014/30/ES (OL L 96, 2014.3.29, p. 79–106); 2011/65/ES 2011 m. birželio 8 d. dėl tam tikrų pavojingų medžiagų naudojimo elektros ir elektroninėje įrangoje apribojimo (OL L 174, 2011.7.1, p. 88–110), pokytis 2015/863/UE;
(CS) 2006/42/ES (Úř. věst. L 157, 9.6.2006, s. 24–86); 2014/30/EU (Úř. věst. L 96, 29.3.2014, s. 79–106); 2011/65/EU ze dne 8. června 2011 o omezení používání některých nebezpečných látek v elektrických a elektronických zařízeních (Úř. věst. L 174, 1.7.2011, s. 88–110), změna 2015/863/UE;
(HU) 2006/42/EK (HL L 157., 2006.6.9., 24–86. o.); 2014/30/EU (HL L 96., 2014.3.29., 79–106. o.); 2011/65/EK irányelve (2011. június 8.) egyes veszélyes anyagok elektromos és elektronikus berendezésekben való alkalmazásának korlátozásáról (HL L 174., 2011.7.1., 88–110. o.), változás 2015/863/UE;

(EN) and have been manufactured in accordance with the standards:
(PL) oraz został(y) wyprodukowany(e) zgodnie z normą(ami):
(RO) și au fost produse conform normelor:
(LV) un tika izgatavoti atbilstoši normām:

(LT) bei yra pagamintas pagal normas:
(CS) a byla(y) vyrobená(y) podle normy(tem):
(HU) és gyártása(uk) az alábbi szabvány(ok)nak megfelelően történt:

EN 62841-1:2015 EN 62841-2:1:2018

EN 55014-1:2017 EN 55014-2:2015

IEC 62321-1:2013 IEC 62321-2:2013 IEC 62321-3-1:2013 IEC 62321-5:2013 IEC 62321-4:2013+A1:2017 IEC 62321-7-2:2017 IEC 62321-7-1:2015 IEC 62321-6:2015

IEC 62321-8:2017

Mariusz Rotuski

Pénomocnik Zarządu ds. Certyfikacji

Representative of the Board for Certification

(EN) This declaration of conformity is issued under these responsibility of the manufacturer. (PL) Niniejsza deklaracja zgodności wydana zostaje na wyłączną odpowiedzialność producenta. (RO) Prezenta declarație de conformitate este emisă pe răspunderea exclusivă a producătorului. (LV) Šī atbilstības deklarācija ir izdota vienīgi uz šāda ražotāja atbildību. (LT) Ši atitikties deklaracija išduota tik gamintojo atsakomybe. (CS) Toto prohlášení o shodě vydal na vlastní odpovědnost výrobce. (HU) E megfelelőség nyilatkozat a gyártó kizárólagos felelősségére kerül kibocsátásra.

