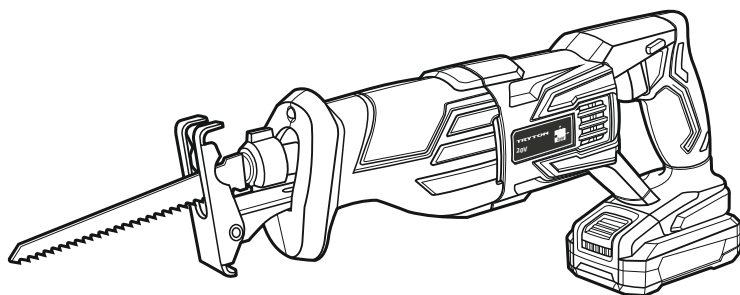


TRYTON

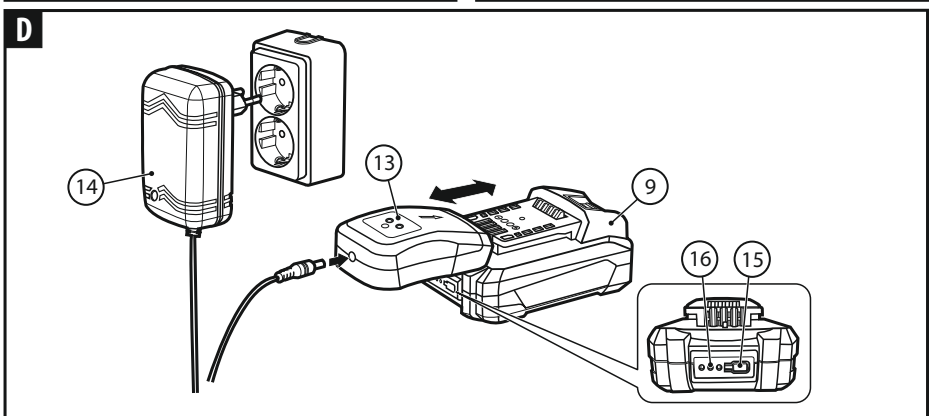
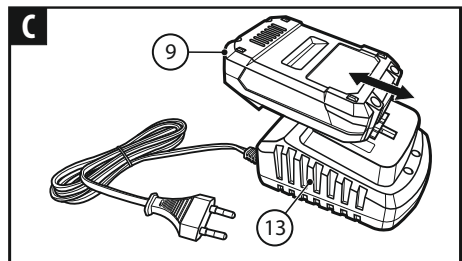
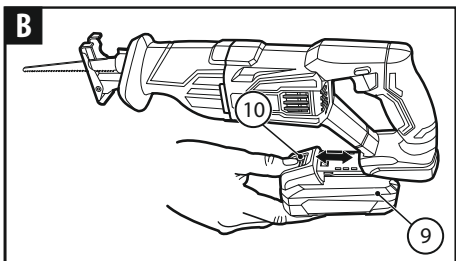
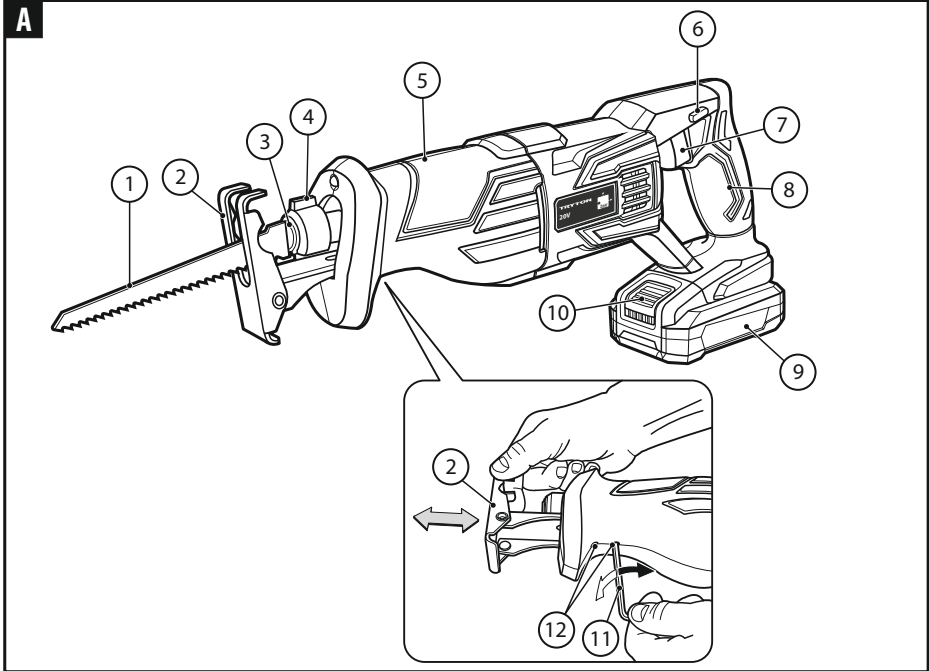
ELEKTRONARZĘDZIA

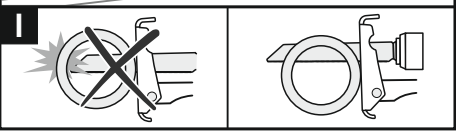
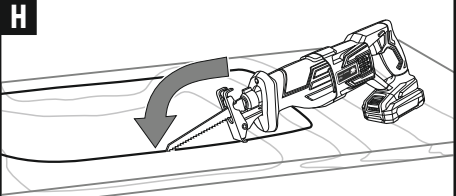
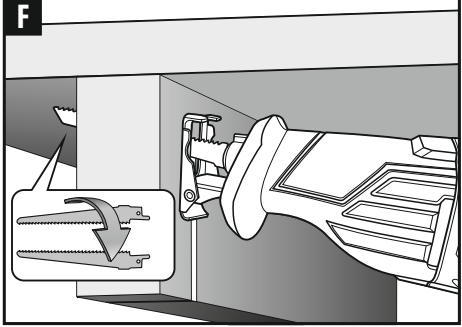
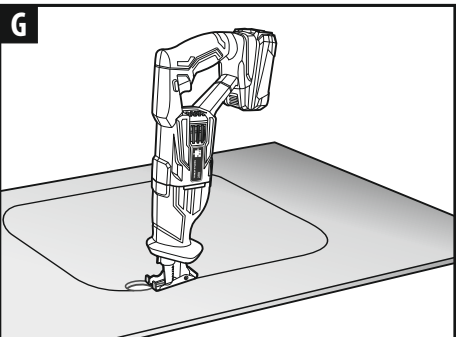
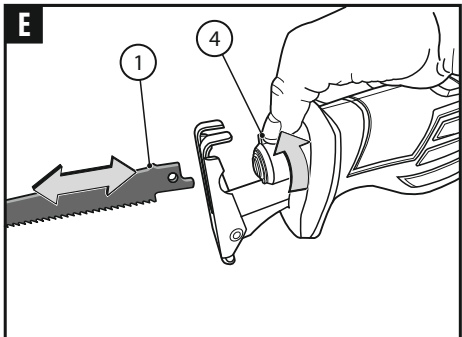
SYSTEM  20V



TJPS70

EN	Operating instruction	CORDLESS SABRE SAW.....	5
PL	Oryginalna instrukcja obsługi	AKUMULATOROWA PILARKA SZABLOWA	11
RU	Инструкция по эксплуатации	АККУМУЛЯТОРНАЯ САБЕЛЬНАЯ ПИЛА	17
RO	Instrucțiuni de folosire	FIERĂSTRĂU SABIE CU ACUMULATOR.....	24
LT	Naudojimo instrukcija	AKUMULIATORINIS TIESINIS PJŪKLAS.....	30
CS	Návod na obsluhu	AKUMULÁTOROVÁ MEČOVÁ PILA.....	36
LV	Lietošanas instrukcija	AKUMULATORU ZOBENŽĀĢIS.....	42
HU	Használati utasítások	AKKUMULÁTOROS SZABLYAFŰRÉS Z.....	48





SYSTEM 20V

TJV10AL



TJP60



TJ1LD



1 h

TJV10



TJPS70



TJ3LD



3-5 h

TJV20



TJD90



TJ15AK



1.5 Ah

TJS40



TJE100



TJ2AK



2.0 Ah

TJR50



TJB110



TJ4AK



4,0Ah

EN

System 20 V lets you power several power tools with a single battery.

Choose one of our tools, batteries, and chargers and expand your workshop with System 20V.

PL

System 20V pozwala zasilać kilka elektronarzędzi za pomocą jednego akumulatora.

Wybierz narzędzie, akumulator i ładowarkę z naszej oferty, a potem rozszerzaj swój zestaw narzędzi System 20V.

RU

“Система 20V” позволяет запитывать несколько электроинструментов с помощью одной батареи.

Выберите инструмент, аккумулятор и зарядное устройство из нашей oferty, а затем расширьте свой набор инструментов “Система 20V”.

RO

Sistemul 20 V permite alimentarea câtorva unelte electrice cu ajutorul unui singur acumulator.

Selectați unealta, acumulatorul și încărcătorul din oferta noastră, iar apoi lărgiți setul dumneavoastră de unelte System 20V.

LV

Sistēma 20V dod iespēju barot vairākus elektroinstrumentus ar vienu akumulatoru.

No mūsu piedāvājuma izvēlies instrumentu, akumulatoru un lādētāju, un pēc tam paplašini savu instrumentu komplektu ar Sistēmu 20V.

CS

Systém 20 V umožňuje napájet několik elektronářadí s použitím jednoho akumulátoru.

Zvolte si nářadí, akumulátor a nabíječku z naší nabídky a následně rozšiřujte soubor svého elektronářadí Systém 20V.

HU

A 20V rendszer több elektromos szerszám töltését is lehetővé teszi egy akkumulátorról.

Válassz ki a szerszámot, az akkumulátort és a töltőt az ajánlatunkból, majd bővítsd a 20V elektromos szerszámaidat.

LT

20V sistema gali maitinti kelis elektros įrankius, panaudojant vieną akumuliatorių.


Iš mūsų asortimento išsirinkite elektros įrankį, akumuliatorių ir įkroviklį, o po to praturtinkite savo rinkinį 20V sistema.

EN**OPERATING INSTRUCTION
CORDLESS SABRE SAW TJS70**

Original text translation

**BEFORE YOU START USING THE MACHINE READ THOROUGHLY THIS MANUAL.**

Keep this document for future reference.

**WARNING!** Read all safety warnings marked with a symbol  and all operating safety instructions.

To limit the risk of fire, electric shock and injury while using the device, follow all operating safety instructions and tips provided below.

Keep all work safety instructions and tips for future reference.*In warnings provided herein the expression "power tool" means a power tool powered from the mains (with a power cord) or a battery powered power tool (cordless).***WARNING!** General work safety warnings for use of the tool.**Workplace safety:**

- Keep your workplace tidy and well lit. Untidiness and bad lighting result in higher accident rate.
- Do not use the power tool in explosive environments, created by flammable liquids, gases or dusts. The power tool generates sparks that can ignite dust or vapors.
- Keep children and unauthorized persons away from the place where the power tools are used. Inattention may result in losing control over your power tool.

**WARNING!** General warnings regarding the use of power tools.**Electric safety:**

- Plugs used in power tools must match wall outlets. Never modify the plug of your power tool. Do not use any extension cables when operating a power tool with a grounding/earthing conductor (PE). Any modifications of plugs and outlets increase the risk of electric shock.
- Avoid touching earthed surfaces or grounded items like pipes, heaters, central heating radiators and refrigerators. Touching earthed or grounded surfaces increases the risk of electric shock.
- Do not expose your power tool to rain or damp environments. Water penetrating the tool increases the risk of electric shock.
- Do not damage the power cord. Never use the power cord to carry, pull the power tool and do not pull by its power cord to disconnect plug from the outlet. Keep the power cord away from sources of heat, oils, sharp edges and moving parts. Damaged or entangled power cords increase the risk of electric shock.
- When your power tool is operated outdoors use extension cords intended for outdoor use only. Using an extension cable intended for outdoor use decreases the risk of electric shock.
- It is recommended to connect the device to a mains supply equipped with a residual current device (RCD) with a rated current of 30 mA or less.
- When it is unavoidable to use your power tool in a damp environment use an RCD (Residual Current Device) for protection. The use of RCDs decreases the risk of electric shock.

**WARNING!** General warnings regarding the use of power tools.**Personal safety:**

- This equipment is not intended for use by persons (including children) disabled physically, mentally, sensorial or persons with no experience and knowledge in operating the equipment unless they operate the equipment under supervision or follow user's instructions provided by persons responsible for their safety.
- It is necessary to predict steps, watch and keep common sense when using power tools. Do not operate power tools when you are tired, under influence of drugs, medicine or alcohol. A moment of inattention while operating a power tool may result in serious personal injury.
- Use personal protective equipment (PPE). Always wear safety goggles. Wearing personal protective equipment (PPE) including a dust mask, anti-slippery footwear, a helmet and ear protection reduces personal injury.
- Avoid unexpected start up. Before connecting your power tool to the mains and/or inserting a battery make sure its power switch is in off position. Carrying your power tool with a finger on its power switch or without disconnecting it from the mains (switched on) may result in an accident.
- Before starting your power tool remove any keys/wrenches. Leaving a key/wrench in the rotating part of your power tool may result in personal injury.
- Do not lean forward too far. Always remain stable and maintain balance. It will allow you to have a better control over your power tool in unpredictable situations.
- Wear appropriate clothing. Do not wear loose clothes or jewelry. Keep your hair tied. Keep your clothes away from moving parts. Loose clothes, jewelry or long hair may be caught by moving parts.
- If your power tool allows for using an external dust extraction or collection system, make sure it is connected and used properly. Using dust collectors may reduce dust affected risks.
- Do not let your skills gained through the frequent use of the power tool make you overconfident and disregard safety rules. Carelessness may cause injury in a fraction of a second.

**WARNING!** General warnings regarding the use of power tools.**Use and taking care of your power tool:**

- Do not overload your power tool. Use a power tool with power adjusted to work being done. An appropriately chosen power tool will allow you to work better and safer under load it has been designed for.
- Do not use a power tool when its power switch is out of order (it does not switch it on or off). Any power tool with its power switch out of order is dangerous and must be repaired.
- Always disconnect the plug from the power source and/or disconnect its battery before changing any settings, performing replacement or storage. Such preventive measures reduce the risk of accidental power tool start up.
- Keep your power tool out of reach of children and do not allow unauthorized persons to use the power tool. Power tools in hands of untrained persons can be dangerous.
- Power tools require maintenance. Check power tools for concentricity or jamming of moving parts, any cracks and all

other factors affecting the power tool work safety. If any damage to the power tool is detected, it should be repaired before use. Improper power tool maintenance is a reason for many accidents.

- f) **Cutting tools should be sharp and clean.** Keeping sharp cutting edges in good condition reduces the risk of jamming and facilitates operation.
- g) **Power tools, equipment, working tools etc. should be used according to this user's manual taking into account operating conditions and the work to be done.** Misusing a power tool can result in dangerous situations.
- h) **At low temperatures and after a long brakes in operation it is recommended to turn the power tool to operate it with no load for a few minutes to provide proper grease distribution inside its driving mechanism.**
- i) **Use soft, damp (cannot be wet) cloth and soap to clean power tools. Do not use petrol, solvents and other agents that may damage your equipment.**
- j) **Power tools can be stored/carried after making sure that all moving components are locked and protected against release with original devices intended for this purpose.**
- k) **Store power tools in a dry, dust and water-protected place.**
- l) **Carry your power tool in its original packaging to provide protection against mechanical damage.**
- m) **Keep handles and grip surfaces clean and free from oil and grease. Secure grip and control over the tool in unexpected circumstances are impossible if handles and grips surfaces are slippery.**



WARNING! General warnings regarding the use of power tools.

Repair:

- a) **Warranty and post-warranty repairs of its power tools are carried out by PROFIX Service, which guarantees the best quality or repair and use of genuine spare parts.**



WARNING!

While operating power tools it is necessary to observe basic work safety rules to avoid fire, electric shock or mechanical injury.



WARNING! CORDLESS SABRE SAW , special guidelines for safe device use:

- a) **When performing work during which the tool might encounter hidden electric wires, hold the electric tool by the insulated handle surfaces.** Cutting accessory contacting a "live" wire may make exposed metal parts of the power tool "live" and could give the operator an electric shock.
- b) **Use appropriate detectors to determine if utility lines are hidden in the work area or call the local utility company for assistance.** Contact with electric lines can lead to fire and electric shock. Damaging a gas line can lead to explosion. Penetrating a water line causes property damage or may cause an electric shock.
- c) **Do not work materials containing asbestos. Asbestos is considered carcinogenic.**
- d) **Keep your workplace clean and tidy. Material mixtures are extremely dangerous. Light metal dusts can ignite or explode.**
- e) **Do not support the workpiece with your hand or foot. The**

workpiece should be held firmly in a clamping device or vise. Make sure all clamps are tightened and verify that there is no excessive play.

- f) **Always wear safety goggles and hearing protection. When necessary, use a protective mask to reduce the risk of inhaling harmful dust.**
- g) **Make sure that the working foot (2) is firmly in contact with the workpiece when cutting.** There is a risk of the blade being caught. A caught blade can break or cause kickback.
- h) **Use only undamaged blades. Bent or blunt blades can break or cause recoil.**
- i) **Start the power tool before the blade touches the material.** Otherwise, there is a danger of recoil when the tool gets seized in the workpiece.
- j) **Hold the power tool firmly in both hands and adapt a safe working posture.** It is safer to move the power tool in both hands.
- k) **Keep hands away from the cutting range. Do not put them under the workpiece.** There is a risk of injury when touching the blade.
- l) **After work finishes, turn off the power tool. The blade can be removed from the workpiece when it is stationary.** This way recoil is avoided and the power tool can be safely put away.
- m) **Do not decelerate the switched off saw blade using side pressure.** The saw blade may be damaged, break or cause kickback.
- n) **Disconnect the machine from the battery during a break in work, when replacing blades, refurbishing, cleaning or adjusting. Wait for the power tool to be stationary before putting away.**



WARNING! Safe use of rechargeable batteries and battery chargers -

Using the battery:

- a) **Use only the batteries that correspond to specifications required by the equipment manufacturer.** Use of unsuitable batteries may lead to cracks and destruction of the battery, personal injuries or fires.
- b) **WARNING! In case of damage or improper use of the battery, explosive gases might be released. The battery must be kept away from fire and proper ventilation is to be assured during charging.** It cannot be left for a longer period of time in a high temperature environment (areas with strong exposure to the sun, close to radiators or any other place with a temperature above 40 degrees).
- c) **The battery must be charged within the temperature range of 15 to 25°C.**
- d) **Batteries can be charged exclusively with use of a power adapter recommended by the manufacturer of the tool.** Application of any other power adapter may pose a risk of a fire.
- e) **Never expose the battery to the effect of water or moisture.**
- f) **When another battery is to be charged in sequence the time gap between charging operations must be not less than 30 minutes.**
- g) **In no case may you open the battery.**
- h) **Under unfavourable conditions electrolyte may leak from batteries, be careful to avoid contacts with the liquid. In case of accidental contacts with the liquid wash the affected locations with water. When liquid penetrates eyes, seek also**

for medical assistance. The liquid that leaks from batteries may be a reason for irritation or scalds.

- i) **When the battery unit is not in use keep it far away from metallic items such as paper clips, coins, keys, nails, bolts or other metal things that may short the battery terminals.** Shorts of battery terminals may cause burns or fires.
- j) **Never throw batteries to fireplaces.**
- k) **Never charge a damaged battery.**



The batteries are intended for multiple use and contain harmful lithium.

Upon the battery lifetime expires the battery must be disposed in accordance with environmental regulations. Discharge the battery first to the empty state and remove from the electric tool. Hand over to an organization that deals with utilization of batteries or take it back to the shop where the tool had been purchased.

Using the charger:

- a) **Use only dedicated power adapters to charge the battery.** Application of a power adapter dedicated to charge another type of the battery unit poses a risk of fires.
- b) **Do not disassemble the charger.**
- c) **The charger is designed exclusively for indoor use.** It must not be exposed to water or moisture.
- d) **Charge only in an ambient temperature between 15-25 degrees.**
- e) **Do not insert metal objects of any kind into the charger.**

CONSTRUCTION AND PURPOSE OF THE SABRESAW:

The sabre saw is a device powered by a 20V battery.

It is a device used for making cuts and patterns in wood and similar materials, plastics, metal, ceramic plates and rubber. It can be used for straight and curved cuts. The cutting process is performed using a suitable saw blade, appropriate to the material being processed.

The device is not suitable for long-term work in difficult Do never use the tool for applications that need use of professional equipment.

Any use of the saw in a manner contrary to the purpose given above is forbidden and will void the warranty and the manufacturer's liability for any resulting damage.

Any modifications of the tool by the user relieve the manufacturer from responsibility for any damage and injuries to the user and the surroundings.

Proper use of the saw also applies to maintenance, storage, transport and repairs.

The saw can be repaired only at service centres designated by the manufacturer. Battery-powered devices should be repaired only by authorised persons.

Proper use cannot guarantee that no residual risk will occur. Due to the design of the machine, the following risks may occur:

- Touching the blade while working in the unprotected area of the jigsaw;
- Burns when replacing the blade. (The blade gets very hot during operation, use protective gloves to avoid burns when replacing it);
- Throwing a machined part or pieces of a machined part,
- Blade cracking/breaking;
- Hearing damage in case of failure to use necessary hearing protection;

- Harmful emissions of wood dust when working in closed premises.

THE SET INCLUDES:

- Cordless sabre saw - 1 pc.
- Saw blade for wood - 1 pc.
- Hex key - 1 pc.
- Operating instruction - 1 pc.
- Warranty card - 1 pc.

DEVICE COMPONENTS:

The numbering of device elements refers to the drawing on pages 2-3 of the instruction manual:

1. Blade
2. Working foot
3. Blade clamp
4. Collar
5. Auxiliary handle
6. Safety button
7. On/off switch
8. Main handle
9. Battery*
10. Battery lock button*
11. Hex key
12. Foot mounting screws
13. Charger*
14. Adapter*
15. Battery level indicator button*
16. Battery level indicator*

***The accessories shown or described are not standard equipment. For the complete offer of auxiliary equipment, see our catalogue.**

TECHNICAL PARAMETERS:

MODEL		TJPS70
Supply voltage		20V d.c.
Stroke frequency without load		0-2800/min
Stroke length		22 mm
Cutting range	Wood	100 mm
	Steel	10 mm
Weight (with battery)		1,96 kg
Acoustic pressure level (LpA)		82,2 dB(A)
Acoustic power (LwA)		93,2 dB(A)
Tolerance of measurements $K_{\text{tpdr}}, K_{\text{twb}}$		3 dB(A)
Vibration as per EN 60745	cutting boards $a_{h,B}$	18,067 m/s^2
	cutting a wooden beam $a_{h,WB}$	16,844 m/s^2
Tolerance of measurements K		1,5 m/s^2
Recommended 20 V Li-ion batteries: TJ15AK (1,5Ah), TJ2AK (2Ah), TJ4AK (4Ah)		
Recommend chargers: TJ3LD (3-5h), TJ1LD (1h)		

The vibration level value given refers to basic application of the tool. If the tool is used for other applications or with other tools, or if it is not maintained properly, the vibration level may differ from the values given. The above-mentioned causes may lead to higher exposure to vibrations during the whole work time.

One must implement additional safety measures to protect the operators from exposure to vibrations, such as maintenance of the electric tool and work tools, assurance of proper hand temperature, or determination of the sequence of work operations.

The declared total vibrations and declared noise emissions were measured in accordance with a standard test method and may be used for tool comparison.

The declared total vibrations and noise emissions can be used in preliminary exposure assessment.

Warnings:

The vibrations and noise emissions during the actual use of the power tool may differ from the declared values depending on how the tool is used and on the type of the workpiece in particular.

Determine safeguards to protect the operator. They should be based on the estimated exposure under actual operational conditions (taking into account all parts of the operating cycle such as when the tool is switched off or idle except the start time).

BEFORE WORKING:

Prior to each use of the tool one has to check whether moving parts of the device are in operating conditions, not seized, cracked or damaged that may affect proper operation of the tool. Damaged tools must be handed over for repairs before they can be used again.

■ Charging the battery

NOTE! Battery and charger are not part of the delivery. Depending on your needs, you can purchase a 1.5 Ah battery **TJ15AK**, 2.0 Ah battery **TJ2AK** or 4.0Ah **TJ4AK** and a compatible charger **TJ3LD** (charging time 3–5 hours) or **TJ1LD** (charging time 1 hour).

You can check the battery level with the battery level indicator button (15). A single LED means the battery level is low, two LEDs mean medium level, and three LEDs mean full battery. Charge the battery fully before use.

Charger **TJ1LD**

The first charging procedure using **TJ1LD** should last at least 1 hour.

1. Press the battery lock button (10) and remove the battery (9) from the saw (see Fig. B).
2. Connect the battery (9) to the charger (13) (see Fig. C).
3. Connect the charger plug to a mains socket (220–240 V, 50 Hz).

Charger **TJ3LD**

The first charging procedure using **TJ3LD** should last at least 5 hours.

1. Press the battery lock button (10) and remove the battery (9) from the saw (see Fig. B).
2. Connect the battery (9) to the charger (13) (see Fig. D).
3. Connect the adapter plug to the charger.
4. Connect the adapter (14) to a mains socket (110–240 V, 50–60 Hz).

■ Battery charging indicator

A green LED light indicates that the charger is connected to a power source. After the battery is connected, the red LED is on to indicate charging. Blinking green battery LEDs also indicate that the battery is charging and show the current battery level.

When the battery is fully charged, the red LED goes off and the green LED is on.

After charging, disconnect the charger and remove the battery.

NOTE! The battery may get slightly hot when charging. This is not a

malfunction.

■ The lithium-ion battery can be charged at any moment, without detriment to its life. Interrupting the charging process does not entail a risk of damaging the battery cells.

PREPARATION FOR WORK:

Before cutting wood, particle boards, building materials, etc., check them for foreign objects, such as nails, screws etc., and then use a suitable blade.

■ Blade installation (see Fig. E)

The sabre saw can be used with any commercially available saw blades with a ½" universal shank.

Blades offered by manufacturers are most often available as sets and, depending on the purpose, may differ in the size and type of cutting teeth. The manufacturer usually provides information regarding the purpose of individual blades on the packaging of a set of blades or in the attached leaflet. The blades themselves can also be colour-coded, with different colours for different materials to be cut.

The saw blade should not be longer than required by the planned cut. Use narrow blades to cut curves with small radii.



CAUTION! Before installing the blade and performing any maintenance work, disconnect the battery from the device.

Wear protective gloves when installing the blade. There is a risk of injury when touching the blade.

- Rotate the mount collar (4) approx. 45° in the direction of the arrow and keep it in this position.
- Insert the selected saw blade (1) into the mount (3). Release the mount collar (4), which will automatically lock the saw blade.

CAUTION! Check whether the blade is well seated. A loose blade can fall out and hurt the user.

- Depending on the application, it is possible to mount a blade rotated by 180° (teeth up) (see Fig. F).

■ Removal of the saw blade

CAUTION! Disconnect the tool from its power source.

- To remove the blade, pull it out while turning the mount collar (4) in the direction of the arrow. Handle hot saw blades with care.

A broken saw blade can be removed in the manner shown below:

- Aim the tool down, turn the collar (4) and shake the tool up and down. The shank of the broken blade should fall out of the mount.

■ Working foot

The working foot (2) can be adapted to the saw blade used and the type of processing, by moving it in a seamless manner to the appropriate length (see Fig. A).

CAUTION! Disconnect the tool from its power source.

- Loosen the foot mounting bolts (12) using the provided hex key (11) (the key is in the storage compartment on the right side of the main mount) and set the foot (2) in the desired position.
- Re-tighten the screws (12) and check that the foot (2) is properly fastened.

OPERATION:

■ Turning on/off

To turn on the power tool, first press the safety button (6) on the left or right side of the handle (8) and then press the switch (7).

To switch off the power tool, release the switch (7).

■ Adjusting the movement speed

Increasing or reducing the pressure on the switch (7) allows infinite strokespeed adjustment.

Slight pressure on the switch (7) results in a low movement speed. An increase in pressure increases the movement speed.

The necessary number of strokes depends on the material and working conditions, and can be verified in a practical test.

A decrease in this number is recommended when placing the saw blade on the workpiece, as well as when cutting plastic and aluminium.

TIPS FOR WORKING:

CAUTION! When sawing light construction materials, follow the legal provisions and recommendations of the material manufacturer.

Make sure that the saw blade is always longer than the cross-section of the workpiece. There is a risk of recoil (see Fig. I).

If the saw blade gets blocked in the workpiece, switch off the power tool immediately.

Slightly open the cut with a suitable tool and pull out the saw blade.

■ Cutting (see Fig. G)

Use a drill to make a 20 mm hole in the cut area. Insert the saw blade into the opening and start cutting.

■ Plunge cutting (see Fig. H)



NOTE: The plunge cutting process can be used only on soft materials, such as wood, plasterboards or similar! Use only short blades for plunge cutting.

Place the power tool with the front of the foot (2) on the workpiece and switch it on. For power tools with stroke control, select the maximum number of movements.

Press the power tool firmly against the workpiece and slowly introduce the blade into the workpiece. The moment the foot (2) contacts the workpiece with its entire surface, continue to cut along the desired line.

■ Basic principles of proper saw use

- Cut the material applying moderate pressure, without excessive load on the saw;
- Excessive pressure on the saw can cause the reciprocating motion to be slowed down or interrupted, which slows down or stops the cutting process;
- During cutting the saw foot should touch the workpiece along its entire surface;
- Start cutting a shape in hard materials by pre-drilling of a hole that allows the blade to be inserted. Otherwise, there is the risk of recoil and the blade breaking;
- When cutting lines that form a sharp angle or connected with a small radius arc, preferably use narrow blades;
- Due to the material heating up, it is necessary to apply cooling and lubricating agents along the cutting line when cutting metals.

STORAGE AND MAINTENANCE:

The tool must be stored in a place that is not accessible to children and must be kept clean and protected from moisture and dust. The storage conditions should prevent potential mechanical damage and impact of the weather conditions. Never store batteries in the sun, near radiators or behind windows.

CAUTION: Before performing any cleaning and maintenance work, disconnect the battery from the device and remove the charger plug from

the mains socket.

Regularly check the condition of the screws securing the saw housing. Tighten if necessary.

After work, it is recommended to blow over the ventilation holes and the blade mount with compressed air. This will prevent damage to bearings, remove dust blocking the supply of engine cooling air.

Clean the housing with a clean, damp cloth and a small amount of soap, then wipe dry.

Do not use any cleaning agents or solvents; they can damage parts of the device made of plastic.

Make sure that no water penetrates inside the device.

The charger may be cleaned exclusively with use of a dry cloth.

TRANSPORT:

Transport and store the sabre saw in a package that protects it against moisture, dust and small objects, in particular secure ventilation openings. Drobne elementy, które dostaną się wewnątrz obudowy mogą uszkodzić silnik.

If the battery is removed for transport or storage, make sure the contacts will not short circuit. Remove metal items such as screws, nails, clasps, loose bits, wires, or metal filings from the case or transport container or otherwise prevent them from touching the battery.

MANUFACTURER:

PROFIX Co.Ltd.,
34 Marywilska Street,
03-228 Warsaw, POLAND.

This appliance is in conformity with national and European standards as well as with general safety guidelines.

NOTE: In case of technical issues, contact an authorised technical service. Any repairs are allowed to be carried out exclusively by qualified staff with use of original spare parts.

PICTOGRAMS:

Explanation of the icons located on the nominal plate and the information tags:



«Read this instruction before switching on the power supply and starting the work.»



«Protect the battery against heat, e. g., against continuous intense sunlight.»



«Never dispose of batteries in fire.»



«Never dispose of batteries in water.»



«For indoor use only.»

PROTECTION OF THE ENVIRONMENT:



NOTE: The symbol nearby denotes that old equipment must never be thrown away together with other waste (with the penalty of a fine). Hazardous components of electronic equipment may adversely affect the natural environment and human health.

Each household may contribute to the recovery and reuse (recycling) of old machinery and equipment. Both in Poland and Europe a system for recovery of used equipment either exists or is being created. The system obliges all organizations that sell such equipment to collect the used machinery and appliances. Moreover, general purpose collecting points for such equipment are available.

TROUBLESHOOTING GUIDE:

PROBLEM	POSSIBLE CAUSE	REMEDY
The saw does not work.	No power voltage, damaged motor or the power trigger.	Check the battery status, recharge or replace with a new one when necessary. When the problem persists hand over the tool for repair at a service workshop. Please refer to the warranty sheet for addresses of authorized workshops.
Irregularities of the motor operation.	Battery low.	Recharge the battery.
	Worn carbon brushes of the motor.	Have the brushes replaced at a service workshop.



The policy of the PROFIX company consists in permanent improvements of the offered products and therefore the company reserves the right to make amendments to the product specification without a prior notice. The images included into the operation manual are only of the exemplary nature and may slightly differ from actual appearance of the device purchased.


This instruction manual is protected by copyright. Copying it without the written consent of PROFIX Co. Ltd. is prohibited.



PRZED PRZYSTĄPIENIEM DO UŻYTKOWANIA NALEŻY ZAPOZNAĆ SIĘ Z NINIEJSZĄ INSTRUKCJĄ.

Zachowaj instrukcję do ewentualnego przyszłego wykorzystania.



OSTRZEŻENIE! Należy przeczytać wszystkie ostrzeżenia dotyczące bezpieczeństwa użytkowania oznaczone symbolem  i wszystkie wskazówki dotyczące bezpieczeństwa użytkowania.

Nieprzestrzeganie podanych niżej ostrzeżeń dotyczących bezpieczeństwa i wskazówek dotyczących bezpieczeństwa może być przyczyną porażenia prądem elektrycznym, pożaru i/lub poważnych obrażeń.

Zachowaj wszystkie ostrzeżenia i wskazówki dotyczące bezpieczeństwa, aby móc skorzystać z nich w przyszłości.

W podanych niżej ostrzeżeniach wyrażenie „elektronarzędzie” oznacza elektronarzędzie zasilane z sieci (z przewodem zasilającym) lub elektronarzędzie zasilane z akumulatora (bezprowodowe).



OSTRZEŻENIE! Ogólne ostrzeżenia dotyczące bezpieczeństwa użytkowania narzędzia.

Bezpieczeństwo w miejscu pracy:

- W miejscu pracy należy utrzymywać porządek i dobre oświetlenie. *Nieporządek i złe oświetlenie przyczynia się do wypadków.*
- Nie należy używać elektronarzędzia w środowiskach wybuchowych, tworzonych przez łatwo palne ciecze, gazy lub pyły. *Elektronarzędzie wytwarza iskry, które mogą zapalić pył lub opary.*
- Nie należy dopuszczać dzieci i obserwatorów do miejsc, w których używa się elektronarzędzi. *Rozproszenie uwagi może spowodować utratę kontroli nad elektronarzędziem.*



OSTRZEŻENIE! Ogólne ostrzeżenia dotyczące bezpieczeństwa użytkowania narzędzia.

Bezpieczeństwo elektryczne:

- Wtyczki elektronarzędzi muszą pasować do gniazdek. Nigdy w żaden sposób nie należy przerabiać wtyczki. Nie należy używać żadnych przedłużaczy w przypadku elektronarzędzi mających przewód z żyłą uziemienia ochronnego. Brak przeróbek we wtyczkach i gniazdkach wtyczkowych zmniejsza ryzyko porażenia prądem elektrycznym.
- Należy unikać dotykania powierzchni uziemionych lub zwartych z masą, takich jak rury, ogrzewacze, grzejniki centralnego ogrzewania i chłodziarki. *W przypadku dotknięcia części uziemionych lub zwartych z masą, wzrasta ryzyko porażenia prądem elektrycznym.*
- Nie należy narażać elektronarzędzi na działanie deszczu lub warunków wilgotnych. *W przypadku przedostania się do elektronarzędzia wody, wzrasta ryzyko porażenia prądem elektrycznym.*
- Nie należy nadwierać przewodów przyłączeniowych. Nigdy nie należy używać przewodu przyłączeniowego do przenoszenia, ciągnięcia elektronarzędzia lub wyciągania wtyczki z gniazdka. Należy trzymać przewód przyłączeniowy z daleka od źródeł ciepła, olejów, ostrych krawędzi lub ruchomych części. *Uszkodzone lub zaplątane przewody przyłączeniowe zwiększają ryzyko porażenia prądem elektrycznym.*
- W przypadku, gdy elektronarzędzie używa się na wolnym powietrzu, przewody przyłączeniowe należy przedłużyć

przedłużaczami przeznaczonymi do pracy na wolnym powietrzu. *Używanie przedłużacza przeznaczonego do pracy na wolnym powietrzu zmniejsza ryzyko porażenia prądem elektrycznym.*

- Zaleca się podłączenie urządzenia do sieci elektrycznej wyposażonej w wyłącznik różnicowo-prądowy (RCD) o prądzie wyłączenia 30mA lub mniejszym.
- W przypadku, gdy używanie elektronarzędzia w środowisku wilgotnym jest nieuniknione, jako ochronę przed napięciem zasilania należy stosować urządzenie różnicowoprądowe (RCD). *Zastosowanie RCD zmniejsza ryzyko porażenia prądem elektrycznym.*



OSTRZEŻENIE! Ogólne ostrzeżenia dotyczące bezpieczeństwa użytkowania narzędzia.

Bezpieczeństwo osobiste:

- Niniejszy sprzęt nie jest przeznaczony do użytkowania przez osoby (w tym dzieci) o ograniczonej zdolności fizycznej, czuciowej lub psychicznej, lub osoby nie mające doświadczenia lub znajomości sprzętu, chyba że odbywa się to pod nadzorem lub zgodnie z instrukcją użytkowania sprzętu, przekazanej przez osoby odpowiadające za ich bezpieczeństwo.
- Należy być przewidującym, obserwować co się robi i zachowywać rozsądek podczas używania elektronarzędzia. Nie należy używać elektronarzędzia, gdy jest się zmęczonym lub pod wpływem narkotyków, alkoholu lub leków. *Chwila nieuwagi podczas pracy elektronarzędziem może spowodować poważne osobiste obrażenia.*
- Należy stosować wyposażenie ochronne. Należy zawsze zakładać okulary ochronne. *Używanie w odpowiednich warunkach wyposażenia ochronnego, takiego jak maska przeciwpyłowa, obuwie antypoślizgowe, kask lub ochronniki słuchu, zmniejszy osobiste obrażenia.*
- Należy unikać niezamierzonego rozruchu. Przed przyłączeniem do źródła zasilania i/lub przed podłączeniem akumulatora oraz zanim podniesie się lub przeniesie się narzędzie należy upewnić się, że wyłącznik elektronarzędzia jest w pozycji wyłączony. *Przenoszenie elektronarzędzia z palcem na wyłączniku lub przyłączenie elektronarzędzia do sieci zasilającej przy załączonym wyłączniku może być przyczyną wypadku.*
- Przed uruchomieniem elektronarzędzia należy usunąć wszystkie klucze. *Pozostawienie klucza w obracającej się części elektronarzędzia może spowodować osobiste obrażenia.*
- Nie należy wychylać się za daleko. Należy cały czas stać pewnie i zachować równowagę. *Umożliwi to lepszą kontrolę nad elektronarzędziem w sytuacjach nieprzewidywalnych.*
- Należy odpowiednio się ubierać. Nie należy nosić luźnego ubrania ani biżuterii. Należy utrzymywać swoje włosy, ubranie i rękawiczki z dala od części ruchomych. *Luźne ubranie, biżuteria lub długie włosy mogą zostać zacepione przez części ruchome.*
- Jeżeli urządzenia są przystosowane do przyłączenia zewnętrznego odciążu pyłu i pochłaniacza pyłu, należy upewnić się, że są one przyłączone i prawidłowo użyte. *Użycie pochłaniacza pyłu może zredukować zagrożenia zależne od zapylenia.*
- Nie pozwól, aby umiejętności uzyskane dzięki częstemu korzystaniu z elektronarzędzia pozwoliły Ci poczuć się pewnym siebie i zignorować zasady bezpieczeństwa. *Nieostrożne działanie*

może spowodować poważne obrażenia w ułamku sekundy.



OSTRZEŻENIE! Ogólne ostrzeżenia dotyczące bezpieczeństwa użytkowania narzędzia.

Użytkowanie i troska o elektronarzędzie:

- a) Nie należy elektronarzędzia przeciążać. Należy stosować elektronarzędzie o mocy odpowiedniej do wykonywanej pracy. Właściwe elektronarzędzie umożliwi pracę lepszą i bezpieczniejszą przy obciążeniu, na jakie zostało zaprojektowane.
- b) Nie należy używać elektronarzędzia, jeżeli łącznik go nie załącza i nie wyłącza. Każde elektronarzędzie, którego nie można załączać lub wyłączać łącznikiem, jest niebezpieczne i musi zostać naprawione.
- c) Należy odłączać wtyczkę ze źródła zasilania elektronarzędzia i/lub odłączyć akumulator przed wykonaniem każdej nastawy, wymiany części lub magazynowaniem. Takie zapobiegawcze środki bezpieczeństwa redukują ryzyko przypadkowego rozruchu elektronarzędzia.
- d) Nieużywane elektronarzędzie należy przechowywać poza zasięgiem dzieci i nie należy pozwalać osobom niezaznajomionym z elektronarzędziem lub niniejszą instrukcją na używanie elektronarzędzia. Elektronarzędzia są niebezpieczne w rękach nieprzeszkolonych użytkowników.
- e) Elektronarzędzia należy konserwować. Należy sprawdzać współosiowość lub zakleszczenie się części ruchomych, pęknięcia części i wszystkie inne czynniki, które mogą mieć wpływ na pracę elektronarzędzia. Jeżeli stwierdzi się uszkodzenia, należy elektronarzędzie przed użyciem naprawić. Przyczyną wielu wypadków jest niefachowy sposób konserwacji elektronarzędzia.
- f) Narzędzia tnące powinny być ostre i czyste. Odpowiednie utrzymywanie ostrych krawędzi narzędzi tnących zmniejsza prawdopodobieństwo zakleszczenia i ułatwia obsługę.
- g) Elektronarzędzie, wyposażenie, narzędzia robocze itp. należy stosować zgodnie z niniejszą instrukcją, biorąc pod uwagę warunki pracy i rodzaj pracy do wykonania. Używanie elektronarzędzia w sposób, do jakiego nie jest przewidziane, może spowodować niebezpieczne sytuacje.
- h) W niskich temperaturach, lub po dłuższym okresie nie użytkowania, zalecane jest włączenie elektronarzędzia bez obciążenia na okres kilku minut w celu właściwego rozprowadzenia smaru w mechanizmie napędu.
- i) Do czyszczenia elektronarzędzi stosować miękką, wilgotną (nie mokra) szmatkę i mydło. Nie stosować benzyny, rozpuszczalników i innych środków mogących uszkodzić urządzenie.
- j) Elektronarzędzie należy przechowywać/ transportować po upewnieniu się, że wszystkie jego elementy ruchome są zablokowane i zabezpieczone przed odblokowaniem za pomocą oryginalnych elementów do tego przeznaczonych.
- k) Elektronarzędzie należy przechowywać w miejscu suchym, zabezpieczone przed kurzem i wnikaniem wilgoci.
- l) Transportowanie elektronarzędzia powinno odbywać się w opakowaniu oryginalnym, zabezpieczającym przed uszkodzeniami mechanicznymi.

- m) Uchwyty i powierzchnie chwytne należy utrzymywać czyste i wolne od oleju i smaru. Śliskie uchwyty i powierzchnie chwytne pozwalają na bezpieczne trzymanie i kontrolę narzędzia w nieoczekiwanych sytuacjach.



OSTRZEŻENIE! Ogólne ostrzeżenia dotyczące bezpieczeństwa użytkowania narzędzia.

Naprawa:

- a) Naprawy gwarancyjne i pogwarancyjne swoich elektronarzędzi wykonuje Serwis PROFIX, co gwarantuje najwyższą jakość napraw oraz stosowanie oryginalnych części zamiennych.



OSTRZEŻENIE!

Podczas pracy narzędziem elektrycznym zaleca się zawsze przestrzegać podstawowych zasad bezpieczeństwa pracy, w celu uniknięcia wybuchu pożaru, porażenia prądem elektrycznym lub obrażenia mechanicznego.



OSTRZEŻENIE! AKUMULATOROWA PILARKA SZABLOWA, szczególnie wskazówki dotyczące bezpiecznego użytkowania urządzenia:

- a) Podczas wykonywania prac, przy których narzędzie robocze mogłoby natrafić na ukryte przewody elektryczne, elektronarzędzie należy trzymać za izolowane powierzchnie rękojeści. Kontakt z przewodem sieci zasilającej może spowodować przekazanie napięcia na części metalowe elektronarzędzia, co mogłoby spowodować porażenie prądem elektrycznym.
- b) Należy używać odpowiednich przyrządów poszukiwawczych w celu lokalizacji ukrytych przewodów zasilających, lub poprosić o pomoc administrację obiektu. Kontakt z przewodami znajdującymi się pod napięciem może doprowadzić do powstania pożaru i porażenia elektrycznego. Uszkodzenie przewodu gazowego może doprowadzić do wybuchu. Wniknięcie do przewodu wodociągowego powoduje szkody rzeczowe lub może spowodować porażenie elektryczne.
- c) Nie należy obrabiać materiału zawierającego azbest. Azbest powoduje chorobę nowotworową.
- d) Miejsce pracy należy utrzymywać w czystości. Mieszanki materiałów są szczególnie niebezpieczne. Pył z metalu lekkiego może się zapalić lub wybuchnąć.
- e) Nie wolno podtrzymywać obrabianego przedmiotu ręką lub stopą. Element do obróbki należy dobrze umocować w urządzeniu mocującym lub imadle. Upewnić się, czy wszystkie zaciski mocujące są ściśnięte i zweryfikować, aby nie było przesadnego luzu.
- f) Należy zawsze zakładać okulary ochronne i ochronniki słuchu. Stosuj, kiedy jest to konieczne, maskę ochronną w celu zmniejszenia zagrożenia wdychania szkodliwego pyłu.
- g) Należy uważać, by stopa robocza (2) podczas cięcia ściśle przylegała do obrabianego przedmiotu. Istnieje niebezpieczeństwo uwięźnięcia brzeszczotu. Zablockowany brzeszczot może się złamać lub doprowadzić do odrzutu.
- h) Należy używać jedynie nie uszkodzonych brzeszczotów bez zarzutu. Skrzywione lub tępe brzeszczoty mogą się złamać lub

spowodować się zwrótną.

- i) **Elektronarzędzie uruchomić przed zetknięciem brzeszczotu z materiałem.** W przeciwnym wypadku istnieje niebezpieczeństwo odrzutu, gdy użyte narzędzie zablokuje się w obrabianym przedmiocie.
- j) **Elektronarzędzie należy trzymać podczas pracy mocno w obydwu rękach i zapewnić bezpieczną pozycję pracy.** Elektronarzędzie prowadzone jest bezpiecznie w obydwu rękach.
- k) **Należy trzymać ręce z daleka od zakresu cięcia.** Nie wsuwać ich pod obrabiany przedmiot. Przy kontakcie z brzeszczotem istnieje niebezpieczeństwo zranienia się.
- l) **Po zakończeniu pracy należy wyłączyć elektronarzędzie.** Brzeszczot można wyprowadzić z obrabianego materiału wtedy, gdy znajduje się on w bezruchu. W ten sposób uniknie się odrzutu i można odłożyć bezpiecznie elektronarzędzie.
- m) **Nie należy hamować brzeszczotu po wyłączeniu bocznym naciskiem.** Brzeszczot może zostać uszkodzony, złamać się lub spowodować odrzut.
- n) **Należy odłączyć maszynę od akumulatora podczas przerwy w pracy, podczas wymiany brzeszczotów, remontu, czyszczenia lub regulacji.** Przed odłożeniem elektronarzędzia, należy poczekać, aż znajdzie się ono w bezruchu.



OSTRZEŻENIE! Bezpieczne użytkowanie akumulatorów i ładowarek –

Użytkowanie akumulatorów:

- a) **Należy używać tylko akumulatorów zgodnych ze specyfikacją podaną przez producenta.** W przypadku użycia innych akumulatorów może wystąpić pęknięcie i rozpadnięcie się akumulatora, uszkodzenie ciała lub pożar.
- b) **UWAGA: W przypadku uszkodzenia i niewłaściwego użytkowania akumulatora może dojść do wydzielania się gazów wybuchowych.** Akumulator należy zawsze utrzymywać z dala od źródła ognia oraz zapewnić odpowiednią wentylację podczas ładowania. Nie wolno pozostawić go na dłuższy czas w środowisku, w którym panuje wysoka temperatura (w miejscach nasłonecznionych, w pobliżu grzejników lub gdziekolwiek tam, gdzie temperatura przekracza 40 stopni).
- c) **Ładowanie akumulatora powinno odbywać się w zakresie temperatur 15-25 °C.**
- d) **Ładować należy wyłącznie ładowarką zalecaną przez wytwórcę.** Użycie ładowarki przeznaczonej do ładowania innego typu baterii akumulatorów stwarza ryzyko powstania pożaru.
- e) **Nie wystawiać akumulatora na działanie wody i wilgoci.**
- f) **Jeśli zamierza się ładować kolejno więcej niż jeden akumulator, należy zrobić przerwę 30 minutową pomiędzy ładowaniami.**
- g) **W żadnym wypadku nie należy otwierać akumulatora.**
- h) **W niekorzystnych warunkach z akumulatora może wydostać się ciecz; należy unikać kontaktu z cieczą. Jeżeli przypadkowo nastąpi zetknięcie użytkownika z cieczą, miejsce zetknięcia należy przemyć wodą. Jeżeli ciecz trafi do oczu, dodatkowo należy szukać pomocy medycznej.**
Wydostająca się z akumulatora ciecz może spowodować podrażnienia lub oparzenia.
- i) **W czasie, gdy bateria akumulatorów nie jest używana, należy ją przechowywać z dala od metalowych przedmiotów takich,**

jak spinacze do papieru, monety, klucze, gwoździe, śruby, lub inne małe elementy metalowe, które mogą zewrzeć zaciski akumulatorów. Zwarcie zacisków akumulatora może spowodować oparzenia lub pożar.

- j) **Nie wrzucać akumulatorów do ognia.**
- k) **Nie wolno ładować uszkodzonego akumulatora.**



Akumulatory są przeznaczone do wielokrotnego ładowania, zawierają szkodliwy dla środowiska lit.

Po zakończeniu okresu żywotności należy je zutylizować zgodnie z przepisami o ochronie środowiska naturalnego.

W tym celu całkowicie wyczerpać akumulator; wyjąć z elektronarzędzia, zdać do punktu utylizacji akumulatorów lub zdać do sklepu, w którym dokonano zakupu.

Użytkowanie ładowarki:

- a) **Ładować należy wyłącznie ładowarką zalecaną przez wytwórcę.** Użycie ładowarki przeznaczonej do ładowania innego typu baterii akumulatorów stwarza ryzyko powstania pożaru.
- b) **Nie wolno rozkręcać ładowarki.**
- c) **Ładowarka jest przeznaczona wyłącznie do pracy wewnątrz pomieszczeń.** Nie wolno jej narażać na działanie wody i wilgoci.
- d) **Ładować tylko w zakresie temperatur 15-25 stopni.**
- e) **Nie wolno wkładać jakichkolwiek przedmiotów metalowych do ładowarki.**

BUDOWA I PRZEZNACZENIE PILARKI SZABLOWEJ:

Pilarka szablowa jest urządzeniem zasilanym 20V akumulatorem.

Urządzenie służy do wykonywania cięć i wykrojów w drewnie i materiałach pochodnych, tworzywach sztucznych, metalu, płytach ceramicznych i gumie. Jest ono przystosowane do wykonywania cięć prostych i krzywoliniowych. Proces cięcia jest realizowany za pomocą odpowiedniego brzeszczotu, dostosowanego do obrabianego materiału.

Urządzenie nie nadaje się do długotrwałych robót w ciężkich warunkach. Nie wolno wykorzystywać narzędzia do wykonywania prac wymagających zastosowania profesjonalnego urządzenia.

Każde użycie pilarki niezgodne z przeznaczeniem podanym wyżej jest zabronione i powoduje utratę gwarancji oraz brak odpowiedzialności producenta za powstałe w wyniku tego szkody.

Jakiegokolwiek modyfikacje urządzenia dokonane przez użytkownika zwalniają producenta z odpowiedzialności za uszkodzenia i szkody wyrządzone użytkownikowi i otoczeniu.

Poprawne użytkowanie pilarki dotyczy także konserwacji, składowania, transportu i napraw.

Pilarka może być naprawiana wyłącznie w punktach serwisowych wyznaczonych przez producenta. Urządzenia akumulatorowe powinny być naprawiane tylko przez osoby uprawnione.

Pomimo zgodnego z przeznaczeniem stosowania nie można całkowicie wyeliminować określonych czynników ryzyka resztkowego. Ze względu na konstrukcję i budowę maszyny mogą wystąpić następujące niebezpieczeństwa:

- Dotknięcie brzeszczotu w trakcie pracy w nieosłoniętym obrębie pilarki;
- Oparzenie przy wymianie brzeszczotu. (Podczas pracy brzeszczot bardzo się rozgrzewa, żeby uniknąć oparzenia przy jego wymianie należy stosować rękawice ochronne);
- Odrzucenie przedmiotu obrabianego lub części przedmiotu

- obrabanego;
- Pęknięcie/złamanie brzeszczotu;
- Uszkodzenia słuchu w wypadku niestosowania koniecznej ochrony słuchu;
- Szkodliwe dla zdrowia emisje pyłów drzewnych w przypadku wykonywania prac w zamkniętych pomieszczeniach.

KOMPLETACJA:

- Akumulatorowa pilarka szablowa - 1 szt.
- Brzeszczot do drewna - 1 szt.
- Klucz imbusowy - 1 szt.
- Instrukcja obsługi - 1 szt.
- Karta gwarancyjna - 1 szt.

ELEMENTY URZĄDZENIA:

Numeracja elementów urządzenia odnosi się do przedstawienia graficznego umieszczonego na stronach 2-3 instrukcji obsługi:

1. Brzeszczot
2. Stopa robocza
3. Uchwyt do brzeszczotów
4. Kolnierz
5. Uchwyt pomocniczy
6. Przycisk bezpieczeństwa
7. Włącznik
8. Uchwyt główny
9. Akumulator*
10. Przycisk blokady akumulatora*
11. Klucz imbusowy
12. Śruby mocowania stopy
13. Ładowarka*
14. Adapter*
15. Przycisk wskaźnika poziomu naładowania baterii*
16. Wskaźnik poziomu naładowania baterii*

* Opisany lub przedstawiony osprzęt nie należy do wyposażenia standardowego. Kompletny asortyment wyposażenia dodatkowego można znaleźć w naszym katalogu.

DANE TECHNICZNE:

MODEL		TJPS70
Napięcie zasilania		20 V d.c.
Częstotliwość skoków bez obciążenia		0-2800/min
Długość skoku		22 mm
Zakres cięcia	drewno	100 mm
	stal	10 mm
Waga (z akumulatorem)		1,96 kg
Poziom ciśnienia akustycznego (LpA)		82,2 dB(A)
Poziom mocy akustycznej (LwA)		93,2 dB(A)
Tolerancja pomiaru K_{paz} , K_{wka}		3 dB(A)
Poziom wibracji wg: EN 60745	cięcie deski $a_{\text{h,s}}$	18,067 m/s^2
	cięcie belki drewnianej $a_{\text{h,wb}}$	16,844 m/s^2
Tolerancja pomiaru K		1,5 m/s^2
Zalecane akumulatory Li-ion 20V: TJ15AK (1,5Ah), TJ2AK (2Ah), TJ4AK (4Ah)		
Zalecane ładowarki: TJ3LD (3-5h), TJ1LD (1h)		

Podany poziom drgań jest reprezentatywny dla podstawowych zastosowań elektronarzędzia. Jeżeli elektronarzędzie użyte zostanie do innych

zastosowań lub z innymi narzędziami roboczymi, a także jeśli nie będzie wystarczająco konserwowane, poziom drgań może odbiegać od podanego. Podane powyżej przyczyny mogą spowodować podwyższenie ekspozycji na drgania podczas całego czasu pracy.

Należy wprowadzić dodatkowe środki bezpieczeństwa, mające na celu ochronę operatora przed skutkami ekspozycji na drgania, np.: konserwacja elektronarzędzia i narzędzi roboczych, zabezpieczenie odpowiedniej temperatury rąk, ustalenie kolejności operacji roboczych.

Deklarowana całkowita wartość drgań i deklarowane wartości emisji hałasu zostały zmierzone zgodnie ze standardową metodą badawczą i mogą być wykorzystane do porównania jednego narzędzia z innym.

Deklarowane wartości całkowite drgań i deklarowane wartości emisji hałasu można wykorzystać we wstępnej ocenie narażenia.

Ostrzeżenia:

Wibracje i emisja hałasu podczas rzeczywistego użytkowania elektronarzędzia mogą różnić się od deklarowanych wartości w zależności od sposobu, w jaki narzędzia są używane, w szczególności od rodzaju obrabianego przedmiotu.

Należy określić środki bezpieczeństwa w celu ochrony operatora, które opierają się na oszacowaniu narażenia w rzeczywistym stanie użytkowania (biorąc pod uwagę wszystkie części cyklu operacyjnego, takie jak czasy, w których narzędzie jest wyłączone i kiedy pracuje na biegu jałowym za wyjątkiem czasu wyzwalania).

PRZED PRZYSTĄPIENIEM DO PRACY:

Przed każdym użyciem należy skontrolować, czy ruchome części urządzenia funkcjonują prawidłowo i nie są zablokowane nie są pęknięte lub uszkodzone co mogłoby mieć wpływ na prawidłowe funkcjonowanie urządzenia. Uszkodzone urządzenie należy przed użyciem oddać do naprawy.

■ Ładowanie akumulatora

UWAGA! Urządzenie dostarczane bez akumulatora i ładowarki. W zależności od potrzebowań można dokupić akumulator 1.5Ah **TJ15AK**, 2.0Ah **TJ2AK** lub 4.0Ah **TJ4AK**, oraz odpowiednią ładowarkę **TJ3LD** (z czasem ładowania 3-5 godzin) lub **TJ1LD** (z czasem ładowania 1godzina).

Stan naładowania akumulatora można sprawdzić naciskając przycisk wskaźnika poziomu naładowania baterii (15). Jedna świecąca dioda LED odpowiada niskiemu poziomowi naładowania baterii, dwie świejące diody oznaczają poziom średni, a trzy świejące diody odpowiadają pełnemu naładowaniu akumulatora. Przed użyciem należy w pełni naładować akumulator.

Ładowarka TJ1LD

Dla pierwszego ładowania za pomocą ładowarki **TJ1LD** zaleca się ładowanie trwające minimum 1 godzinie.

1. Wcisnąć przycisk blokady akumulatora (10) i wyjąć akumulator (9) z pilarki (patrz rys. B).
2. Podłączyć akumulator (9) do ładowarki (13) (patrz rys. C).
3. Podłączyć wtyczkę ładowarki do gniazdka sieciowego 220-240V, 50Hz.

Ładowarka TJ3LD

Dla pierwszego ładowania za pomocą ładowarki **TJ3LD** zaleca się ładowanie trwające minimum 5 godzin.

1. Wcisnąć przycisk blokady akumulatora (10) i wyjąć akumulator (9) z pilarki (patrz rys. B).
2. Podłączyć akumulator (9) do ładowarki (13) (patrz rys. D).
3. Podłączyć wtyczkę adaptera do ładowarki.
4. Podłączyć adapter (14) do gniazdka sieciowego 110-240V, 50-60Hz.

■ Sygnalizacja ładowania baterii

Świecąca zielona dioda LED na ładowarce informuje o tym, że ładowarka

jest podłączona do źródła zasilania. Po podłączeniu akumulatora zapala się dioda **czarna**, która informuje, że ładowanie jest w toku. Również o tym sygnalizują migające zielone diody LED akumulatora, pokazując aktualny poziom naładowania baterii.

Gdy bateria będzie całkowicie naładowana czerwona dioda zgaśnie i zapali się dioda zielona.

Po zakończeniu ładowania odłącz ładowarkę z sieci i wyjmij akumulator.

UWAGA! Podczas ładowania akumulator może nieco się nagrzać, jest to sytuacja normalna.

Akumulator litowo-jonowy można doładować w dowolnej chwili, nie powodując tym skrócenia jego żywotności. Przerwanie procesu ładowania nie niesie za sobą ryzyka uszkodzenia ogniw akumulatora.

PRZYGOTOWANIE DO PRACY:

Przed przystąpieniem do przecinania drewna, płyt wiórowych, materiałów budowlanych itp., należy sprawdzić, czy nie zawierają one ciał obcych, takich jak gwoździe, śruby i in., a następnie użyć odpowiedniego brzeszczotu.

■ Montaż brzeszczotu (patrz rys. E)

Do pilarki szablowej mogą być stosowane wszelkie dostępne w handlu brzeszczoty z chwytym uniwersalnym 1/2".

Brzeszczoty oferowane przez producentów najczęściej w kompletach, w zależności od przeznaczenia, mogą różnić się wielkością i rodzajem uzębienia tnącego. Na opakowaniu kompletu brzeszczotów lub w załączonej ulotce producent zwykle informuje o przeznaczeniu poszczególnych ostrzy. Same brzeszczoty mogą być ponadto oznakowane kolorami, różnymi dla różnych materiałów przewidzianych do cięcia.

Brzeszczot nie powinien być dłuższy niż wymaga tego zaplanowane cięcie. Do cięcia krzywizn o małych promieniach należy używać wąskich brzeszczotów.



UWAGA! Przed montażem brzeszczotu i wszystkimi pracami konserwacyjnymi należy odłączyć akumulator od urządzenia.

Przy montażu brzeszczotu należy nosić rękawice ochronne.

Przy dotknięciu brzeszczotu istnieje niebezpieczeństwo zranienia się.

- Obrócić kołnierz uchwyty (4) o ok. 45° w kierunku strzałki i przytrzymać go w tej pozycji.
- Wsunąć wybrany brzeszczot (1) do uchwyty (3). Puścić kołnierz uchwyty (4), który automatycznie zablokuje brzeszczot.

UWAGA! Należy skontrolować, czy brzeszczot jest dobrze osadzony. Luźny brzeszczot może wypaść i zranić obsługującego.

- W zależności od zastosowania istnieje możliwość zamontowania brzeszczotu obróconego o 180° (zębami do góry) (patrz rys. F).

■ Demontaż brzeszczotu

UWAGA! Odłącz narzędzie od źródła zasilania.

- Aby wyjąć brzeszczot, wyciągnij go, obracając jednocześnie kołnierz uchwyty (4) w kierunku strzałki. Obchodź się ostrożnie z rozgrzanymi brzeszczotami.

Złamany brzeszczot można wyjąć w następujący sposób:

- Skieruj narzędzie w dół, obróć kołnierz (4) i potrząśnij narzędziem w górę i w dół. Trzon złamanego brzeszczotu powinien wypaść z uchwyty.

■ Stopa robocza

Stopę roboczą (2) można dopasować do użytego brzeszczotu i rodzaju obróbki, przesuwając ją bezstopniowo na długość (patrz rys. A).

UWAGA! Odłącz narzędzie od źródła zasilania.

- Poluzować śruby mocowania stopy (12) za pomocą dołączonego klucza imbusowego (11) (klucz znajduje się w schowku po prawej stronie

uchwyty główne) i ustawić stopę (2) w pożądaną pozycję.

- Ponownie dociągnąć śruby (12) i skontrolować, czy stopa (2) jest należycie zamocowana.

OBSŁUGA:

■ Włączanie/wyłączanie

Aby włączyć elektronarzędzie najpierw należy wcisnąć przycisk bezpieczeństwa (6) z lewej lub prawej strony uchwyty (8) a następnie naciśnąć włącznik (7).

W celu wyłączenia elektronarzędzia, należy włącznik (7) zwolnić.

■ Regulowanie prędkości skokowej

Przez zwiększenie lub zmniejszenie nacisku na włącznik (7) można bezstopniowo regulować prędkość skokową.

Lekki nacisk na włącznik (7) powoduje małą prędkość skokową. Zwiększony nacisk podwyższa prędkość skokową.

Niezbędna ilość skoków zależna jest od materiału i warunków pracy i można ją wykryć w próbie praktycznej.

Zmniejszenie ilości skoków zaleca się przy nasadzeniu brzeszczotu na obrabiany przedmiot jak i przy cięciach w tworzywie sztucznym i w aluminium.

WSKAZÓWKI DOTYCZĄCE PRACY:

UWAGA! Przy piłowaniu lekkich materiałów budowlanych należy przestrzegać przepisów prawnych i zaleceń producenta materiału.

Należy uważać na to, by brzeszczot był zawsze dłuższy niż przekrój elementu do obróbki. Istnieje niebezpieczeństwo odrzutu (patrz rys. I).

W razie zablokowania brzeszczotu w obrabianym materiale należy natychmiast wyłączyć elektronarzędzie.

Rozwreźć lekko szczelinę piłowania za pomocą odpowiedniego narzędzia i wyciągnąć brzeszczot.

■ Wycinanie (patrz rys. G)

Za pomocą wiertarki wywiercić 20 mm otwór w wycinanym obszarze. Wprowadzić brzeszczot pilarki w otwór i rozpocząć wycinanie.

■ Cięcia wgłębne (patrz rys. H)



UWAGA: W procesie cięcia wgłębne można obrabiać tylko miękkie materiały jak drewno, płyty gipsowe lub podobne!

W celu cięcia wgłębne należy używać tylko krótkich brzeszczotów.

Osadzić elektronarzędzie przednią krawędzią stopy roboczej (2) na obrabiany przedmiot i włączyć. Przy elektronarzędziach ze sterowaniem ilości skoków należy wybrać maksymalną ilość skoków.

Przycisnąć mocno elektronarzędzie do obrabianego przedmiotu i doprowadzić do wolnego zagłębienia się brzeszczotu w obrabiany przedmiot. Skoro tylko stopa (2) leży całą powierzchnią na obrabianym przedmiocie, ciąć dalej wzdłuż używanej linii cięcia.

■ Podstawowe zasady prawidłowego posługiwania się pilarką

- Należy przecinać materiał stosując umiarkowany nacisk, nie dopuszczać do nadmiernego obciążenia pilarki;
- Nadmierny docisk pilarki może spowodować zwolnienie lub przerwanie ruchu posuwisto-zwrotnego, co prowadzi do zwolnienia lub przerwania procesu cięcia;
- Przy cięciu, stopa pilarki całą powierzchnią powinna przylegać do materiału obrabianego;
- Wycinanie otworu kształtowego w twardych materiałach, należy poprzedzić wywierceniem otworu, umożliwiającemu wsunięcie brzeszczotu. W przeciwnym wypadku istnieje niebezpieczeństwo

odrzutu i złamania brzeszczotu;

- Przy cięciu linii tworzących ostry kąt lub połączonych lukiem o małym promieniu, należy stosować najlepiej wąskie brzeszczoty;
- Ze względu na rozgrzewanie się materiału należy przy cięciu metali nanosić wzdłuż linii cięcia środki chłodząco-smarujące.

PRZECHOWYWANIE I KONSERWACJA:

Maszynę należy przechowywać w miejscu niedostępnym dla dzieci, utrzymywać w stanie czystości, chronić przed wilgocią i zapyleniem. Warunki przechowywania powinny wykluczać możliwość uszkodzeń mechanicznych oraz wpływ czynników atmosferycznych. Nigdy nie przechowywać akumulatorów na słońcu, przy grzejnikach lub za szybami.

UWAGA: Zawsze przed rozpoczęciem czynności czyszczenia i konserwacji należy odłączyć akumulator od urządzenia i wyjąć wtyczkę ładowarki z gniazda zasilającego.

Należy regularnie kontrolować stan wkrętów mocujących korpus pilarki. W razie potrzeby dokręcić.

Po pracy zaleca się przedmuchiwanie sprężonym powietrzem otworów wentylacyjnych i uchwytu brzeszczotu. Zapobiegnie to uszkodzeniu łożysk, usunie pył blokujący dopływ powietrza chłodzącego silnik.

Korpus należy czyścić przy pomocy czystej, wilgotnej ściereczki z niewielką ilością mydła, wycierając następnie do sucha.

Nie używać żadnych środków czyszczących ani rozpuszczalników; mogą one uszkodzić części urządzenia wykonane z tworzywa sztucznego.

Należy uważać, aby do wnętrza urządzenia nie dostała się woda.

Ładowarkę należy czyścić tylko przy użyciu suchej szmatki.

TRANSPORT:

Pilarkę szablówką transportować i składować w opakowaniu, chroniącym przed wilgocią, wnikaniem pyłu i drobnych obiektów, zwłaszcza należy zabezpieczyć otwory wentylacyjne. Drobne elementy, które dostaną się wewnątrz obudowy mogą uszkodzić silnik.

W przypadku wyjęcia akumulatora z urządzenia na czas transportu lub magazynowania należy się upewnić, że nie dojdzie do zwarcia styków akumulatora. Z walizki, skrzynki narzędziowej lub pojemnika transportowego należy usunąć części metalowe, jak np. wkręty, gwóźdź, kłamy, porzucane bity, druty lub opiłki metalowe lub w inny sposób zapobiec zetknięciu się tych elementów z akumulatorem.

PRODUCENT:

PROFIX Sp.z o.o.,
ul. Marywiłska 34,
03-228 Warszawa

Niniejsze urządzenie jest zgodne z normami krajowymi i europejskimi, oraz wytycznymi bezpieczeństwa.

UWAGA! W razie problemów technicznych prosimy kontaktować się z uprawnionym serwisem. Wszelkie naprawy muszą być przeprowadzane przez wykwalifikowany personel, używając oryginalnych części zamiennych.

PIKTOGRAMY:

Objaśnienia ikonek znajdujących się na tabliczce znamionowej i naklejkach informacyjnych:



«Przed uruchomieniem przeczytać instrukcję obsługi.»



«Akumulator należy chronić przed wysokimi temperaturami, np. przed stałym nasłonecznieniem.»



«Nie wrzucać akumulatorów do ognia.»



«Nie wrzucać akumulatorów do wody.»



«Wyłączyć do użytku wewnątrz pomieszczeń.»

OCHRONA ŚRODOWISKA:



UWAGA: Przedstawiony symbol oznacza zakaz umieszczania zużytego sprzętu łącznie z innymi odpadami (z zagrożeniem karą grzywny). Składniki niebezpieczne znajdujące się w sprzęcie elektrycznym i elektronicznym wpływają negatywnie na środowisko naturalne i zdrowie ludzi.

Gospodarstwo domowe powinno przyczynić się do odzysku i ponownego użycia (recyklingu) zużytego sprzętu. W Polsce i w Europie tworzony jest lub już istnieje system zbierania zużytego sprzętu, w ramach którego wszystkie punkty sprzedaży ww. sprzętu mają obowiązek przyjmować zużyty sprzęt. Ponadto istnieją punkty zbiórki ww. sprzętu.

TYPOWE USTERKI I ICH USUWANIE:

PROBLEM	MOŻLIWA PRZYCZYNA	ROZWIĄZANIE PROBLEMU
Pilarka nie działa.	Brak zasilania, uszkodzenie silnika lub wyłącznika.	Sprawdzić stan baterii, w razie potrzeby doładować lub wymienić na nową. Jeżeli elektronarzędzie nadal nie działa, należy je wysłać do serwisu naprawczego na adres podany w karcie gwarancyjnej.
Zakłócenia w pracy silnika.	Rozładowana bateria.	Doładować baterię.
	Zużyte szczotki węglowe.	Wymienić szczotki węglowe w serwisie naprawczym.



Polityka firmy PROFIX jest polityką stałego udoskonalania swoich produktów i dlatego firma rezerwuje sobie prawo zmiany specyfikacji wyrobu bez uprzedniego zawiadomienia. Obrazki, podane w instrukcji obsługi, są przykładowe i mogą się nieznacznie różnić od rzeczywistego wyglądu zakupionego urządzenia.


Niniejsza instrukcja jest chroniona prawem autorskim. Kopiowanie/ powielanie jej bez pisemnej zgody firmy Profix Sp. z o.o. jest zabronione.



ПЕРЕД НАЧАЛОМ ЭКСПЛУАТАЦИИ НЕОБХОДИМО ОЗНАКОМИТЬСЯ С НАСТОЯЩЕЙ ИНСТРУКЦИЕЙ.

Хранить инструкцию для возможного применения в будущем.



ПРЕДУПРЕЖДЕНИЕ! Необходимо ознакомиться со всеми предупреждениями, касающимися безопасности при эксплуатации, обозначенными символом  и всеми указаниями по технике безопасности.

Несоблюдение указанных ниже предупреждений, касающихся безопасности и указаний по технике безопасности может привести к поражению электрическим током, пожару и/или серьезным травмам тела.

Необходимо хранить все предупреждения и указания, касающиеся техники безопасности, чтобы можно было воспользоваться ними в будущем.

В указанных ниже предупреждениях слово „электроинструмент“ означает электроинструмент с питанием от сети (посредством электрического кабеля) или электроинструмент, питаемый от аккумулятора (беспроводное питание).



ПРЕДУПРЕЖДЕНИЕ! Общие предупреждения, касающиеся безопасности при эксплуатации инструмента.

Техника безопасности на рабочем месте:

- Необходимо поддерживать порядок и хорошее освещение на рабочем месте. Беспорядок и плохое освещение являются причиной несчастных случаев.
- На следует использовать электроинструмент во взрывоопасной среде, образующейся легко воспламеняющимися жидкостями, газами или пылью. Электроинструмент создаёт искры, которые могут привести к воспламенению пыли или испарений.
- Не допускать детей и наблюдателей в места, в которых применяются электроинструменты. Отвлечение внимания может привести к потере контроля над электроинструментом.



ПРЕДУПРЕЖДЕНИЕ! Общие предупреждения, касающиеся безопасности при эксплуатации инструмента.

Электробезопасность:

- Штепсельные вилки должны соответствовать сетевым розеткам. Ни в коем случае не переделывать каким-либо образом штепсельную вилку. Не применять каких-либо удлинителей электропитания в случае использования электроинструментов, имеющих провод электропитания с защитным заземляющим проводником. *Отсутствие переделок штепсельных розеток и сетевых розеток снижает опасность поражения электрическим током.*
- Необходимо избегать прикосновения к поверхности заземлённых или закороченных на массу элементов, таких как трубы, нагреватели, радиаторы центрального отопления и холодильные агрегаты. В случае прикосновения заземлённого или закороченного на массу элемента увеличивается опасность поражения электрическим током.
- Не подвергать электроинструменты воздействию дождя

или влажных условий. В случае попадания в электроинструмент воды увеличивается опасность поражения электрическим током.

- Не создавать опасности повреждения кабеля электропитания. Ни в коем случае не использовать кабеля электропитания, чтобы переносить или тянуть электроинструмент или для извлечения штепсельной вилки из розетки. Кабель электропитания должен находиться вдали от источников тепла, масел, острых краёв и движущихся частей. *Повреждённые или запутанные кабели электропитания увеличивают опасность поражения электрическим током.*
- Если электроинструмент эксплуатируется на свежем воздухе, следует использовать удлинители кабеля электропитания, предназначенные для работы вне помещений. *Использование удлинителя кабеля электропитания, предназначенного для работы вне помещений, снижает опасность поражения электрическим током.*
- Рекомендуется подключение устройства к электрической сети, снабжённой выключателем остаточного тока (RCD) с током выключения 30 мА или менее.
- Если эксплуатация электроинструмента во влажной среде неизбежна, в качестве защиты от напряжения питания необходимо использовать защитное устройство по разностному току (RCD). *Применение защитного устройства по разностному току снижает опасность поражения электрическим током.*



ПРЕДУПРЕЖДЕНИЕ! Общие предупреждения, касающиеся безопасности при эксплуатации инструмента.

Индивидуальная безопасность:

- Настоящее оборудование не предназначено для эксплуатации лицами (включая детей) с физическими, сенсорными или умственными ограничениями или лицами, не имеющими опыта или не знающими оборудования, разве что это осуществляется под надзором или в соответствии с инструкцией по эксплуатации оборудования, переданной лицами, отвечающими за их безопасность.
- Необходимо быть предусмотрительным, наблюдать за работой и руководствоваться здравым смыслом во время эксплуатации электроинструмента. Не следует эксплуатировать электроинструмент в состоянии переутомления или находясь под действием наркотиков, алкоголя или лекарств. *Менювание невнимания во время эксплуатации электроинструмента может быть причиной травмы пользователя.*
- Необходимо применять средства личной защиты. **Необходимо обязательно работать с защитными очками.** *Применение в соответствующих условиях средств личной защиты, таких как противопыльный респиратор, противоскользящая обувь, каска или средства защиты слуха снизит риск получения травмы.*
- Необходимо избегать случайного запуска в работу.

Прежде чем вставить вилку кабеля электропитания в сетевую розетку или подключить аккумулятор, а также перед тем, как поднять или перенести электроинструмент, необходимо убедиться, что включатель электро-инструмента находится в положении «выключено». Перенос электроинструмента с пальцем на выключателе или подключении электроинструмента к сети питания при включенном выключателе может привести к несчастному случаю.

- д) Прежде, чем запустить электроинструмент в работу, необходимо устранить все ключи. Ключ, оставшийся во вращающейся части электроинструмента, может привести к травме пользователя.
- е) Не следует слишком сильно наклоняться. Необходимо всё время сохранять устойчивость и равновесие. Это позволяет лучше контролировать электроинструмент в неожиданных ситуациях.
- ж) Необходимо иметь соответствующую одежду. Не работать в свободной одежде или с бижутерией. Необходимо, чтобы волосы пользователя, его одежда и рукавицы находились вдали от движущихся элементов. Свободная одежда, бижутерия или длинные волосы могут быть зацеплены движущимися частями.
- з) Если оборудование приспособлено для присоединения внешнего пылеотвода (пылеулавливающего устройства) и поглотителя пыли, необходимо убедиться, что они присоединены и правильно применяются. Применение поглотителей пыли может уменьшить опасность, связанную с запыленностью.
- и) Не позволяйте, чтобы навыки, приобретенные благодаря частому пользованию электроинструментом, позволили Вам почувствовать себя самоуверенно и проигнорировать правила техники безопасности. Неосторожные действия могут вызвать серьезные травмы в течение доли секунды.



ПРЕДУПРЕЖДЕНИЕ! Общие предупреждения, касающиеся безопасности при эксплуатации инструмента.

Эксплуатация и уход за электроинструментом:

- а) Не допускать перегрузки электроинструмента. Применять электроинструмент с мощностью, соответствующей выполняемой работе. Надлежащий электроинструмент позволит лучше и безопаснее работать при нагрузке, на которую он рассчитан.
- б) Не следует применять электроинструмент, если его включатель не включается и не выключается. Каждый электроинструмент, который не может включаться или выключаться выключателем, представляет опасность и должен быть передан на ремонт.
- в) Необходимо отсоединить штепсельную вилку от источника питания электроинструмента и/или отсоединить аккумулятор прежде чем выполнить какую-либо установку, замену части или складирование устройства. Такие предупредительные меры безопасности снижают риск случайного запуска электроинструмента в работу.

г) Неиспользуемый электроинструмент следует хранить в недоступном для детей месте и не разрешать тем, кто незнаком с электроинструментом или настоящей инструкцией, пользоваться электроинструментом. Электроинструмент опасен в руках необученных пользователей.

- д) Следует выполнять технический уход за электроинструментом. Необходимо проверить соосность или отсутствие заедания (защемления) подвижных элементов, трещин частей, а также все другие факторы, могущие влиять на работу электроинструмента. В случае обнаружения неисправности, необходимо выполнить ремонт электроинструмента. Причиной многих несчастных случаев является непрофессиональный способ выполнения технического ухода.
- е) Режущий инструмент должен быть острым и чистым. Соответствующее содержание и уход за острыми кромками режущего инструмента снижает вероятность защемления и упрощает обслуживание.
- ж) Электроинструмент, оснащение, рабочие инструменты и т. п. необходимо применять в соответствии с настоящей инструкцией, учитывая рабочие условия и вид выполняемой работы. Применение электроинструмента не по назначению может привести к опасным ситуациям.
- з) При низкой температуре или после длительного перерыва в эксплуатации рекомендуется включение электро-инструмента без нагрузки на несколько минут с целью распределения смазки в механизме привода.
- и) Для чистки электроинструмента применять мягкую, влажную (не мокрую) тряпку и мыло. Не применять бензина, растворителей и других средств, могущих повредить устройство.
- й) Электроинструмент следует хранить/ транспортировать, убедившись, что все его подвижные элементы заблокированы и защищены от разблокировки при помощи оригинальных элементов, предназначенных для этой цели.
- к) Электроинструмент должен храниться в сухом месте и быть защищенным от пыли и проникания влаги.
- л) Транспортировку электроинструмента необходимо выполнять в оригинальной упаковке, защищающей от механических повреждений.
- м) Держатели и хватательные поверхности следует содержать в чистоте, удаляя с них масло и смазку. Скользкие держатели и хватательные поверхности не позволяют безопасно держать инструмент и контролировать его в случае возникновения неожиданных ситуаций.



ПРЕДУПРЕЖДЕНИЕ! Общие предупреждения, касающиеся безопасности при эксплуатации инструмента.

Ремонт:

- а) Гарантийный и послегарантийный ремонт своих электроинструментов выполняет сервисная служба компании PROFIX, что гарантирует высочайшее качество ремонта и использование оригинальных запчастей.



ПРЕДУПРЕЖДЕНИЕ!

Во время работы с электроинструментом следует обязательно соблюдать основные меры безопасности при работе, чтобы избежать взрыва, пожара, поражения электрическим током, или механической травмы.



ПРЕДУПРЕЖДЕНИЕ! АККУМУЛЯТОРНАЯ САБЕЛЬНАЯ ПИЛА, особые указания по безопасной эксплуатации устройства:

- а) Выполняя работы, при которых электроинструмент может попасть на скрытую электропроводку, следует держать электроинструмент за изолированную поверхность рукояток. При контакте с находящимися под напряжением проводами все металлические части электроинструмента также окажутся под напряжением и могут привести к поражению оператора.
- б) Следует применять соответствующие приборы для обнаружения скрытой электропроводки сети питания или попросить о помощь городские коммунальные службы. Контакт с проводами, находящимися под напряжением, может привести к пожару или поражению электрическим током. Повреждение газопроводной трубы может привести к взрыву. Проникновение в водопроводную трубу ведёт к материальным потерям.
- в) Не обрабатывать материалы, содержащие асбест. Асбест является канцерогенным материалом.
- г) Необходимо поддерживать чистоту в месте выполнения работы. Смеси материалов представляют особую опасность. Пыль лёгких металлов может воспламениться или взорваться.
- д) Нельзя поддерживать обрабатываемый предмет рукой или ступней. Предмет, который будет обрабатываться, следует хорошо закрепить в зажимном устройстве или в тисках. Убедиться, что все крепящие зажимы зажаты, и проверить, нет ли слишком большого зазора.
- е) Необходимо обязательно работать с защитными очками и средствами защиты слуха. В случае необходимости применять защитную маску (респиратор), чтобы снизить опасность вдыхания вредной пыли.
- ж) Необходимо следить, чтобы рабочая подошва (2) плотно прилегала к обрабатываемому предмету во время резки. Имеется опасность захвата пыльного полотна. При блокировке (застревании) пыльного полотна может наступить его поломка или произойти отброс.
- з) Необходимо применять только неповреждённые пыльные полотна, находящиеся в идеальном состоянии. Искривлённые или тупые пыльные полотна могут сломаться или привести к появлению возвратной силы.
- и) Электроинструмент следует запустить в работу перед соприкосновением пыльного полотна с материалом. В противном случае имеется опасность отброса, поскольку наступит блокировка используемого инструмента в обрабатываемом предмете.
- й) Электроинструмент необходимо прочно держать обеими руками и сохранять безопасное рабочее положение. Потеря контроля над электроинструментом может привести к травме оператора или повреждению устройства.
- к) Держать руки вдали от области резки. Не вкладывать их под обрабатываемый предмет. При соприкосновении с пыльным полотном имеется опасность травмы.
- л) По завершении работы электроинструмент следует выключить. Пыльное полотно можно извлечь из обрабатываемого материала после его остановки. Тем самым можно избежать отброса и безопасно отложить электроинструмент в сторону.
- м) Не тормозите пыльное полотно после выключения боковым прижатием. Это может повредить пыльное полотно, обломать его или привести к рикошету.
- н) Необходимо отключать электроинструмент от аккумулятора во время перерыва в работе, во время смены пыльных полотен, ремонта, чистки или регулировки. Не откладывать электроинструмент, пока он не остановится.



ПРЕДУПРЕЖДЕНИЕ! Безопасное использование батареи и зарядных устройств -

Эксплуатация аккумуляторов:

- а) Необходимо применять только аккумуляторы, соответствующие прилагаемой производителем спецификации. В случае применения других аккумуляторов существует опасность, что корпус аккумулятора треснет и развалится, может иметь место травма тела или пожар.
- б) **ВНИМАНИЕ:** В случае повреждения и неправильной эксплуатации аккумулятора может иметь место выделение взрывоопасных газов. Аккумулятор должен всегда находиться вдали от источника огня. Необходимо обеспечить надлежащую вентиляцию в процессе его зарядки. Запрещено оставлять его на длительное время в среде с высокой температурой (в местах с интенсивным солнечным излучением, вблизи калориферов или там, где температура превышает 40 градусов).
- в) Зарядка аккумулятора должна осуществляться при температуре 15-25°C.
- г) Зарядку следует осуществлять только при помощи зарядного устройства, рекомендуемого производителем. Применение зарядного устройства, предназначенного для зарядки аккумуляторных батарей другого типа, может привести к пожару.
- д) Хранить аккумуляторы от воздействия воды и влаги.
- е) Если необходимо зарядить больше одного аккумулятора, требуется сделать 30-минутный перерыв между очередными зарядками.
- ж) Категорически запрещено вскрывать аккумулятор.
- з) При неблагоприятных условиях из аккумулятора может вытекать жидкость (электролит); необходимо избегать контакта с жидкостью. Если случайно произойдёт попадание жидкости на пользователя, место попадания необходимо промыть водой. Если жидкость попадёт в глаза, необходимо, кроме того, обратиться за помощью к

врачу. Вытекающая из аккумулятора жидкость может привести к раздражению кожи или ожогам.

- и) Если аккумуляторная батарея не используется, необходимо хранить её вдали от металлических предметов, таких как металлические скрепки, монеты, ключи, гвозди, винты или малые металлические элементы, которые могут привести к короткому замыканию контактов (клемм) аккумулятора. Короткое замыкание контактов (клемм) аккумулятора может привести к ожогам или пожару.
- к) Не бросать аккумуляторы в огонь.
- л) Запрещено заряжать повреждённый аккумулятор.



Аккумуляторы предназначены для многократной зарядки, они содержат вредный для окружающей среды литий.

После завершения срока службы необходимо утилизировать аккумуляторы в соответствии с предписаниями по охране окружающей среды.

Для этого необходимо полностью разряженный аккумулятор извлечь из электроинструмента, сдать в пункт сбора отработанных аккумуляторов или сдать в магазин, в котором он был приобретён.

Эксплуатация зарядного устройства:

- а) Зарядку следует осуществлять только при помощи зарядного устройства, рекомендуемого производителем. Применение зарядного устройства, предназначенного для зарядки аккумуляторных батарей другого типа, может привести к пожару.
- б) Запрещено раскручивать (разбирать) зарядное устройство.
- в) Зарядное устройство предназначено только для работы внутри помещения. Нельзя подвергать его воздействию воды или влаги.
- г) Выполнять зарядку только в диапазоне температуры 15-25 градусов.
- д) Запрещено вкладывать какие-либо металлические предметы в зарядное устройство.

КОНСТРУКЦИЯ И ПРЕДНАЗНАЧЕНИЕ САБЕЛЬНОЙ ПИЛЫ:

Сабельная пила питается от аккумулятора напряжением 20В.

Устройство служит для резания и выкройки в древесине и древесных материалах, пластмассе, металлах, керамической плитке и резине. Оно приспособлено для прямой и криволинейной резки. Процесс резания выполняется с помощью соответствующего режущего полотна, адаптированного к обрабатываемому материалу.

Устройство не предназначено для длительных работ в сложных условиях. Запрещено применять электроинструмент для работ, требующих применения профессионального устройства.

Каждое применение пилы, несоответствующее указанному выше назначению, запрещено и ведёт к потере гарантии и отсутствию ответственности производителя за возникший в результате этого ущерб.

Какие-либо модификации устройства, выполненные пользовате-

лем, освобождают производителя от ответственности за повреждения и ущерб, причинённый пользователю и окружающей среде.

Правильная эксплуатация электролобзика касается также техобслуживания, хранения, транспортировки и ремонта.

Ремонт пилы должен производиться исключительно в авторизованных пунктах сервисного обслуживания, указанных производителем. Аккумуляторные устройства должны ремонтироваться только лицами, имеющими соответствующую квалификацию.

Даже применяя устройство по назначению, нельзя полностью исключить определённых факторов остаточного риска. С учётом конструкции электроинструмента может иметь место следующая опасность:

- Прикосновение к пыльному полотну в незащищённой области пилы;
- Ожоги при смене пыльного полотна. (Пильное полотно сильно нагревается во время работы и чтобы избежать ожогов при его смене, необходимо применять защитные рукавицы);
- Отбрасывание обрабатываемого предмета или его части;
- Трещина / поломка пыльного полотна;
- Ухудшение слуха в результате неприменения необходимых средств защиты слуха;
- Вредное для здоровья выделение древесной пыли в случае выполнения работ в закрытом помещении.

КОМПЛЕКТАЦИЯ:

- Аккумуляторная сабельная пила - 1 шт.
- Пильное полотно для древесины - 1 шт.
- Ключ шестигранный - 1 шт.
- Инструкция по обслуживанию - 1 шт.
- Гарантийная карта - 1 шт.

ЭЛЕМЕНТЫ УСТРОЙСТВА:

Нумерация элементов устройства относится к изображениям, находящимся на страницах 2-3 инструкции по эксплуатации:

1. Пильное полотно
2. Рабочая подошва
3. Держатель для пильных полотен
4. Фланец
5. Вспомогательная рукоятка
6. Кнопка безопасности
7. Включатель
8. Основная рукоятка
9. Аккумулятор*
10. Кнопка блокировки аккумулятора*
11. Ключ шестигранный
12. Винты крепления подошвы
13. Зарядное устройство*
14. Адаптер*
15. Кнопка индикатора уровня зарядки батареи*
16. Индикатор уровня заряда батареи*

* *Описанные или представленные принадлежности не входят в стандартную комплектацию. Полный ассортимент дополнительного оборудования можно найти в нашем каталоге.*

ТЕХНИЧЕСКИЕ ПАРАМЕТРЫ:

МОДЕЛЬ		TJPS70
Напряжение питания		20 V d.c.
Частота хода без нагрузки		0-2800/мин
Длина хода		22 мм
Пределы резки	древесина	100 мм
	сталь	10 мм
Вес (с аккумулятором)		1,96 кг
Уровень звукового давления (LpA)		82,2 дБ(A)
Уровень звуковой мощности (LwA)		93,2 дБ(A)
Погрешность измерения $K_{\text{дв}}, K_{\text{мв}}$		3 дБ(A)
Вибрация согласно EN 60745	разрезание доски $a_{h,v}$	18,067 м/с ²
	резка деревянной балки $a_{h,wb}$	16,844 м/с ²
Погрешность измерения K		1,5 м/с ²
Рекомендуемые аккумуляторы Li-Ion 20В: TJ15AK (1,5Ач), TJ2AK (2Ач), TJ4AK (4Ач)		
Рекомендуемые зарядные устройства: TJ3LD (3-5h), TJ1LD (1h)		

Указанный уровень вибрации соответствует основным применениям электроинструмента. Если электроинструмент будет использован для других применений или с другими рабочими инструментами, а также, если не будет выполнен соответствующий технический уход, уровень вибрации может отличаться от указанного. Указанные выше причины могут привести к усилению воздействия вибраций в течение всего времени работы.

Необходимо применять дополнительные меры безопасности с целью защиты оператора от воздействия вибрации, а именно: технический уход за электроинструментом и рабочими инструментами, обеспечение соответствующей температуры рук, определение очерёдности рабочих операций.

Заявленное общее значение вибрации и заявленные значения эмиссии шума были измерены в соответствии со стандартным методом испытаний и могут быть использованы для сравнения одного инструмента с другим.

Заявленные общие значения вибрации и заявленные значения эмиссии шума можно использовать в предварительной оценке подверженности опасности.

Предупреждения:

Вибрация и эмиссия шума во время практического использования электроинструмента могут отличаться от заявленных значений, в зависимости от способа, которым инструменты используются, в особенности от типа обрабатываемого предмета.

Следует определить средства безопасности с целью защиты оператора, которые основываются на расчете уровня подверженности опасности в состоянии реального использования (учитывая все этапы операционного цикла, в ходе которых инструмент выключен и когда работает на холостом ходу, за исключением времени высвобождения).

ПРЕЖДЕ ЧЕМ ПРИСТУПИТЬ К РАБОТЕ:

Перед каждым применением следует проверить, правильно ли работают подвижные элементы устройства, проверить отсутствие их блокировки, трещин или повреждений, так как это может иметь влияние на правильную работу электроинструмента. Прежде чем приступить к эксплуатации, необходимо передать повреждённый инструмент на ремонт.

■ Зарядка аккумулятора

ВНИМАНИЕ! Устройство поставляется без аккумулятора и зарядного устройства. В зависимости от ваших потребностей вы можете купить батарею **TJ15AK** с ёмкостью 1.5 Ач, **TJ2AK** 2.0 Ач, или **TJ4AK** 4.0 Ач и подходящее зарядное устройство, **TJ3LD** (с временем зарядки 3-5 часов), или **TJ1LD** (с временем зарядки 1 час).

Состояние зарядки можно проверить, нажав кнопку индикатора уровня заряда аккумулятора (15). Один светящийся светодиод соответствует низкому уровню заряда батареи, два светящихся светодиода показывают средний уровень, а три светящихся светодиода соответствуют полностью заряженному аккумулятору. Прежде чем начать использовать дрель-шуруповерт, необходимо полностью зарядить аккумулятор.

Зарядное устройство TJ1LD

Первую зарядку зарядным устройством **TJ1LD** рекомендуется выполнять в течение не менее 1 часа.

1. Нажать кнопку блокирования аккумулятора (10) и вынуть аккумулятор (9) из пилы (см. рис. В).
2. Подключите аккумулятор (9) к зарядному устройству (13) (см. рис. С).
3. Подключите вилку зарядного устройства к розетке 220-240 В, 50 Гц.

Зарядное устройство TJ3LD

Первую зарядку зарядным устройством **TJ3LD** рекомендуется выполнять в течение не менее 5 часов.

1. Нажать кнопку блокирования аккумулятора (10) и вынуть аккумулятор (9) из пилы (см. рис. В).
2. Подключите аккумулятор (9) к зарядному устройству (13) (см. рис. D).
3. Подключите адаптер к зарядному устройству.
4. Подключите адаптер (14) к электрической розетке 110-240 В, 50-60 Гц.

■ Сигнализация зарядки батареи

Свечение зелёного светодиода означает, что зарядное устройство подключено к источнику питания. После подключения аккумулятора загорится красный светодиод, указывающий, что выполняется зарядка. Это также указывается мигающими зелеными светодиодами аккумулятора, отображающими текущий уровень заряда батареи.

Когда аккумуляторная батарея будет полностью заряжена красный светодиод погаснет и загорится зелёный светодиод.

После окончания зарядки, отключите аккумулятор от сети и извлеките аккумулятор.

ВНИМАНИЕ! Во время зарядки батарея может слегка нагреться, это нормальная ситуация.

Литий-ионный аккумулятор можно заряжать в произвольный момент, без снижения в результате этого его долговечности. Прекращение процесса зарядки не несёт риска повреждения элементов аккумулятора.

ПОДГОТОВКА К РАБОТЕ:

Прежде чем приступить к резке древесины, древесно-стружечных плит, строительных материалов и т. п. необходимо проверить, не содержат ли они посторонних элементов, таких как гвозди, шурупы, винты, болты и др., а затем применить соответствующее пыльное полотно.

■ Установка пыльного полотна (см.рис. E)

Для сабельной плиты можно использовать все доступные пыльные полотна универсального хвостовика ½".

Пыльные полотна предлагаются производителями как правило в

комплектах, в зависимости от назначения и могут отличаться размером и видом режущих зубьев. На упаковке комплекта пильных полотен или в прилагаемой информационной листовке производитель обычно указывает назначение отдельных пилок. Кроме того, сами пильные полотна могут быть обозначены разными цветами, соответствующими разным материалам, для резки которых они предназначены.

Длина пильного полотна не должна быть больше, чем необходимо для данного пропила. Для криволинейного пропила с малыми радиусами кривизны следует применять узкие пильные полотна.



ВНИМАНИЕ! Перед монтажом полотна и всеми консервационными работами следует отключить аккумулятор от устройства.

При монтаже полотна следует носить защитные перчатки. При контакте с полотном существует опасность получения травм.

- Повернуть фланец держателя (4) прим. на 45° в указанном стрелкой направлении и придержать его в этом положении.
- Вставить выбранное пильное полотно (1) в держатель (3). Отпустить фланец держателя (4), который автоматически зафиксирует пильное полотно.

ВНИМАНИЕ! Необходимо убедиться, что пильное полотно хорошо посажено и зафиксировано. Незафиксированное пильное полотно может выпасть и поранить оператора электропилы.

- При необходимости возможна установка пильного полотна, повернутого на 180 (зубьями вверх) (см. рис. F).

■ Снятие пильного полотна

ВНИМАНИЕ! Отключить инструмент от источника питания.

- Для снятия пильного полотна следует извлечь его, вращая одновременно фланец (4) держателя в указанном стрелкой направлении. Следует осторожно обращаться с разогретыми пильными полотнами.

Сломанное пильное полотно можно извлечь следующим образом:

- Направить электроинструмент вниз, повернуть фланец (4) и потянуть электроинструментом вверх и вниз. Конец сломанного пильного полотна должен выпасть из держателя.

■ Рабочая подошва

Рабочую подошву (2) можно приспособить в соответствии с используемым пильным полотном и видом обработки, перемещая её плавное по длине (см. рис. A).

ВНИМАНИЕ! Отключить инструмент от источника питания.

- Ослабить винты крепления подошвы (12) при помощи шестигранного ключа (11) (ключ находится в гнезде с правой стороны основной рукоятки) и установить рабочую подошву (2) в необходимом положении.
- Повторно затянуть винты (12) и убедиться, что рабочая подошва (2) закреплена надлежащим образом.

ОБСЛУЖИВАНИЕ:

■ Включение / выключение

Чтобы включить электроинструмент сперва следует нажать кнопку безопасности (6) с левой либо правой стороны рукоятки (8), а затем нажать включатель (7).

Для выключения электроинструмента следует отпустить выключатель (7).

■ Регулировка частоты хода

Увеличивая или уменьшая нажим на включатель (7) можно плавно регулировать частоту хода.

При слабом нажиме на включатель (7) частота хода пильного полотна будет малой. При более сильном нажиме частота хода увеличивается. Выбор частоты хода осуществляется в зависимости от материала и условий работы и можно её определить пробным путём.

Частоту хода рекомендуется снижать при посадке пильного полотна на обрабатываемый предмет, а также при резке пластмассы и алюминия.

УКАЗАНИЯ ПО РАБОТЕ УСТРОЙСТВА:

ВНИМАНИЕ! При распиловке лёгких строительных материалов следует соблюдать правовые нормы и рекомендации производителя материала.

Необходимо следить, чтобы пильное полотно было длиннее, чем сечение элемента подлежащего обработке. Имеется опасность отброса (см. рис. I).

В случае застревания пильного полотна в обрабатываемом материале, необходимо немедленно выключить электроинструмент.

Раскрыть слегка щель пропила при помощи соответствующего инструмента и извлечь пильное полотно.

■ Вырезание (см. рис. G)

При помощи дрели высверлить отверстие диаметром 20 мм в вырезаемой области. Ввести пильное полотно в отверстие и начать вырезание.

■ Выполнение врезания (см. рис. H)



ВНИМАНИЕ: Методом врезания можно обрабатывать только мягкие материалы, такие как древесина, гипсовые плиты или аналогичные материалы!

Для выполнения врезания применять только короткие пильные полотна.

Установить передний край рабочей подошвы (2) на обрабатываемый предмет и включить электроинструмент. Для электроинструмента с регулируемой частотой ходов необходимо установить максимальную её величину.

Сильно прижать электроинструмент к обрабатываемому предмету и добиться свободного углубления пильного полотна в обрабатываемый материал. Когда рабочая подошва (2) ляжет всей своей поверхностью на обрабатываемом материале, выполнить пропил далее вдоль линии резки.

■ Основные принципы правильного пользования пилой

- Разрезать материал с умеренным нажимом, не допуская чрезмерной перегрузки пилы;
- Чрезмерный прижим пилы может привести к замедлению и прекращению возвратно-поступательного движения, что ведёт к замедлению или прекращению процесса резки;
- В процессе резки рабочая подошва пилы должна прилегать всей поверхностью к обрабатываемому материалу;
- Перед вырезанием в твёрдом материале фигурного отверстия необходимо предварительно высверлить отверстие, позволяющее вставить пильное полотно. В противном случае существует возможность отбрасывания и поломки полотна;
- При резке вдоль линий, образующих острый угол или соединённых дугой с малым радиусом лучше всего использовать узкие пильные полотна;
- В связи с разогревом материала необходимо при резке металла наносить вдоль линии резки охлаждающе-смазывающие средства.

ХРАНЕНИЕ И ТЕХНИЧЕСКИЙ УХОД:

Машину следует хранить в месте, недоступном для детей, содержать в чистоте, защищать от влаги и попадания пыли. Условия хранения должны исключать возможность механических повреждений и влияния атмосферных условий. Никогда не хранить аккумуляторы на солнце, возле обогревателей либо за стеклом.

ВНИМАНИЕ: Всегда перед очисткой и консервацией следует отключить аккумулятор от электроинструмента и вынуть штепсельную вилку зарядного устройства из электрической розетки.

Следует регулярно проверять, хорошо ли закручены винты, крепящие корпус пилы. При необходимости тщательно закрутить.

После окончания работы рекомендуется выполнить продувку сжатым воздухом вентиляционных отверстий и держателя пыльного полотна. Это предотвратит повреждение подшипников и устранил пыль, блокирующую приток воздуха, охлаждающего двигатель.

Корпус следует чистить чистой влажной тряпкой с небольшим количеством мыла, а затем протереть насухо.

Не применять каких-либо чистящих средств или растворителей. Они могут повредить пластмассовые элементы электроинструмента.

Необходимо следить за тем, чтобы вовнутрь электроинструмента не попала вода.

Зарядное устройство нужно чистить при помощи сухой тряпочки.

ТРАНСПОРТИРОВКА:

Сабельную пилу следует транспортировать и складировать в упаковке, защищающей от влаги, проникновения пыли и мелких объектов, особенно необходимо защитить вентиляционные отверстия. Мелкие элементы, попавшие вовнутрь корпуса, могут повредить двигатель.

Если вы вынимаете аккумулятор из устройства на время транспортировки или хранения, убедитесь, что контакты аккумулятора не будут закорочены. Из чемодана, ящика для инструментов или транспортного контейнера следует удалить металлические детали, такие как винты, гвозди, крошечные, разбросанные биты, провода или металлические опилки, или иным образом не допустить контакта этих элементов с батареями.

ПРОИЗВОДИТЕЛЬ:

ООО «ПРОФИКС»,
ул. Марывильска 34,
03-228 Варшава, ПОЛЬША

Настоящее устройство соответствует польским и европейским стандартам, а также указаниям по технике безопасности.

ВНИМАНИЕ! В случае технических проблем обратитесь в авторизованный сервисный центр. Все работы по ремонту должны выполняться квалифицированным персоналом с применением оригинальных запасных частей.

ПИКТОГРАММЫ:

Описание знаков, имеющихся на щитке и информационных наклейках на электроинструменте:



«Перед включением и началом работы необходимо прочитать инструкцию по эксплуатации.»



«Защищайте аккумуляторную батарею от высоких температур, напр., от длительного нагревания на солнце.»



«Не выбрасывайте аккумуляторы в огонь.»



«Не выбрасывайте аккумуляторы в воду.»



«Для использования только внутри помещений.»

ЗАЩИТА ОКРУЖАЮЩЕЙ СРЕДЫ:



ВНИМАНИЕ: Указанный символ означает запрет размещения использованных электроинструментов вместе с другими отходами (за это грозит наказание в виде штрафа). Опасные компоненты, имеющиеся в электрическом и электронном оборудовании, отрицательно влияют на окружающую среду и здоровье.

Домашнее хозяйство должно способствовать восстановлению и повторному использованию (рециклированию) использованного оборудования. В Польше и в Европе создаётся или уже существует система сбора использованного оборудования, предусматривающая, что все пункты продажи в/у оборудования обязаны принимать использованное оборудование. Кроме того, имеются пункты приёма в/у оборудования.

ТИПИЧНЫЕ НЕИСПРАВНОСТИ И ИХ УСТРАНЕНИЕ:

ПРОБЛЕМА	ВОЗМОЖНАЯ ПРИЧИНА	РЕШЕНИЕ ПРОБЛЕМЫ
Пила не работает.	Отсутствие питания, повреждение электродвигателя или включателя.	Проверить состояние батареи, в случае необходимости выполнить её подзарядку или заменить на новую. Если электроинструмент всё равно не работает, необходимо отправить его в сервисный пункт по указанному в гарантийной карте адресу.
Нарушение работы электродвигателя.	Разряжена батарея.	Зарядить батарею.
	Изношены угольные щётки.	Заменить угольные щётки в сервисном пункте.




Политика компании PROFIX - это политика постоянного совершенствования своих изделий, поэтому компания сохраняет за собой право изменения спецификации изделия без предварительного уведомления. Изображения, имеющиеся в инструкции, являются примерными и могут незначительно отличаться от фактического вида приобретённого электроинструмента. Настоящая инструкция по эксплуатации защищена авторскими правами. Запрещено её копирование и размножение без согласия ООО «ПРОФИКС».

RO**INSTRUCȚII DE FOLOSIRE
FIERĂSTRĂU SABIE CU ACUMULATOR TJPS70**

Traducere din instrucțiunea originală

**ÎNAINTE DE UTILIZARE, CITIȚI ACESTE INSTRUCȚIUNI.**

Păstrează instrucțiunile pentru o folosire viitoare.

**ATENȚIE!** Citește toate avertismentele referitoare la protecția muncii marcate cu simboluri  și toate indicațiile referitoare la utilizarea în siguranță.

Nerespectarea avertismentelor de mai jos, poate duce la accidente și la electrocutare, incendii și/sau la vătămări corporale.

Păstrează toate avertismentele și indicațiile referitoare la protecția muncii, pentru a le folosi în viitor.*În avertismentele de mai jos, termenul "unealtă electrică" înseamnă uneltă care este alimentată de la rețea (cu cablu de alimentare) sau uneltă electrică alimentată din baterie (fără cablu).***ATENȚIE!** Reguli generale de protecție a muncii.**Siguranța la locul de muncă:**

- La locul de muncă păstrează curățenie și bună iluminare. Zonele și bancurile de lucru aglomerate cheamă accidente.
- Nu utilizați unealta electrică în atmosferi explozive, formate din lichide inflamabile, gaze sau lichide. Unelata electrică produce scântei, care pot aprinde praful sau aburii.
- Țineți copiii departe de locurile în care unelata electrică este folosită. Distragerea atenției poate duce la pierderea atenției asupra unelei electrice.

**ATENȚIE!** Reguli generale cu privire la utilizarea în siguranță a unelei.**Siguranța electrică:**

- Ștecherul unelei electrice trebuie să fie conforme cu priza. Este interzisă modificarea ștecherului. Este interzisă utilizarea prelungitoarelor în cazul uneltele electrice cu cablu de legare la pământ de protecție. Nemodificarea ștecherelor și a prizelor micșorează riscul de electrocutare.
- Evitați să atingeți suprafața de împământare sau conectările la masă, cum ar fi conducte, radiatoare, radiatoare de încălzire centrală și frigider. În cazul atingerii părților împământate, crește riscul de electrocutare.
- Nu expuneți sculele electrice în condiții de ploaie sau mediu umed. În caz de infiltrație cu apă, crește riscul de electrocutare.
- Nu abuzați de cablurile de conectare. Nu folosiți cablul de alimentare la mutarea, tragerea unelei sau tragerea ștecherului din priză. Păstrarea cablului de alimentare departe de surse de căldură, ulei, mouchii ascuțite sau părți în mișcare. Cablurile deteriorate sau încurcate cresc riscul de electrocutare.
- În cazul în care unelata electrică este folosită în aer liber, conectarea trebuie efectuată cu ajutorul prelungitoarelor destinate funcționării în aer liber. Folosirea prelungitorului destinat funcționării în aer liber, micșorează riscul de electrocutare.
- Vă recomandăm să racordăm aparatul la o rețea electrică dotată cu un comutator cu curent diferențial (RCD) cu amperaj de acționare de 30mA sau mai mic.
- În cazul în care unelata electrică este folosită în mediu umed, este inevitabilă, utilizarea unui dispozitiv de protecție împotriva tensiunii de alimentare, cum ar fi aplicarea unui dispozitiv de curent rezidual (RCD). Folosirea RCD micșorează riscul

de electrocutare.**ATENȚIE!** Avertismente generale cu privire la siguranța folosirii unelei.**Siguranță personală:**

- Acest echipament nu este destinat utilizării de către persoane (inclusiv copii) cu abilități fizice reduse, senzoriale sau mentale, sau de persoane care nu au experiență sau nu cunosc echipamentul, cu excepția cazului în care are loc sub supraveghere sau în conformitate cu instrucția de folosire a echipamentului, de către o persoană responsabilă pentru siguranța lor.
- Trebuie să fii atent, să aveți grijă ce faceți și să păstrați bun simț în timpul folosirii unelei electrice. Nu folosiți unelata electrică, când sunteți obosiți sau sub influența drogurilor, alcoolului sau medicamentelor. Un moment de neatenție în timpul lucrului cu unelata electrică poate cauza vătămări personale grave.
- Folosiți echipament de protecție. Purtați întotdeauna ochelari de protecție. Folosind echipamentul de protecție cum ar fi masca de praf, pantofi cu anti-alunecare, căști sau protecție auditivă, micșorează riscul de vătămare.
- Evitați pornirea accidentală. Înainte de conectarea la sursa de alimentare și/sau înainte de conectarea bateriei și înainte de ridicarea sau mutarea unelei asigurativă că comutatorul unelei electrice este în poziția oprită. Mutarea unelei electrice cu degetul pe comutator sau conectarea unelei electrice la rețeaua de alimentare în poziția pornită poate provoca un accident.
- Înainte de pornirea unelei electrice îndepărtați toate uneltele din apropiere. Lăsarea de unelte pe părțile de mișcare ale unelei electrice poate duce la vătămări corporale.
- Nu vă apliceți prea mult. Trebuie să stați sigur și să mențineți echilibrul. Acest lucru va permite un control mai bun asupra unelei electrice în situații neașteptate.
- Îmbrăcați-vă corespunzător. Nu purtați haine largi sau bijuterii. Țineți părul strâns, hainele și mânușile departe de părțile în mișcare. Hainele largi, bijuteria sau părul lung se pot agăța de părțile în mișcare.
- Dacă echipamentul este potrivit pentru conectarea extractorului de praf extern și a colectorului de praf, asigurativă că acestea sunt conectate și folosite corect. Folosirea colectorului de praf poate reduce riscul de pericole legate de praf.
- Nu permiteți ca abilitățile obținute prin utilizarea frecventă a sculei electrice să vă facă să vă simțiți prea încrezători în sine și să ignorați regulile de siguranță. Acțiunile necorespunzătoare pot provoca vătămări grave într-o fracțiune de secundă.

**ATENȚIE!** Avertismente generale cu privire la folosirea în siguranță a unelei.**Utilizarea și îngrijirea unelei electrice:**

- Nu supraîncărcați unelata electrică. Utilizați o uneltă electrică în funcție de puterea necesară muncii efectuate. Unelata electrică corectă va permite o funcționare mai bună și este sigură în cazul însărcinării, pentru care a fost proiectată.
- Este interzisă utilizarea unelei electrice dacă comutatorul nu pornește și nu oprește unelata. Fiecare uneltă electrică care nu pornește sau nu se oprește este periculoasă și trebuie reparată.

- c) **Deconectați ștecherul de la sursa de alimentare a unelei electrice și/sau deconectați bateria înainte de orice setare, schimbare de părți sau depozitare.** Aceste mijloace de protecție reduc riscul unei porniri accidentale a unelei electrice.
- d) **Unealta electrică nefolosită trebuie depozitată departe de copii și nu trebuie împrumutată persoanelor care nu cunosc unealta electrică sau care nu au citit această instrucție de folosire a unelei electrice.** Unealta electrică este periculoasă când este folosită de o persoană fără experiență.
- e) **Unelata electrică trebuie bine întreținută.** Trebuie controlată alinierea sau bruierea pieselor în mișcare, ruperea pieselor și alți factori care pot avea influență la funcționarea unelei electrice. Dacă găsim o deteriorare, unealta electrică înaintea folosirii trebuie reparată. Cauza multor accidente este întreținerea necorespunzătoare a unelei electrice.
- f) **Uneltele de tăiere trebuie să fie ascuțite și curate.** Înțreținerea părților ascuțite ale uneltelor de tăiere reduce riscul de blocare în material și ușurează folosirea.
- g) **Unealta electrică, echipamentul, uneltele de lucru, etc. trebuie scufosite în conformitate cu această instrucție, ținând cont de tipul și condițiile de lucru.** Utilizarea unelei electrice în alt mod decât este destinația, poate duce la situații periculoase.
- h) **La temperaturi scăzute, sau după o perioadă îndelungată de nefolosire, este recomandată pornirea unelei electrice fără sarcină pentru câteva minute pentru a distribui corect unsoarea în mecanismul de transmisie.**
- i) **Pentru curățirea unelei electrice folosiți o cârpă moale, umedă (nu udă) și săpun.** Nu folosiți benzină, diluanți sau alte mijloace care pot deteriora echipamentul.
- j) **Unealta electrică trebuie depozitată/transportată numai după ce ne-am asigurat că toate elementele în mișcare sunt blocate și asigurate cu ajutorul elementelor originale destinate blocării.**
- k) **Unealta electrică trebuie păstrată într-un loc uscat, asigurat împotriva prafului și a umezelii.**
- l) **Transportul unelei electrice trebuie să aibă loc în ambalajul original, asigurat împotriva deteriorărilor mecanice.**
- m) **Mănerile și suprafețele de prindere trebuie să fie menținute curate fără ulei și grăsimi.** Mănerile și suprafețele de prindere alunecoase nu permit ținerea în siguranță și controlul sculei în situații neașteptate.



ATENȚIE! Avertismente generale cu privire la folosirea în siguranță a unelei.

Repararea:

- a) **Reparații în garanție și postgaranție ale uneltelor dumneavoastră electrice sunt efectuate de Service-ul PROFIX, ceea ce garantează calitatea cea mai ridicată a reparațiilor și utilizarea de piese originale de schimb.**



ATENȚIE! În timpul utilizării unelei electrice se recomandă respectarea regulilor de bază ale siguranței muncii, pentru a evita incendiile, electrocutarea sau vătămări mecanice.



ATENȚIE!

FERĂSTRĂU SABIE, indicații detaliate referitoare la utilizarea în condiții de siguranță a aparatului:

- a) **Atunci când efectuați lucrări în timpul cărora aparatul ar**

putea atinge cabluri electrice ascunse , aparatul electric trebuie ținut de suprafața izolată a mânerului. Contactul cu cablul de rețea poate transmite o parte de tensiune pe piesele metalice ale aparatului iar acest lucru ar putea duce la electrocutare.

- b) **Trebuie să folosiți instrumente de căutare corespunzătoare pentru a localiza cablurile de alimentare ascunse, sau să cereți informații la administrația clădirii.** Contactul cu cablurile sub tensiune poate provoca incendii și constituie pericol de electrocutare. Deteriorarea furtunului de alimentare cu gaz constituie pericol de explozie. Perforarea țevilor de canalizare produce pagube materiale.
- c) **Se interzice prelucrarea de materiale care conțin azbest.** Azbestul poate provoca cancer.
- d) **Locul de muncă trebuie menținut curat.** Amestecurile de materiale sunt extrem de periculoase. Pulberea de metale ușoare se poate aprinde sau poate exploda.
- e) **Nu susțineți obiectul prelucrat cu mâna sau piciorul.** Elementul de prelucrat trebuie fixat bine într-un dispozitiv de prindere sau mențină. Asigurați-vă că toate clemele de fixare sunt strânse și verificați dacă nu joacă prea tare.
- f) **Trebuie să purtați mereu ochelari de protecție și protecție auditivă.** Purtați, atunci când este necesar, mască de protecție pentru a reduce pericolul de inhalare de praf nociv.
- g) **Trebuie să aveți grijă ca talpa de lucru (2) este prinsă bine pe obiectul prelucrat în timpul tăierii.** Există pericolul de blocare a lamei. Lama blocată se poate rupe sau duce la recul.
- h) **Trebuie să folosiți numai lame care nu sunt deteriorate și nu au defecte.** Lamele străbeme sau neascuțite se pot rupe sau pot provoca apariția forței de revenire.
- i) **Aparatul electric trebuie pornit înainte ca lama să atingă materialul.** În caz contrar există pericolul de recul, deoarece aparatul folosit se blochează în obiectul prelucrat.
- j) **Unealta electrică trebuie ținută ferm cu ambele mâini și asigurați o poziție sigură de lucru.** Utilizarea unelei electrice este mai sigură dacă este ținută cu ambele mâini.
- k) **Trebuie să țineți mâinile departe de spațiul de tăiere.** Nu așezați mâinile sub obiectul prelucrat. În caz de contact cu lama există pericolul de rănire.
- l) **După ce terminați lucrarea trebuie să opriți aparatul electric.** Lama poate fi scoasă din materialul prelucrat atunci când este oprită. Astfel evitați reculul și puteți așeza departe în condiții de siguranță aparatul electric.
- m) **Nu frânați lama după oprirea cu butonul lateral.** Lama se poate defecta, rupe sau poate produce recul.
- n) **Decuplați acumulatorul de la aparat în timpul pauzelor de lucru, atunci când schimbați lama, pe durata reparațiilor, curățării sau ajustării.** Înainte de a pune jos scula electrică așteptați ca aceasta să se oprească complet.



ATENȚIE! Utilizare sigură a acumulatorilor și încărcătorilor:

Utilizare acumulatori:

- a) **Utilizați numai acumulatorii care corespund la specificarea dată de producător.** În cazul utilizării unor alte acumulatorii, se poate întâmpla o crăpare, o descompunere, o vătămare corporală sau un incendiu.
- b) **ATENȚIE!** În cazul în care acumulatorul se deteriorează sau este folosit necorespunzător pot apărea emisii de gaze

explozive. Acumulatorul trebuie ținut departe de sursa de foc și trebuie să asigurați ventilație corespunzătoare în timp ce este încărcat. Nu lăsați acumulatorul pentru mult timp în mediu cu temperatură ridicată (în locuri expuse la lumina soarelui, în apropierea caloriferelor și în toate locurile unde temperatura depășește 40°C).

- c) **Încărcarea acumulatorului trebuie să se efectueze în mediu cu temperatura între 15-25 de grade °C.**
- d) **Încărcați unealta doar cu încărcătorul recomandat de producător. În cazul în care folosiți un încărcător proiectat pentru încărcarea altor baterii, acumulatorul există riscul de rănire sau de incendiu.**
- e) **Nu expuneți acumulatorul la acționarea apei și umidității.**
- f) **Dacă intenționați să încărcați mai multe decât un singur acumulator, trebuie să faceți o pauză de 30 de minute între încărcării succesive.**
- g) **În nici un caz nu deschideți acumulatorul.**
- h) **În condiții nefavorabile din acumulator se poate scurge lichid; evitați contactul cu lichidul. În cazul în care utilizatorul intră în contact cu lichidul, trebuie să spălați locul cu apă. În caz de contact cu ochiul, trebuie să apelați la ajutorul medicului. Lichidul scurs din acumulator poate provoca iritații sau arsuri.**
- i) **În cazul în care nu utilizați bateria acumulator, trebuie să o depozitați departe de obiecte metalice precum agrafe de birou, monede, chei, cuie, șuruburi, sau alte obiecte metalice de dimensiuni mici, care pot scurtcircuita bornele acumulatorului. Scurtcircuitarea acumulatorului poate provoca arsuri sau incendiu.**
- j) **Nu aruncați acumulatorul în foc.**
- k) **Nu încărcați acumulator stricat.**



Acumulatorul este destinat pentru încărcare multiplă, conținut litiu care este dăunător pentru mediul înconjurător.

După perioada de folosire, acumulatorul trebuie utilizat în conformitate cu legislația despre protecția mediului natural.

În acest sens, acumulatorul trebuie total epuizat, scos din electroutilaj și predat la un punct de utilizare a acumulatorilor sau la magazinul, în care a fost cumpărat.

Utilizare încărcător:

- a) **Pentru încărcare folosiți doar încărcătorul recomandat de producător. Folosirea încărcătorului proiectat pentru încărcarea altui tip de baterii acumulator poate provoca incendiu.**
- b) **Nu demontați încărcătorul.**
- c) **Încărcătorul poate fi folosit doar în încăperil. Nu expuneți încărcătorul la acțiunea apei și a umidității.**
- d) **Încărcați doar în intervalul de temperaturi 15°-25° C.**
- e) **Nu introduceți niciun fel de obiecte metalice în încărcător.**

STRUCTURA ȘI DESTINAȚIA FERĂSTRĂULUI SABIE:

Ferăstrăul sabie este un aparat alimentat cu un acumulator de 20V.

Aparatul este destinat pentru efectuarea de tăieri și secțiuni în lemn și materiale lemnoase, materiale sintetice, metal, plăci ceramice și cauciuc. Acesta este adaptat pentru efectuarea de tăieturi drepte sau pe linii curbe. Procesul de tăiere se realizează cu ajutorul lamei corespunzătoare potrivite pentru materialul prelucrat.

Aparatul nu poate fi utilizat pentru lucrări de lungă durată în

condiții dificile. Nu folosiți aparatul pentru efectuarea de lucrări care necesită utilizarea unui aparat profesional.

Fiecare utilizare a ferăstrăului în mod neconform cu destinația sus-indicată este interzisă și duce la pierderea garanției și scutește producătorul de răspunderea pentru daunele apărute în urma acestor situații.

Toate modificările aparatului efectuate de utilizator îl exceptă pe producător de responsabilitate pentru pagubele provocate utilizatorului și mediului.

Utilizarea corectă a ferăstrăului se referă, de asemenea, la mentenanța, depozitarea, transportarea și repararea acestuia.

Ferăstrăul poate fi reparat doar în puncte de service indicate de producător. Aparatele cu acumulator trebuie reparate doar de persoane autorizate.

În ciuda utilizării în conformitate cu destinația, nu pot fi eliminați în totalitate anumiți factori de risc. Datorită construcției și proiectării, putem întâlni următoarele pericole:

- Atingerea lamei în timpul funcționării în spațiul neacoperit al ferăstrăului;
- Arsuri la înlocuirea lamei. (În timpul operării lama se încălzește foarte tare, pentru a evita arsurile la înlocuirea acestuia trebuie să folosiți mănuși de protecție);
- Aruncarea obiectului prelucrat sau a unor părți din obiectul prelucrat;
- Fisurarea/ruperea lamei;
- Deteriorarea auzului în cazul în care nu se folosește protecția auditivă necesară;
- Emisiile de praf de lemn dăunător pentru sănătate în cazul în care se efectuează lucrări în încăperi închise.

COMPLETARE:

- Fierăstrău sabie cu acumulator - 1 buc.
- Lamă pentru lemn - 1 buc.
- Cheie imbus - 1 buc.
- Instrucțiuni de utilizare - 1 buc.
- Fișă de garanție - 1 buc.

ELEMENTELE UNELTEI:

Numerotarea pieselor din aparat se referă la reprezentarea grafică amplasată pe paginile 2-3 din instrucțiunile de utilizare:

1. Lamă
2. Talpă de lucru
3. Suport pentru lame
4. Flanșă
5. Mână auxiliară
6. Buton de siguranță
7. Comutator
8. Mână principală
9. Acumulator*
10. Buton blocare acumulator*
11. Cheie imbus
12. Șuruburi de fixare a tălpilor
13. Încărcător*
14. Adaptor*
15. Buton indicator nivel de încărcare baterie*
16. Indicator nivel de încărcare baterie*

***Echipamentul descris sau prezentat nu face parte din dotarea standard. Asortimentul complet de dotare poate fi găsit în catalogul nostru.**

DATE TEHNICE:

MODEL		TJP570
Tensiune de alimentare		20V d.c.
Frecvență tăiere fără sarcină		0-2800/min
Lungimea saltului		22 mm
Interval de tăiere	lemn	100 mm
	oțel	10 mm
Masă (cu acumulatorul)		1,96 kg
Nivel de presiune acustică (LpA)		82,2 dB(A)
Nivel de putere acustică (LwA)		93,2 dB(A)
Incertitudine K_{pm} , K_{wA}		3 dB(A)
Vibrații cf. EN 60745	tăiere scândură $a_{h,B}$	18,067 m/s^2
	tăiere bârnă de lemn $a_{h,WB}$	16,844 m/s^2
Incertitudine K		1,5 m/s^2
Acumulatori recomandați Li-ion 20V: TJ15AK (1,5Ah), TJ2AK (2Ah), TJ4AK (4Ah)		
Încărcătoare recomandate: TJ3LD (3-5h), TJ1LD (1h)		

Nivelul menționat de vibrații este reprezentativ pentru utilizarea aparatului electric. Dacă aparatul electric va fi utilizat pentru alte scopuri sau cu alte instrumente de lucru precum și dacă nu va fi întreținut corespunzător, nivelul de vibrații ar putea diferi de cel indicat. Motivele indicate mai sus pot duce la sporierea nivelului de expunere la vibrații pe toată durata timpului de funcționare.

Trebuie să introduceți mijloace adiționale de siguranță, care au scopul de a proteja operatorul de efectele de expunere la vibrații, de ex.: întreținere aparat electric și instrumente de lucru, asigurarea temperaturii corespunzătoare a mâinilor, stabilirea ordinii operațiilor de muncă.

Valoarea totală declarată a vibrațiilor și valorile declarate ale emisiei de zgomot au fost măsurate în conformitate cu metoda standard de testare și pot fi utilizate pentru a compara un dispozitiv cu altul.

Valoarea totală declarată a vibrațiilor și valorile declarate ale emisiei de zgomot pot fi utilizate în evaluarea inițială a expunerii.

Avertismente:

Vibrațiile și emisiile de zgomot în timpul utilizării efective a sculei electrice pot să difere de valorile declarate în funcție de modul în care sunt utilizate uneltele, în special de tipul piesei prelucrate.

Trebuie determinate măsuri de siguranță pentru protejarea operatorului, care se bazează pe estimarea expunerii în starea reală de utilizare (luând în considerare toate părțile ciclului de operare, cum ar fi timpul în care instrumentul este oprit și când funcționează în ralanti, cu excepția timpului de declanșare).

ÎNAINTE DE LUCRU:

Înainte de fiecare utilizare trebuie să verificați dacă piesele mobile ale aparatului funcționează în mod corespunzător și nu sunt blocate sau deteriorate ceea ce ar putea avea impact asupra modului de funcționare a unelei. Unealta deteriorată trebuie reparată înainte de a o utiliza din nou.

■ Încărcare acumulator

ATENȚIE! Aparatul este livrat fără acumulator și încărcător. În funcție de

neșesități puteți achiziționa un acumulator 1.5Ah **TJ15AK**, 2.0Ah **TJ2AK** sau 4.0Ah **TJ4AK** precum și încărcătorul corespunzător **TJ3LD** (cu durata de încărcare de 3-5 ore) sau **TJ1LD** (cu durata de încărcare de 1 oră).

Pentru a verifica nivelul de încărcare apăsați butonul indicatorului nivelului de încărcare a bateriilor (15). În cazul în care doar o singură diodă LED este aprinsă înseamnă că nivelul de încărcare al bateriei este scăzut, în cazul în care se aprind două diode înseamnă că nivelul de încărcare este mediu, iar trei diode aprinse înseamnă că acumulatorul este încărcat integral. Înainte de utilizare trebuie să încărcăți complet acumulatorul.

Încărcător TJ1LD

Se recomandă ca prima încărcare cu ajutorul încărcătorului **TJ1LD** să dureze minimum 1 oră.

1. Apăsați butonul de blocare a acumulatorului (10) și scoateți acumulatorul (9) din ferăstrău (vezi des. B).
2. Conectați acumulatorul (9) la încărcător (13) (vezi des. C).
3. Conectați ștecherul încărcătorului la priza de rețea 220-240V, 50Hz.

Încărcător TJ3LD

Se recomandă ca prima încărcare cu ajutorul încărcătorului **TJ3LD** să dureze minimum 5 ore.

1. Apăsați butonul de blocare a acumulatorului (10) și scoateți acumulatorul (9) din ferăstrău (vezi des. B).
2. Conectați acumulatorul (9) la încărcător (13) (vezi des. D).
3. Conectați ștecherul adaptorului la încărcător.
4. Conectați adaptorul (14) la priza de rețea 110-240V, 50-60Hz.

■ Semnalizare încărcare baterie

Dioda verde LED aprinsă pe încărcător informează că încărcătorul este conectat la sursa de alimentare. După conectarea acumulatorului se aprinde dioda roșie, care informează că încărcarea este în curs. Acest lucru este semnalizat de diodele verzi LED ale acumulatorului, care indică nivelul actual de încărcare al bateriilor.

Atunci când bateria este încărcată integral, dioda roșie se va stinge și se aprinde dioda verde.

După ce procesul de încărcare s-a terminat, decuplați încărcătorul de la rețea și scoateți acumulatorul.

ATENȚIE! Pe durata încărcării acumulatorul se poate încălzi puțin, acesta este un fenomen normal.

Acumulatorul litiu-ion poate fi încărcat în orice moment, fără a afecta în niciun fel durata de viață a acestuia. Întreruperea procesului de încărcare nu duce la deteriorarea celulelor acumulatorului.

PREGĂTIRE PENTRU UTILIZARE:

Înainte de a începe să tăiați lemn, plăci fibrolemnoase, materiale de construcție etc. trebuie să verificați dacă acestea nu conțin obiecte străine precum cuie, șuruburi și altele, iar apoi folosiți lama corespunzătoare.

■ Montare lamă (dezi des. E)

Pentru ferăstrăul sabie puteți să utilizați toate lamele disponibile în comerț cu suport universal 1/2".

Lamele oferite de producători, cel mai adesea în seturi, în funcție de destinație, se pot deosebi prin dimensiune și tipul dinților de tăiere. Pe ambalajul setului de lame sau în instrucțiunile atașate producătorul informează de obicei despre destinația fiecărui tip de tăis. Mai mult, lamele se pot deosebi prin culori diferite pentru diferitele materiale

prevăzute pentru tăiere.

Lama nu trebuie să fie mai lungă decât tăierea planificată. Pentru tăierea de linie curbă cu raze mici trebuie să utilizați lame înguste.



ATENȚIE! Înainte de a monta lama și de a efectua orice lucrare de mentenanță trebuie să decuplați acumulatorul de la aparat.

Atunci când montați lama trebuie să folosiți mânuși de protecție. În caz de contact cu lama există pericolul de rănire.

- Rotiți flanșa suportului (4) la aprox. 45° în direcția săgeții și țineți în această poziție.
- Introduceți lama selectată (1) în suport (3). Dați drumul la flanșa suportului (4), care blochează automat lama.

ATENȚIE! Trebuie să controlați dacă lama este bine introdusă. Lama care se mișcă liber poate să cadă și să rănească operatorul.

- În funcție de utilizare există posibilitatea de montare a lamei rotite la 180° (cu dinții în sus) (dezi des. F).

■ Demontare lamă

ATENȚIE! Decuplați aparatul de la sursa de curent.

- Pentru a scoate lama trebuie să o trageți și în același timp rotiți flanșa mânerului (4) în direcția săgeții. Manipulați cu grijă lamele fierbinți.

Puteți scoate lama ruptă în modul următor:

- Îndreptați unealta în jos, rotiți flanșa (4) și scuturați unealta în sus și în jos. Socul lamei rupte ar trebui să coboare din suport.

■ Picior de lucru

Piciorul de lucru (2) poate fi ajustat în funcție de lama utilizată și tipul de prelucrare prin deplasare pe lungime (vezi des. A).

ATENȚIE! Decuplați aparatul de la sursa de curent.

- Defiletați șuruburile de fixare a piciorului (12) cu ajutorul cheii imbus livrate (11) (cheia se află în compartimentul din partea dreaptă a mânerului principal) și setați piciorul (2) la poziția dorită.
- Apoi strângeți șuruburile (12) și asigurați-vă că piciorul (2) este fixat în mod corespunzător.

OPERARE:

■ Pornire/oprire

Pentru a porni unealta electrică trebuie să apăsați mai întâi butonul de siguranță (6) din stânga sau din dreapta mânerului (8) iar apoi apăsați comutatorul (7).

Pentru a opri unealta electrică încetați să apăsați butonul de pornire/oprire (7).

■ Ajustarea vitezei de salt

Dacă strângeți mai puternic sau mai slab comutatorul (7) puteți ajusta viteza de salt fără etape intermediare.

Dacă apăsați ușor comutatorul (7) veți avea o viteză mică de salt. Dacă apăsați mai tare crește viteza de salt.

Numărul necesar de salturi depinde de material și de condițiile de lucru și poate fi descoperit în urma unor probe practice.

Diminuarea numărului de salturi se recomandă atunci când fixați lama pe obiectul prelucrat precum și atunci când efectuați tăieturi în materiale plastice și în aluminiu.

INDICAȚII REFERITOARE LA LUCRU:

ATENȚIE! Atunci când tăiați materiale ușoare de construcție trebuie să respectați normele legale și recomandările producătorului de material.

Trebuie să aveți grijă ca lama să fie mereu mai lungă decât

secțiunea obiectului de prelucrat. Există pericolul de recul (dezi des. I).

Atunci când blocați lama în obiectul prelucrat trebuie să opriți imediat unealta electrică.

Deschideți puțin orificiul de tăiere cu o unealtă corespunzătoare și scoateți lama.

■ Decupare (dezi des. G)

Folosiți o mașină de găurit pentru a face un orificiu de 20 mm în zona de decupat. Introduceți lama ferăstrăului în orificiu și începeți să tăiați.

■ Tăiere adâncă (dezi des. H)



ATENȚIE! Pentru procesul de tăiere adâncă pot fi selectate spre prelucrare doar materiale moi cum ar fi lemnul, plăci de gips sau altele asemănătoare!

Pentru a efectua tăierea adâncă trebuie să folosiți doar lame scurte.

Așezați unealta electrică cu partea dreaptă a piciorului de lucru (2) pe obiectul prelucrat și porniți. În cazul aparatelor electrice la care se poate efectua controlul turajului trebuie să selectați viteza maximă de tăiere.

Apăsați cu putere aparatul electric pe obiectul de prelucrat și introduceți lama în acesta până la spațiul fără dinți. Deoarece numai piciorul (2) este sprijinit cu toată suprafața pe obiectul de prelucrat, tăiați de-a lungul liniei de tăiere stabile.

■ Reguli principale de manipulare corectă a ferăstrăului

- Trebuie să tăiați materialul prin apăsare moderată, nu permiteți suprasolicitarea ferăstrăului;
- Dacă apăsați excesiv ferăstrăul puteți înceta sau întrerupe mișcarea înainte-înapoi, ceea ce duce la încetinirea sau încetarea procesului de tăiere;
- Atunci când tăiați, piciorul ferăstrăului trebuie să se sprijine pe toată suprafața pe materialul prelucrat;
- Tăierea unui orificiu în materiale dure trebuie să fie precedată de efectuarea unei găuri care poate permite introducerea lamei. În caz contrar există riscul de recul și de rupere a lamei;
- Când tăiați linii ce formează un unghi ascuțit sau care sunt combinate cu un arc cu rază mică cel mai bine ar fi să utilizați lame înguste;
- Datorită supraîncălzirii materialului trebuie să utilizați agenți de răcire-gresare de-a lungul liniei de tăiere.

DEPOZITARE ȘI MENTENANȚĂ:

Aparatul trebuie depozitat într-un loc care nu se află la îndemâna copiilor, menținut curat, ferit de umiditate și de praf. Condițiile de depozitare trebuie să excludă posibilitatea de deteriorare mecanică sau influența factorilor atmosferici. Nu depozitați niciodată acumulatorii la soare, în apropierea încălzitoarelor sau după geamuri.

ATENȚIE! Înainte de începe să curățați și să efectuați mentenanța trebuie să decuplați acumulatorul de la aparat și să scoateți ștecherul încărcătorului din priză de alimentare.

Trebuie să verificați în mod regulat starea șuruburilor de fixare a corpului ferăstrăului. În cazul în care este necesar strângeți șuruburile.

După ce ați terminat lucrarea se recomandă suflarea cu aer comprimat a orificiilor de ventilare și a suportului lamei. Acest lucru previne deteriorarea rulmenților, îndepărtează praful care blochează accesul de aer care răcește motorul.

Carcasa trebuie curățată cu o până curată și umezită cu o cantitate mică de săpun iar apoi trebuie stearsă până ce se usucă.

Nu folosiți nicio substanță de curățare și niciun diluant; acestea pot

deteriora piesele de plastic ale aparatului.

Aveți grijă ca în interiorul aparatului să nu pătrundă apă.

Încărcătorul trebuie curățate cu ajutorul unei cârpe uscate.

TRANSPORT:

Transportați ferăstrăul-sabie în ambalajul original care-l protejează de umiditate, pătrunderea prafului și particulelor solide. Protejați în special orificiile de ventilație. Elementele mici, care infiltrază interiorul carcasei, pot distruge motorul.

În cazul în care scoateți acumulatorul din aparat pe durata transportului sau depozitării trebuie să vă asigurați că suprafețele de contact ale acumulatorului nu se vor scurcircuita. Scoateți piesele metalice precum șuruburi, cuie, cleme, bituri de șurubelniță, pilitură metalică, sârmă din valiză, cutia de unelte sau recipientul pentru transport sau protejați acumulatorul în alt mod astfel încât să preveniți contactul acestor elemente cu acumulatorul.

PRODUCĂTOR:

PROFIX Sp z o.o.,
str. Marywilka 34,
03-228 Varșovia, POLONIA

Prezentul utilaj este făcut conform normelor naționale și europene, precum și indicilor de siguranță.

ATENȚIE! În caz de probleme tehnice vă rugăm să luați legătura cu un service autorizat. Toate reparațiile trebuie efectuate de un personal calificat, folosindu-se piesele de schimb originale.

PICTOGRAME:

Explicațiile imaginilor de pe tabelul nominal și de pe etichetele informative:



«Înainte de cuplare și de a începe operarea trebuie să citiți prezenta instrucțiune.»



«Feriți acumulatorul de căldură, de asemeni de ex. de radiații solare continue.»



«Nu aruncați acumulatorii în foc.»



«Nu aruncați acumulatorii în apă.»



«Numai pentru utilizare în interior.»

PROTECȚIA MEDIULUI:



ATENȚIE: Simbolul prezentat înseamnă interdicția punerii echipamentelor uzate împreună cu celelalte deșeuri menajere (sub risc de amendă). Componente periculoase care fac parte de utilaje electrice și electronice dăunează mediul natural și sănătatea omului.

Fiecare menaj ar trebui să participe la recuperarea și reciclarea utilajelor uzate. În Polonia și în Europa se formează sau există deja niște sisteme de colectare a utilajelor uzate, în cadrul căruia toate punctele de vânzare ale utilajelor citate sunt obligate să primească utilajele uzate înapoi. În plus, există și punctele specializate în colectarea asemenea utilajelor.

DEFECȚIUNI TIPICE ȘI ÎNDEPĂRTAREA ACESTORA:

PROBLEMĂ	CAUZĂ POSIBILĂ	SOLUȚIE
Ferăstrăul nu funcționează.	Lipsă alimentare, deteriorare motor sau comutator.	Verificați nivelul de încărcare al bateriei, în cazul în care este necesar încărcați sau schimbați cu una nouă. Dacă unealta electrică nu funcționează în continuare, trebuie să o trimiteți la service pentru reparații la adresa indicată pe fișa de garanție.
Perturbații în funcționarea motorului.	Baterie descărcată. Perii de cărbune uzate.	Încărcați bateria. Schimbați periile de cărbune într-un service.



Politica firmei PROFIX este aceea de perfecționare continuă a produselor sale și de aceea firma își rezervă dreptul de modificare a specificației produsului fără înștiințarea anterioară. Imaginile indicate în instrucțiunile de utilizare sunt doar exemple și se pot diferi puțin de aspectul real al dispozitivului achiziționat.

Prezenta instrucțiune este protejată prin dreptul de autor. Copierea/inmulțirea fără acordul în scris al firmei PROFIX Sp. z o.o. este interzisă.

**PRIEŠ RADEKANT DARBĄ SUSIPAŽINKITE SU INSTRUKCIJA.**

Išsaugokite instrukciją, nes gali būti reikalinga vėliau.



ĮSPĖJIMAS! Prašome perskaityti visus įspėjimus dėl saugaus naudojimo pažymėtus simboliais ⚠ bei visas nuorodas dėl saugaus naudojimo.

Žemiau pateikiamų įspėjimų dėl saugos bei saugos nuorodų nesilaikymas gali būti elektros smūgio, gaisro ir/arba sunkių kūno sužalojimų priežastimi. Išsaugokite visus įspėjimus ir visus saugos nuorodas, kad vėliau būtų galima jais pasinaudoti.

Žemiau pateiktuose įspėjimuose sąvoka „elektros prietaisas“ apibūdina elektros prietaisą maitinamą elektros energija iš elektros tinklo (maitinimo laidas) arba elektros prietaisą maitinamą akumuliatoriumi (belaidis).



ĮSPĖJIMAS! Bendri įspėjimai dėl saugaus įrankio naudojimo.

Sauga darbo vietoje:

- Darbo vietoje turi būti švaresnis, tvarkinga bei geras apšvietimas. *Netvarka bei netinkamas darbo vietos apšvietimas gali būti nelaimingų atsitikimų priežastimi.*
- Nenaudoti elektros prietaiso sprogioje aplinkoje, kurioje yra degūs skysčiai, degios dujos arba dulkės. *Elektros prietaiso darbo metu susidaro elektros kibirkštis, todėl gali užsidegti esantis aplinkoje garai.*
- Darbo vietoje negali būti vaikų bei pašaliniai. *Dėmesio nukreipimas gali būti elektros prietaiso valdymo praradimo priežastimi.*



ĮSPĖJIMAS! Bendri įspėjimai dėl saugaus įrankio naudojimo.

Elektros sauga:

- Elektros prietaisų kištukai turi atitikti elektros lizdo tipui. Jokių būdu negalima keisti kištuko. Jeigu elektros prietaisas turi įžeminimą, negalima naudoti ilgutuvo. *Originalių kištukų bei lizdų naudojimas sumažina elektros smūgio riziką.*
- Venkite kūno kontakto su įžemintais paviršiais, tokiais kaip vamzdžiai, šildytuvai, centrinio šildymo radiatoriai bei šaldytuvais. *Kontaktas su įžemintais paviršiais didina elektros smūgio pavojų.*
- Saugokite prietaisą nuo lietaus ir drėgmės. *Jeigu vanduo patenka į elektros prietaisą, padidėja elektros smūgio rizika.*
- Nenaudokite laidų ne pagal paskirtį. Neneškite įrenginio paėmę už laido, netraukite už jo norėdami išjungti kištuką iš elektros lizdo. Laidą klokite taip, kad jo neveiktų karštis, jis neišsitemptų alyva ir jo nepažeistų aštrios detalės ar judančios prietaiso dalys. *Pažeistas laidas gali tapti elektros smūgio priežastimi.*
- Jeigu elektros prietaisas yra naudojamas lauke, laido prailginimui naudokite tik specialiai tam skirtus prailgintuvus. *Prailgintuvų skirtų darbui lauke naudojimas sumažina elektros smūgio riziką.*
- Įrankį rekomenduojama jungti į elektros maitinimo tinklą, turintį likutinės srovės įrenginį (RCD), kurio išjungimo srovė yra 30 mA arba mažesnė.
- Jeigu negalima išvengti elektros prietaiso naudojimo drėgnoje aplinkoje, naudokite RCD įrenginį. *RCD įrenginio naudojimas sumažina elektros smūgio riziką.*



ĮSPĖJIMAS! Bendri įspėjimai dėl saugaus įrankio naudojimo.

Žmonių sauga:

- Prietaisu negali naudotis asmenys (tame tarpe vaikai) turintis fizinius, jutimo arba psichinius negalavimus, taip pat asmenys neturintis darbo patirties arba nesuspajinę su prietaisu, nebent toks darbas vyksta stebint specialistui arba pagal prietaiso naudojimo instrukciją, kurį buvo perduota asmeniui atsakingu už saugą.
- Būkite atidūs, sutelkite dėmesį į tai, ką Jūs darote ir, dirbdami su elektros prietaisu, vadovaukitės sveiku protu. Nedirbkite su prietaisu, jei esate pavargę arba vartojote narkotikus, alkoholi ar medikamentus. *Akimirkšnio neatidumas naudojant prietaisą gali tapti rimtų sužalojimų priežastimi.*
- Dėvėkite tinkamą aprangą. Nešiokite apsauginius akinius. *Apsauginės aprangos, tokios kaip dulkių kaukė, neslystantis apsauginiai batai, šalmai, asinės, naudojimas sumažina sužalojimų grėsmę.*
- Saugokitės, kad neįjungtumėte prietaiso atsitiktinai. Prieš įjungiant kištuką į elektros lizdą ir/arba prieš akumuliatoriaus įjungimą bei prieš paėmimą arba pernešant prietaisą įsitikinkite, kad prietaisas yra išjungtas. *Prietaiso pernešimas su pirštu ant jungiklio arba prietaiso įjungimas į maitinimo tinklą gali tapti nelaimingo atsitikimo priežastimi.*
- Prieš įjungdami prietaisą pašalinkite raktus. *Prietaiso besisukančioje dalyje esantis įrankis ar raktas gali tapti sužalojimų priežastimi.*
- Nepasilenkite pernelyg į priekį. Dirbdami atsisotokite patikimai ir visada išlaikykite pusiausvyrą. *Patikima stovėseną ir tinkamą kūno laikysena leis geriau kontroliuoti prietaisą netikėtose situacijose.*
- Dėvėkite tinkamą aprangą. Nedėvėkite placių drabužių ir papuošalų. Saugokite plaukus, drabužius ir pirštines nuo besisukančių prietaiso dalių. *Laisvus drabužius, papuošalus bei ilgus plaukus gali įtraukti besisukančios prietaiso dalys.*
- Jeigu įrenginiai yra pritaikyti prijungimui prie dulkių nusiurbimo ir dulkių surinkėjo, įsitikinkite, kad šie įrenginiai tinkamai prijungti ir panaudoti pagal paskirtį. *Dulkių surinkėjų panaudojimas sumažina dulkių poveikio pasekmes.*
- Elektros įrankių naudojimo įgūdžiai, igyti dažno jų naudojimo metu, negali per daug padidinti Jūsų pasitikėjimo savimi ir leisti nesilaikyti saugos taisyklių. *Neatsargiai naudojantis elektros įrankiais, galima rimtai susižeisti per kelias sekundes.*



ĮSPĖJIMAS! Bendri įspėjimai dėl saugaus įrankio naudojimo.

Rūpestinga elektros prietaisų priežiūra ir naudojimas

- Neperkraukite prietaiso. Naudojamo prietaiso galingumas turi atitikti atliekamam darbui. *Tinkamai parinktas elektros prietaisas leis atlikti darbą gerai ir saugiai.*
- Nenaudokite elektros prietaiso su sugedusiu jungikliu. *Elektros prietaisas, kurio nebeegalima įjungti ar išjungti, yra pavojingas ir jį reikia remontuoti.*
- Prieš reguliuodami prietaisą, keisdami darbo įrankius arba prieš sandėliavimą ištraukite kištuką iš elektros lizdo ir/arba atjunkite akumuliatorių. *Ši saugumo priemonė apsaugos jus nuo netikėto prietaiso įsijungimo.*

- d) Nenaudojamą prietaisą sandėliuokite vaikams ir nemokantiems juo naudotis arba nesupažinusiems su instrukcija asmenims neprieinamoje vietoje. *Elektriniai įrankiai yra pavojingi, kai juos naudoja nepatyrę asmenys.*
- e) **Rūpestingai prižiūrėkite prietaisą.** Patikrinkite, ar besisukančios prietaiso dalys tinkamai veikia ir niekur nekliūva, ar nėra sulūžusių ar šiaip pažeistų dalių, kurios įtakotų elektros prietaiso veikimą. Jeigu yra gedimai suremontuokite prietaisą. *Daugelio nelaimingų atsitikimų priežastis yra blogai prižiūrimi elektros prietaisai.*
- f) **Pjovimo įrankiai turi būti aštrūs ir švarūs.** *Rūpestingai prižiūrėti elektros prietaisai su aštriais pjovimo įrankiais yra lengviau valdomi ir juos geriau kontroliuoti.*
- g) **Elektros prietaisą, papildomus įrankius, darbo įrankius ir t.t. naudokite tik pagal instrukciją, turėdami omeny darbo sąlygas bei atliekamo darbo pobūdį.** *Elektros prietaiso naudojimas ne pagal paskirtį gali sukelti pavojingas situacijas.*
- h) Jeigu prietaisas nebuvo naudojamas ilgesnį laiką arba yra naudojamas žemos temperatūros sąlygose, įjunkite jį kelioms minutėms be apkrovos tam, kad tepalas tinkamai pasiskirstytų pavaros mechanizme.
- i) **Elektros prietaisus valykite minkštu, drėgnu (ne šlapiu) skuduru ir muilu.** Nenaudokite benzino, tirpiklių bei kitų priemonių galinčių pažeisti prietaisą.
- j) **Elektros prietaisą laikykite/transportuokite tik po to, kai įsitikinsite, kad jo visos besisukančios dalys yra užblokuotos ir saugomos originaliomis, specialiai tam skirtomis detalėmis.**
- k) **Elektros prietaisą laikykite sausoje, apsaugotoje nuo dulkių bei drėgmės vietoje.**
- l) **Elektros prietaisą transportuokite originalioje pakuotėje, saugančioje nuo mechaninių pažeidimų.**
- m) **Rankenos ir kiti įrankio laikymo paviršiai turi būti švarūs, nealiejuoti ir netepaluoti.** *Jeigu rankenos ir kiti įrankio laikymo paviršiai yra šlūsūs, netikėtose situacijose negalėsite įrankio saugiai laikyti ir valdyti.*



ĮSPĖJIMAS! Bendri įspėjimai dėl saugaus įrankio naudojimo.

Remontas:

- a) **Garantinį ir pogarantinį elektros įrankių remontą atlieka PROFIX servisas, todėl garantuojama aukščiausia remonto darbų kokybė bei originalios atsarginės dalys.**



ĮSPĖJIMAS!

Darbo su elektros prietaisu metu laikykitės pagrindinių saugaus darbo nuorodų. Tokiu būdu išvengsite gaisro, elektros smūgio bei mechaninių susižalojimų pavojaus.



ĮSPĖJIMAS!

AKUMULIATORINIS TIESINIS PĮŪKLAS, specialūs saugaus naudojimo nurodymai:

- a) **Darbo metu, kai yra pavojus užkliudyti elektros laidus, elektros prietaisą laikykite už izoliuotus paviršius.** *Jeigu yra kontaktas su elektros laidais, tai visos metalinės prietaiso dalys taip pat yra poįtampa, o tai gali sukelti elektros smūgį.*
- b) **Elektros laidų lokalizavimui naudokite tinkamus lokalizavimo prietaisus arba kreipkitės į pastato**

administraciją. *Kontaktas su elektros laidais gali būti gaisro bei elektros smūgio priežastimi. Dujų vamzdžio pažeidimas gali sukelti sprogimą. Vandentiekio vamzdžių pažeidimas gali sugadinti aplinkoje esančius daiktus.*

- c) **Draudžiama dirbti su medžiagomis, kurių sudėtyje yra asbestas.** *Asbestas gali būti navikinių susirgimų priežastimi.*
- d) **Darbo vietoje turi būti švaru.** *Ypač pavojingi yra medžiagų mišiniai. Lengvos metalo dulksės gali užsidegti arba sprogti.*
- e) **Draudžiama prilaukti apdorojamąją medžiagą rankomis arba koja.** *Apdorojamas elementas turi būti gerai pritvirtintas, pav. specialias gnybtas arba spauštuvuose. Įsitikinkite ar visi gnybtai yra užveržti bei patikrinkite ar nėra per daug laisvos vietos.*
- f) **Visada dėvėkite apsauginius akinius bei naudokite klausos apsaugos priemones.** *Jeigu yra būtinybė (dulksės) taip pat naudokite apsauginę kaukę.*
- g) **Atkreipkite dėmesį ar darbo pastovas (2) pjovimo metu glaudžiai susiliečia su apdorojamos medžiagos paviršiumi.** *Yra pavojus, kad ašmenys gali užstrigti. Užstrigę ašmenys gali lužti arba apdorojama medžiaga gali būti atmetama.*
- h) **Naudojamos ašmenys turi būti geros techninės būklės.** *Kreivi arba neaštrūs ašmenys gali lužti.*
- i) **Elektros prietaisą įjungti prieš tai, kol ašmenys spalies apdorojamąją medžiagą.** *Kitu atveju medžiaga gali būti atmetama, kai naudojamas prietaisais užstrigs apdorojamoje medžiagoje.*
- j) **Darbo metu elektrinį įrankį visuomet būtina laikyti abiem rankomis ir patikimai stovėti.** *Elektrinis įrankis yra saugiau valdomas, kai laikomas dviem rankomis.*
- k) **Rankas laikyti atokiau nuo pjovimo srities. Nedėkite rankų po apdorojamo daikto.** *Jeigu įvyks kontaktas su asmeniu, tai yra susižalojimo pavojus.*
- l) **Užbaigius darbą išjunkite elektros prietaisą.** *Ašmenis iš apdorojamos medžiagos ištraukite po to, kai jis baigs sukstis. Tokiu atveju išveskite nelaimingo atsitikimo.*
- m) **Išjungę įrankį šoniniu mygtuku, nestabdykite geležtės.** *Geležtė gali būti sugadinta, sulūžti arba atšokti.*
- n) **Pertraukę metu, prieš keičiant geležtę, prieš įrankio remonto, valymo ar reguliavimo darbus, atjunkite akumuliatorių.** *Prieš padėdami elektrinį įrankį būtina jį išjunkite ir palaukite, kol jo besisukančios dalys visiškai sustos.*



ĮSPĖJIMAS! Saugus akumuliatorių bei įkroviklių naudojimas.

Akumuliatorių naudojimas:

- a) **Naudokite akumulatorius atitinkančius gamintoju nurodytus reikalavimus.** *Akumulatorius neatitinkantis reikalavimus gali skilti, tai gresia kūno sužalojimais bei gaisru.*
- b) **DĖMESIO!** *Jeigu gėdo netinkamas parametras turintis akumuliatorius, gali susidaryti sprogstamosios dujos. Akumuliatorius laikykite atokiau nuo ugnies šaltinių bei užtikrinkite tinkamą vėdinimą įkrovimo metu. Draudžiama laikyti akumuliatorius aukštoje temperatūroje (tiesioginiuose saulės spinduliuose, arti kaitintuvų bei kitose vietose, kur temperatūra viršija 40C laipsnių).*

- c) Akumulatorius turi būti įkraunamas 15-25 °C temperatūroje.
- d) Naudokite tik gamintoju rekomenduojamą įkroviklį. *Kito tipo įkroviklio naudojimas sukelia gaisro pavojų.*
- e) Saugokite akumuliatorių nuo vandens ir drėgmės.
- f) Jeigu yra įkraunamas daugiau negu vienas akumulatorius, būtina padaryti 30 min. pertrauką tarp įkrovimų.
- g) Draudžiama atidaryti akumuliatorių.
- h) Esant nepalankioms sąlygoms iš akumulatoriaus gali išbėgti skystis; venkite kontakto su juo. Jeigu netyčia įvyks kontaktas su skysčiu, pažeistą vietą nuplaukite vandeniu. Jeigu skystis pataiko į akis, kreipkitės medicininės pagalbos. *Akumulatoriaus skystis gali sukelti odos sudirginimą ar nudegimą.*
- i) Kai akumulatorius nėra naudojamas, laikykite jį atokiau nuo metalinių daiktų, tokių kaip: sąvaržėlės, monetos, raktai, vynai, sraigčiai arba kiti metaliniai daiktai, kurie gali būti trumpojo sujungimo su akumulatoriaus gnybtais priežastimi. *Trumpasis sujungimas gali būti nudegimų arba gaisro priežastimi.*
- j) Draudžiama įmesti akumuliatorių įgnį.
- k) Draudžiama įkrauti pažeistą akumuliatorių.



Akumuliatorių įkraunamų daug kartų sudėtyje yra ličio, kuris yra kenksmingas aplinkai. Sunaudotus akumulatorius būtina utilizuoti atitinkamai aplinkos apsaugos reikalavimams. Tokiu atveju visiška iškraukite akumuliatorių, išimkite iš elektros prietaiso ir nuneškite į akumuliatorių utilizavimo tąską arba pridukite parduotuvėje, kurioje buvo nupirkta.

Įkroviklio naudojimas:

- a) Įkrovimui naudokite tik gamintoju rekomenduojamą įkroviklį. *Kito tipo įkroviklio naudojimas sukelia gaisro pavojų.*
- b) Draudžiama atidaryti arba atsukti įkroviklį.
- c) Įkroviklis skirtas naudojimui tik patalpose. *Saugokite jį nuo vandens ir drėgmės poveikio.*
- d) Kraukite temperatūroje nuo 15 iki 25 laipsnių.
- e) Negalima įdėti jokių metalinių elementų į įkrovimo agregatą.

TIESINIO PJŪKLO PASKIRTIS IR KONSTRUKCIJA

Tiesinis pjūklas – tai 20V akumulatoriumi maitinamas elektros įrankis. Jis skirtas medienos ir iš jos pagamintų medžiagų, plastiko, metalo, keraminių plokščių ir gumos pjaustymui ir išpjovimui. Galima pjauti tiesias ir lenktas linijas. Pjovimo procesas atliekamas ruošinio medžiagai pritaikyta geležte.

Įrankis nėra pritaikytas ilgam darbui nepalankiomis sąlygomis. Draudžiama naudoti prietaisą darbams reikalaujantis profesionalių prietaiso panaudojimo.

Draudžiama pjūklą naudoti kitiems nei čia nurodyti tikslams. Priešingu atveju garantija nebus taikoma, o gamintojas neatsakys už dėl to atsiradusią žalą.

Bet kokios prietaiso modifikacijos padarytos naudotoju atleidžia gamintoją nuo atsakomybės už žalą patirtas tokiu atveju naudotoju bei aplinkiniams.

Tinkamo pjūklo naudojimo taisyklės taip pat apima jo techninę priežiūrą, laikymą, transportavimą ir remontą.

Pjūklą galima remontuoti tik gamintojo nurodytose remonto dirbtuvėse. Akumuliatorius įrankius gali remontuoti tik atitinkamas kvalifikacijos turintis asmuo.

Nepaisant tinkamo prietaiso naudojimo negalima visiškai išvengti rizikos. Galimi rizikos faktoriai:

- Ašmenų prisilietimas darbo metu pjūklelio nepadengtoje dalyje;
- Apsišūtinimas keičiant ašmenis (darbo metu ašmenys labai įkaista ir tam, kad išvengti apsišūtinimo būtina naudoti apsaugines pirštines);
- Apdorojamo daikto arba jo dalių atmetimas;
- Ašmenų plyšis/lūžis;
- Klausos organų pažeidimas dėl klausos organus apsaugančių premonių nenaudojimo;
- Dirbant uždarose patalpose didelis keiksmingų dulkių kiekis.

KOMPLEKTAVIMAS:

- Akumulatorinis tiesinis pjūklas - 1 vnt.
- Ašmenys medienai - 1 vnt.
- Imbusinis raktas - 1 vnt.
- Aptarnavimo instrukcija - 1 vnt.
- Garantinis lapas - 1 vnt.

PRIETAISO ELEMENTAI:

Įrankio elementų numeriai atitinka 2–3 naudojimo instrukcijos puslapiuose esančias iliustracijas.

1. Ašmenys
2. Prispaudžiantysis padas
3. Ašmens laikiklis
4. Jungė
5. Pagalbinė rankena
6. Saugos mygtukas
7. Jungiklis
8. Pagrindinė rankena
9. Akumulatorius*
10. Akumulatoriaus fiksavimo mygtukas*
11. Imbusinis raktas
12. Pado tvirtinimo varžtai
13. Įkroviklis*
14. Adapteris*
15. Baterijos įkrovimo lygio indikatoriaus mygtukas*
16. Baterijos įkrovimo lygio indikatorius*

*Aprašyta arba parodyta įranga neįeina į standartinį komplektą. Visą papildomą įrangos asortimentą galite rasti mūsų kataloge.

TECHNINIAI DUOMENYS:

MODELIS	TJPS70	
Maitinimo įtampa	20 V d.c.	
Žingsnių dažnis be apkrovos	0-2800/min	
Žingsnio ilgis	22 mm	
Pjovimo diapazonas	mediena	100 mm
	plienas	10 mm
Svoris (su akumulatoriumi)	1,96 kg	
Akustinio slėgio lygis (LpA)	82,2 dB(A)	
Akustinio pajėgumo lygis (LwA)	93,2 dB(A)	
Matavimo paklaida K_{120r} , K_{120w}	3 dB(A)	
Vibracijos pagal EN 60745	lentos pjovimas $a_{h,g}$	18,067 m/s ²
	medinės sijos pjovimas $a_{h,wb}$	16,844 m/s ²
Matavimo paklaida K	1,5 m/s ²	
Rekomenduojami Li-ion 20V akumuliatoriai: TJ15AK (1,5Ah), TJ2AK (2Ah), TJ4AK (4Ah)		

Rekomenduojami įkrovikliai: **TJ3LD**(3-5h), **TJ1LD** (1h)

Pateiktas virpesių lygis yra reprezentatyvus pagrindiniams prietaisų panaudojimams. Jeigu elektros prietaisas bus panaudotas kitiems tikslams arba su kitais papildomais darbo įrankiais bei jeigu nebus tinkamai prižiūrimas, virpesių lygis gali skirtis.

Pateiktos aukščiau priežastys gali padidinti vibracijų lygį darbo metu. Būtina panaudoti papildomas priemones, saugančias naudotoją nuo vibracijų pasekmių, pav.: prietaiso ir darbo įrankių priežiūra, veiksmų eilės nustatymas.

Deklaruotos bendros vibracijos ir triukšmo vertės išmatuotos, taikant standartinį bandymo metodą, ir gali būti naudojamos įrankių lyginimui.

Deklaruotos bendros vibracijos ir triukšmo vertės gali būti naudojamos pradiniam poveikio vertinimui.

Įspėjimai:

Vibracija ir triukšmas elektros įrankio naudojimo metu gali skirtis nuo deklaruojamos vertės, kadangi tai priklauso nuo įrankio naudojimo būdo ir apdirbamo objekto.

Būtina apibrėžti operatoriaus darbo saugos priemones. Jos turi remtis poveikio vertinimu realioje įrankio naudojimo situacijoje (atsižvelgiant į visas darbo ciklo dalis: laiką, kuomet įrankis yra išjungtas ir kuomet veikia tuščia eiga, išskyrus jungiamo laiką).

PRIEŠ PRADEDANT DARBĄ:

Prieš kiekvieną naudojimą patikrinkite ar besisukančios įrenginio dalys tinkamai veikia bei nėra užblokuotos, įtrūkusios arba pažeistos, nes tai gali turėti įtakos tinkamam įrankio darbui. Jei įrankis sugedo, prieš naudojimą būtina jį suremontuoti.

■ Akumulatoriaus įkrovimas

DĖMESIO! Prietaisas pristatomas be akumulatoriaus ir įkroviklio. Atsižvelgiant į poreikius, galima įsigyti 1.5Ah **TJ15AK**, 2.0Ah **TJ2AK** arba 4.0Ah **TJ4AK** akumuliatorių bei norimą įkroviklį (**TJ3LD**, kurio įkrovimo laikas 3-5 valandos, arba **TJ1LD**, kurio įkrovimo laikas 1 valanda).

Įkrovimo lygį galima patikrinti, nuspaudus akumulatoriaus įkrovimo lygio mygtuką (15). Jeigu šviečia viena LED lemputė, tai reiškia žemą įkrovimo lygį, dvi lemputės rodo vidutinį įkrovimą, o trys reiškia pilną akumulatoriaus įkrovimą. Prieš naudojant, būtina įkrauti akumulatorius iki pilno įkrovimo.

Įkroviklis TJ1LD

Pirmojo įkrovimo **TJ1LD** įkrovikliu metu rekomenduojamas ne trumpiau nei 1 valandą trunkantis įkrovimas.

1. Nuspauskite akumulatoriaus fiksavimo mygtuką (10) ir iš pjūklo išimkite akumuliatorių (9) (žr. B pav.).
2. Prijunkite akumuliatorių (9) prie įkroviklio (13) (žr. C pav.).
3. Įkroviklio kištuką įjunkite į 220–240V, 50Hz elektros tinklo lizdą.

Įkroviklis TJ3LD

Pirmojo įkrovimo **TJ3LD** įkrovikliu metu rekomenduojamas ne trumpiau nei 5 valandas trunkantis įkrovimas.

1. Nuspauskite akumulatoriaus fiksavimo mygtuką (10) ir iš pjūklo išimkite akumuliatorių (9) (žr. B pav.).
2. Prijunkite akumuliatorių (9) prie įkroviklio (13) (žr. D pav.).
3. Įjunkite adapterio kištuką į įkroviklį.
4. Įjunkite adapterį (14) į 110-240V, 50-60Hz elektros tinklo lizdą.

■ Akumulatoriaus įkrovimo rodyklė

Ant įkroviklio šviečianti **žalia** LED lemputė reiškia, kad įkroviklis yra jungtas į elektros maitinimo šaltinį. Prijungus akumuliatorių, pradeda šviesti **raudona** lemputė, kuri informuoja apie įkrovimo procesą. Tai taip pat rodo mirgančios žalios akumulatoriaus LED lemputės, kurios informuoja ir apie esamą įkrovimo lygį.

Kuomet akumuliatorius bus visiškai įkrautas, užges raudona lemputė, o užsidegs žalia.

Kai įkrovimas baigtas, išjunkite įkroviklį ir išimkite akumuliatorių.

DĖMESIO! Įkrovimo metu akumuliatorius gali šiek tiek įkaisti. Tai normali su šiuo procesu susijusi situacija.

Ličio jonų akumuliatorių galima įkrauti bet kuriuo metu ir baterijos naudojimo laikas nesutrumpėja. Taip pat dėl įkrovimo proceso nutraukimo akumuliatorių negresia gedimas.

PARUŠĪMAS DARBU:

Prieš pradėdami medienos, drožlių plokščių, statybinių medžiagų ir pan. pjovimą, patikrinkite, ar jose nėra pašalinių elementų (vinių, varžtų ir pan.). Tuomet galite pjauti, naudodami atitinkamą geležtę.

■ Ašmenų montavimas (žr. E pav.)

Kardiniams pjūklui tinka visi prienami ašmenys su universaliu laikikliu 1/2". Dažniausiai prietaiso komplekte jau yra ašmenys ir priklausomai nuo paskirties gali skirtis jų dydis bei pjovimo dantų tipas. Ant ašmenų komplekto įpakavimo arba pridėtame informaciniame lapelyje gamintojas dažniausiai nurodo ašmenų paskirtį. Be to gali skirtis ašmenų įpakavimo spalvos, priklausomai nuo to kokioms medžiagos pjauti yra skirtos.

Ašmenys negali būti ilgesni negu planuojamo pjaustimo ilgis. Kreivų linijų pjaustimui nedidelio radiuso naudokite plonus ašmenis.



DĖMESIO! Prieš geležtės tvirtinimą ir prieš bet kokius priežiūros darbus išrankio ištraukite akumuliatorių.

Tvirtindami geležtę, mūvėkite apsaugines pirštines. Palietę geležtę, galite susižeisti.

- Maždaug 45° pasukite laikiklio jungę (4) rodyklės kryptimi ir prilaikykite ją toje padėtyje.
- Įkiškite pasirinktą geležtę (1) į laikiklį (3). Paleiskite laikiklio jungę (4), kuri automatiškai užfiksuos geležtę.

DĖMESIO! Patikrinkite, ar geležtė yra gerai įstatyta. Per laisva geležtė gali iškristi ir sužeisti su įrankiu dirbantį asmenį.

- Yra galimybė naudoti ašmenis apskutas 180° kampu (dantimis į viršų) (žr. F pav.).

■ Ašmenų demontavimas

DĖMESIO! Atjunkite prietaisą nuo maitinimo šaltinio.

- Ištraukite geležtę, tuo pat metu pasukdami laikiklio jungę (4) rodyklės kryptimi. Būkite atsargūs, jeigu geležtė yra įkaitusi.

Sulūžusią geležtę galima ištraukti tokiu būdu:

- Įrankį palenkite žemyn, pasukite jungę (4) ir pakratykite pjūklą aukštyn ir žemyn. Sulūžusios geležtės antgalis turėtų iškristi iš laikiklio.

■ Prispaudžiantysis padas

Atitinkamai pastumiant, prispaudžiantįjį padą (2) galima pritaikyti naudojami geležtei ir pjovimo tipui. (žr. A pav.).

DĖMESIO! Atjunkite prietaisą nuo maitinimo šaltinio.

- Pridedamu šešiakampi raktu (11) atsukite pado tvirtinimo varžtus

(12). Raktą rasite pagrindinės rankenos dešinėje pusėje esančiame dėkle. Nustatykite prispaudžiantįjį padą (2) norimoje padėtyje.

- Vėl prisukite varžtus (12) ir patikrinkite, ar prispaudžiantysis padas (2) yra tinkamai pritvirtintas.

APTARNAVIMAS:

■ Įjungimas / išjungimas

Norėdami įjungti elektros įrangą, visų pirma nuspauskite saugos mygtuką (6), esantį kairėje arba dešinėje rankenos (8) pusėje, o po to nuspauskite jungiklį (7).

Norėdami įrangą išjungti, paleiskite jungiklį (7).

■ Žingsninio variklio greičio reguliavimas

Stipriau arba lengviau spaudžiant jungiklį (7) galima reguliuoti greitį.

Spaudžiant lengvai jungiklį (7) gauname mažą greitį. Didinant spaudimo jėgą gauname didesnį greitį.

Variklio greitis priklauso nuo medžiagos bei darbo sąlygų bei galimą jį nustatyti atliekant bandymus.

Žingsnius būtina sumažinti jeigu ašmenys „uždedate“ ant apdorojamo daikto bei jeigu pjaunate aliuminį arba sintetines medžiagas.

DARBO NORUODOS:

DĖMESIO! Jeigu dirbate su statybinėmis medžiagomis, būtina laikytis visų teisinių nurodymų bei medžiagų gamintojų nurodymų.

Ašmenys visada turi būti ilgesni negu apdorojamo daikto pjūvis. Atsiranda atatrakos pavojus (žr. 1 pav.).

Jeigu ašmenys užstringa, nedelsiant išjunkite prietaisą.

Tinkamu prietaisu atitraukite pjaustimo spragą bei ištraukite užstrigusias ašmenis.

■ Išpjovimas (žr. G pav.)

Grąžtu išgręžti 20 mm skylę pjovimo paviršiuje. Įvesti ašmenį į skylę ir pradėti pjovimą. Išstumkite ašmenis į pjovimo angą bei pradėkite pjaustymą.

■ Giluminis pjovimas (žr. H pav.)



DĖMESIO! Giluminį pjovimą galima atlikti tik minkštoje medžiagoje tokiose, kaip mediena, gipsokartonas ir pan.!

Giluminiam pjovimui naudoti tik trumpus ašmenis.

Atremkite elektros prietaisą priekine pastovo dalimi (2) į apdorojamąjį daiktą ir įjunkite jį. Jeigu įrenginyje yra nustatomas žingsnių kiekis, tai būtina parinkti maksimalių jų skaičių.

Elektros prietaisą stipriai prispausti prie apdorojamos medžiagos ir lėtai smeigti ašmenį į medžiagą. Jeigu pastovas (2) visu paviršiumi guli ant apdorojamos medžiagos, toliau pjausti pagal numatytą pjovimo liniją.

■ Pagrindinės pjūklo naudojimo taisyklės

- Pjaukite medžiagą naudojant tolygų spaudimą; neleiskite, kad pjūklas būtų perkrautas;
- Pernelyg stiprus spaudimas gali sutrikdyti tolygų pjūklo judėjimą ir nutraukti pjaustimo procesą;
- Pjūklo pastovas visu paviršiumi turi liesti apdorojamos medžiagos;
- norėdami išpjauti kokios nors formos angą kietoje medžiagoje, tai būtina iš karto išgręžti maža skilutę, kas leis įdėti ašmenį. Kitu atveju yra grėsmė, kad ašmuo bus atmetas ir sulaužytas;
- Pjaunant formas aštriais kampais arba lanko pavidalo (nedidelis spindulis) formas geriausiai naudoti siaurus ašmenis;
- Dėl to, kad metalai įkaista pjaustimo metu, būtina naudoti aušinimo

medžiagas.

LAIKYMAS IR PRIEŽIŪRA:

Mašina turi būti laikoma vaikams neprieinamoje vietoje, švari, apsaugota nuo drėgmės ir apdulkinimo. Įrangą turi būti laikoma sąlygose, kur nekyla mechaninių pažeidimų rizika ir žalingas atmosferos poveikis. Akumulatoriaus niekuomet nelaikykite saulėje, prie radiatorių arba už stiklo.

DĖMESIO: Prieš pradėdami valymo ir priežiūros darbus, visuomet atjunkite akumuliatorių, o įkroviklio kištuką ištraukite iš elektros tinklo lizdo.

Reguliariai tikrinkite pjūklo korpusą tvirtinančius varžtus. Reikalui esant, juos prisukite. Po darbo rekomenduojama prapūsti visas ventiliacines angas ir ašmenų laikiklio suslėgtu oru. Tokiu būdu bus saugomi guoliai, pašalintos dulklės, kurios gali blokuoti variklį.

Prietaiso korpusą valykite drėgnu skuduru ir nedideliu muilo kiekiu ir po to išvalyti sausu skudurėliu.

Nenaudokite jokių valymo priemonių, tirpiklių, nes jie gali apgadinti plastikines dalis.

Saugokite, kad į įrankio vidų nepatektų vanduo.

Įkroviklį valykite tik sausu skudurėliu.

TRANSPORTAS:

Tiesinį pjūklą gabenkite ir laikykite nuo drėgmės, dulkių ir smulkių objektų jį saugančioje pakuotėje. Visų pirma, saugokite ventiliacijos angas. Smulkūs elementai, patenkantys į korpusą gali pažeisti variklį.

Jeigu akumuliatorius yra išimtas gabenimo arba laikymo periodui, patikrinkite, ar nebus akumulatoriaus kontaktų sujungimo. Iš lagaminėlio, įrankių dėžės arba transportavimo konteinerio išimkite metalines dalis (varžtus, vinis, sagtis, išmėtytus antgalius, vielas arba metalo drožles) ar kitokiu būdu užtikrinkite, kad akumuliatorius tokių elementų nelies.

GAMINTOJAS:

PROFIX Sp. z o.o., Marywilska 34, 03-228 Varšuva, Lenkija

Šis prietaisas atitinka šalies bei Europos reikalavimus bei visus saugos reikalavimus.

DĖMESIO! Atsiradus techninių problemų, kreipkitės į autorizuotą servisą. Prietaiso remontą gali atlikti tik kvalifikuotas personalas, naudojant tik originalias atsargines dalis.

PIKTOGRAMAI:

Paveikslėlių esančių prietaiso firminėje lentelėje ir informaciniuose lipdukuose paaiškinimas:



– «Prieš įjungdami perskaitykite naudojimo instrukciją!»



– «Akumuliatorius turi būti saugomas nuo aukštos temperatūros, pvz. nuo pastovaus saulės spindulių poveikio.»



– «Nejmeskite akumuliatorių į ugnį.»



– «Nejmeskite akumuliatorių į vandenį.»



– «Skirtas naudoti tik patalpų viduje.»

APLINKOS APSAUGA:



DĖMESIO: Pateiktas simbolis reiškia, kad panaudotus prietaisus draudžiama išmesti kartu su kitomis atliekomis (už pažeidimą gresia pinigine bauda). Panaudoti elektros prietaisai bei elektroninės dalis ir komponentai turi neigiamą poveikį aplinkai ir žmonių sveikatai.

Namų ūkis turėtų prisidėti prie panaudotos įrangos utilizavimo bei pakartotino medžiagų panaudojimo (perdirbimo). Lenkijoje ir Europoje yra kuriama arba jau veikia panaudotos įrangos surinkimo sistema. Todėl visi paminėtos įrangos pardavimo taškai yra įpareigoti priimti panaudotą įrangą. Be to yra specialūs panaudotos įrangos priėmimo taškai.

TIPIŠKI GEDIMAI IR JŲ ŠALINIMAS:

PROBLEMA	SPĖJAMA PRIEŽASTIS	PROBLEMOS SPRENDIMAS
Pjūklas neveikia.	Elektros maitinimo stoka, gedo variklis arba paleidimo jungiklis.	Patikrinti baterijos būklę bei jeigu reikia, pakeisti ją. Jeigu elektros prietaisas toliau neveikia, nuvežkite jį į techninio aptarnavimo servisą (adresą nurodytas garantiniame lape).
Variklis blogai veikia.	Išsikrovę baterija.	Įkrauti bateriją.
	Anglies šepetėliai susidėvėjo.	Pakeisti anglies šepetėlius serviso punkte.




PROFIX įmonė siekia tobulinti savo produktus, todėl gali keistis produktų specifikacijos. Apie šiuos pasikeitimus įmonė nėra įpareigota nepranešti. Paveikslėliai esantis aptarnavimo instrukcijoje tai tik pavyzdžiai bei gali skirtis nuo nusipirkto prietaiso.

Ši instrukcija yra apsaugojama autoriaus teise. Kopijavimas/plėtojimas be PROFIX Sp. z o.o. leidimo raštu draudžiamas.

**PŘED ZAHÁJENÍM POUŽÍVÁNÍ SE SEZNAMTE S TÍMTO NÁVODEM.**

Uchovávejte návod pro případné další použití.

**POZOR!** Přečtěte si všechny výstrahy týkající se bezpečnosti používání označené symbolem  a veškeré pokyny týkající se bezpečnosti používání.

Nedodržování uvedených bezpečnostních výstrah a bezpečnostních pokynů může být příčinou zásahu elektrickým proudem, požáru a/nebo závažných úrazů.

Uchovávejte výstrahy a pokyny týkající se bezpečnosti pro případné použití v budoucnosti.

V níže uváděných výstrahách pojem „elektronářadí“ znamená elektronářadí napájené z elektrické sítě (elektrickým vodičem) nebo elektronářadí napájené baterií (bezdrátové).

**VÝSTRAHA!** Všeobecné výstrahy týkající se bezpečného používání nářadí.**Bezpečnost na pracovišti:**

- Udržujte na pracovišti pořádek a zajistěte zde dobré osvětlení. Nepořídek a špatné osvětlení často zapříčiňují nehody.
- Nepoužívejte elektronářadí ve výbušném prostředí tvořeném hořlavými tekutinami, plyny nebo prachem. Elektronářadí vytváří jiskry, které by mohly zapálit prach nebo výpar.
- Nepouštějte děti ani jiné pozorovatele na místa, kde se používá elektronářadí. Rušení pozornosti může způsobit ztrátu kontroly nad elektronářadím.

**VÝSTRAHA!** Všeobecné výstrahy týkající se bezpečného používání nářadí.**Elektrická bezpečnost:**

- Zástrčky nářadí musí odpovídat zásuvkám. Nikdy žádným způsobem nepředělávejte zástrčky. V případě elektronářadí, které má vodič s ochranným uzemněním, nepoužívejte žádné prodlužovačky. Původní nepředělávané zástrčky a zásuvky snižují riziko zásahu elektrickým proudem.
- Vyvarujte se dotýkání uzemněných ploch nebo takových, které jsou spojené s hmotou, jako jsou trubky, ohřívače, radiátory ústředního topení a chladničky. V případě dotýkání takových ploch a předmětů roste riziko zásahu elektrickým proudem.
- Nevystavujte elektronářadí na působení deště nebo vlhka. Pokud by se do elektronářadí dostala voda, roste riziko zásahu elektrickým proudem.
- Kabely se nesmí žádným způsobem namáhat. Nikdy nepoužívejte kabel k nošení, tažení elektronářadí nebo k vytahování zástrčky ze zásuvky. Kabel musí být umístěn daleko od zdrojů tepla, oleje, ostrých hran nebo pohyblivých částí. Poškozené nebo propletené kabely zvyšují riziko zásahu elektrickým proudem.
- V případě, že se elektronářadí používá venku, je třeba prodlužovat elektrické kabely prodlužovací určenými na práci venku. Používání prodlužovače určeného do venkovního prostředí snižuje riziko zásahu elektrickým proudem.
- Doporučuje se připojení zařízení k elektrické síti vybavené proudovým chráničem (RCD) s vypínacím proudem 30mA nebo menším.

- Pokud je nezbytné použití elektronářadí ve vlhkém prostředí, je třeba použít jako ochranu proudový chránič (RCD). Použití RCD snižuje riziko zásahu elektrickým proudem.

**VÝSTRAHA!** Všeobecné výstrahy týkající se bezpečného používání nářadí.**Osobní bezpečnost:**

- Toto zařízení nesmí používat osoby (včetně dětí) s omezenou fyzickou, smyslovou nebo psychickou schopností, nebo osoby, které nemají odpovídající zkušenosti nebo znalosti zařízení, leda že je používají s příslušným dozorem, nebo v souladu s návodem na používání zařízení, který jim předají osoby zodpovědné za jejich bezpečnost.
- Při používání elektronářadí je třeba být předvídatý, pozorovat, co se děje, a používat zdravý rozum. Nepoužívejte elektronářadí, pokud jste unavení nebo pod vlivem drog, alkoholu nebo léků. Chvilé nepozornosti při práci s elektronářadím může způsobit závažné osobní úrazy.
- Je třeba používat osobní ochranné prostředky. Je třeba vždy používat ochranné brýle. Používání v příslušných podmínkách takových ochranných prostředků, jako je protiprachová respirační maska, protiskluzová obuv, přilba nebo chrániče sluchu, snižuje nebezpečí osobních úrazů.
- Je třeba se vyhnout neplánovanému spuštění. Před připojením k elektrickému zdroji a/nebo před zapojením baterie a než se nářadí zvedne, nebo přeneše, je třeba se ujistit, že je vypínač elektronářadí v poloze vypnuto. Přenášení elektronářadí s prstem na vypínači nebo připojení elektronářadí do sítě se zapojeným vypínačem může být příčinou nehody.
- Před spuštěním elektronářadí je třeba odstranit všechny klíče. Ponechání klíče v otáčející se části elektronářadí může způsobit poranění.
- Je zakázáno přilížit se naklánět. Po celou dobu musíte stát pevně a udržovat rovnováhu. Umožní Vám to dobře kontrolovat elektronářadí při nepředvídatelných situacích.
- Je třeba mít vhodné oblečení. Při práci nenoste volné oblečení ani bižuterii. Je třeba zajistit, aby Vaše vlasy, oblečení a rukavice byly v bezpečné vzdálenosti od pohyblivých částí. Volné oblečení, bižuterie nebo dlouhé vlasy se mohou zachytit do pohyblivých částí.
- Pokud je zařízení přizpůsobeno na napojení k vnějšímu odsávání prachu a pohlcovači prachu, ujistěte se, že jsou připojeny a řádně se používají. Použitím pohlcovačů prachu můžete omezit nebezpečí závislé na prašnosti.
- Neodvolte, aby vaše znalosti získané častým používáním elektronářadí způsobily, že se budete cítit sebejistě a začnete ignorovat bezpečnostní pravidla. Neopatrnost při činnosti může způsobit v zlomku sekundy závažný úraz.

**VÝSTRAHA!** Všeobecné výstrahy týkající se bezpečného používání nářadí.**Používání elektronářadí a péče o ně:**

- Elektronářadí se nesmí přetěžovat. Je třeba používat elektronářadí s výkonem vhodným pro provádění určité práce. Správné elektronářadí umožní lepší a bezpečnější práci se zátěží, na kterou bylo naprojektováno.

- b) Elektronářadí, u kterého nefunguje spínač, se nesmi používat. Každé elektronářadí, které nelze zapínat nebo vypínat spínačem, je nebezpečné a je třeba je opravit.
- c) Před provedením každého seřízení, výměny součástky nebo před skladováním odpojte zástrčku elektronářadí od zdroje elektrického proudu a/nebo odpojte baterii. Takový bezpečnostní postup omezuje riziko náhodného spuštění elektronářadí.
- d) Nepoužívané elektronářadí uchovávejte mimo dosah dětí a nedovoľte přístup osobám, které nejsou obeznámené s elektronářadím nebo s tímto návodem na používání elektronářadí. Elektronářadí může být nebezpečné v rukách nevyškolených uživatelů.
- e) Elektronářadí je třeba udržovat. Je třeba kontrolovat sousost nebo zaseknutí pohyblivých částí, praskliny součástí a veškeré další faktory, které by mohly ovlivnit činnost elektronářadí. Pokud zjistíte poškození, musíte elektronářadí před použitím opravit. Příčinou mnohých nehod je neodborná údržba elektronářadí.
- f) Řezací nástroje musí být ostré a čisté. Řádná údržba ostrých hran řezacích nástrojů snižuje pravděpodobnost zaseknutí a usnadňuje obsluhu.
- g) Elektronářadí, vybavení, pracovní nástroje apod. používejte v souladu s tímto návodem, při čemž zohledněte pracovní podmínky a druh prováděné práce. Používání jiným způsobem, pro který není elektronářadí určeno, může způsobit nebezpečné situace.
- h) V nízkých teplotách, nebo pokud se nářadí po delší dobu nepoužívá, doporučuje se zapnout elektronářadí bez zátěže po dobu několika minut za účelem řádného promazání mechanismu pohonu.
- i) K čištění elektronářadí používejte měkký, vlhký (ne mokry) hadřík a mýdlo. Nepoužívejte benzín, rozpouštědla a další prostředky, které by mohly poškodit zařízení.
- j) Elektronářadí je třeba skladovat / dopravovat až potom, co se ujistíte, že jsou veškeré jeho pohyblivé součásti zablockované a zajištěné proti odblokování s použitím původních součástek určených k tomuto účelu.
- k) Elektronářadí skladujte na suchém místě chráněném proti prachu a průniku vlhkosti.
- l) Doprava elektronářadí by měla probíhat v původním obalu tak, aby bylo chráněné proti mechanickému použití.
- m) Držáky a plochy uchopení udržujte čisté, nezmaštěné olejem a mazivem. Kluzké držáky a plochy uchopení neumožňují bezpečné držení nářadí a jeho plnou kontrolu v nečekaných situacích.



VÝSTRAHA! Všeobecné výstrahy týkající se používání nářadí.

Oprava:

- a) Záruční a pozáruční opravy svého elektronářadí provádí Servis PROFIX, což zaručuje nejvyšší kvalitu oprav a používání původní náhradních dílů.



VÝSTRAHA!

Při práci s elektronářadím vždy dodržujte základní pravidla bezpečnosti práce, abyste zamezili výbuchu požáru, zásahu elektrickým proudem nebo mechanickému úrazu.



VÝSTRAHA!

AKUMULÁTOROVÁ MEČOVÁ PILA, zvláštní pokyny týkající se používání zařízení:

- a) Během provádění prací, při nichž by mohl pracovní nástroj narazit na skryté elektrické vedení, držte elektronářadí za izolované plochy držáku. Styk s elektrickým vedením může způsobit předání napětí na kovové součástky elektronářadí, což by mohlo v důsledku způsobit úraz elektrickým proudem.
- b) Používejte vhodné vyhledávací nástroje na zjištění skrytých elektrických vedení, nebo požádejte o pomoc správce budovy. Styk s vedením, které je pod napětím, může vést k vzniku požáru nebo k úrazu elektrickým proudem. Poškození plynového potrubí může způsobit výbuch. Průnik do vodovodního potrubí způsobí věcné škody.
- c) Nezpracovávejte materiál obsahující azbest. Azbest způsobuje onemocnění nádorovou nemocí.
- d) Udržujte pracoviště čisté. Obzvláště nebezpečné bývají směsi materiálů. Prach z lehkého kovu se může vznítit nebo vybuchnout.
- e) Je zakázáno přidržovat obráběný předmět rukou nebo chodidlem. Obrobek je třeba dobře upevnit v upevňujícím zařízení nebo ve svěráku. Ujistěte se, že jsou všechny upevňující svorky stlačeny a zkontrolujte, zda v místech upevnění není nadměrná volnost.
- f) Vždy používejte ochranné brýle a chrániče sluchu. Používejte, pokud je to potřebné, ochrannou masku za účelem omezení ohrožení vdechování škodlivého prachu.
- g) Dávejte pozor, aby pracovní patka (2) během řezání přiléhala těsně k obráběnému předmětu. Existuje nebezpečí zaseknutí pilového listu. Zaseknutý pilový list se může zlomit nebo způsobit zpětný ráz.
- h) Používejte výhradně nepoškozené a bezvadné listy. Křivé nebo tupé listy se mohou zlomit nebo způsobit zpětný ráz.
- i) Elektronářadí je třeba spustit dříve, než přivedete k listu materiál. V opačném případě existuje nebezpečí zpětného rázu, protože se nástroj při rozjezdu zablokuje v materiálu.
- j) Elektronářadí držte při práci pevně oběma rukama a zajistěte si bezpečný postoj. Oběma rukama je elektronářadí vedeno bezpečněji.
- k) Dbejte na to, abyste měli ruce vždy mimo oblast řezu. Nepodsuňte je pod obráběný materiál. Při kontaktu s listem existuje nebezpečí poranění.
- l) Po ukončení práce je třeba nářadí vypnout. Pilový list musíte vytáhnout z obráběného materiálu až tehdy, když už je zcela nehybný. Takto zabráníte zpětnému rázu a budete moci elektronářadí bezpečně odložit.
- m) Po vypnutí nebrzdíte pilový list bočním protitlakem. Pilový list se může poškodit, zlomit nebo způsobit zpětný ráz.
- n) Baterii od stroje je třeba odpojit vždy během přestávky v práci, při výměně pilových listů, opravě, čištění nebo nastavování.



VÝSTRAHA! Bezpečné používání akumulátorů a nabíječek –

Používání akumulátorů:

- a) Je třeba používat výhradně akumulátory shodné se specifikací uvedenou výrobcem. V případě použití jiných

akumulátorů může dojít k prasknutí a rozpadu akumulátoru, úrazu nebo požáru.

- b) **POZOR: V případě poškození a nesprávného používání akumulátoru může dojít k uvolňování výbušných plynů. Akumulátor je třeba vždy udržovat v bezpečné vzdálenosti od zdroje ohně a zajistit vhodné větrání během nabíjení. Nesmíte jej nechat po delší dobu v prostředí, ve kterém je vysoká teplota (na prosluněných místech, poblíž radiátorů nebo kdekoli, kde je teplota vyšší než 40 stupňů).**
- c) **Nabíjení akumulátoru by mělo probíhat v rozsahu teplot 15-25 °C.**
- d) **Nabíjet je třeba výhradně nabíječkou doporučenou výrobcem. Použití nabíječky určené k nabíjení akumulátorů jiného druhu vytváří riziko vzniku požáru.**
- e) **Nevystavujte akumulátor na působení vody a vlhkosti.**
- f) **Pokud chcete nabíjet postupně více než jeden akumulátor, udělejte 30 minutovou přestávku mezi nabíjením.**
- g) **V žádném případě akumulátor neotevírejte.**
- h) **V nevhodných podmínkách může z akumulátoru unikat kapalina; zabraňte kontaktu s kapalinou. Pokud dojde náhodně ke styku uživatele s tekutinou, místo kontaktu je třeba umýt vodou. Pokud se kapalina dostane do očí, je třeba navíc hledat lékařskou pomoc. Tekutina, která se dostává z akumulátoru, může způsobit podráždění nebo popálení.**
- i) **V době, kdy se akumulátor nepoužívá, je třeba jej uchovávat v bezpečné vzdálenosti od takových kovových předmětů, jako jsou sponky na papír, mince, klíče, hřebíky, šrouby, nebo jiné malé kovové předměty, které by mohly způsobit zkrat akumulátoru. Zkrat akumulátoru může způsobit úraz nebo požár.**
- j) **Nevyhazujte akumulátor do ohně.**
- k) **Je zakázáno používat poškozený akumulátor.**



Akumulátory jsou určeny k opakovanému nabíjení, obsahují zdraví škodlivé Li - ion.

Po ukončení doby životnosti je třeba je likvidovat v souladu s předpisy o ochraně životního prostředí.

Za tímto účelem zcela vybijte akumulátor, vytáhněte jej z elektronářadí, předejte do místa likvidace akumulátorů nebo odevzdejte do prodejny, ve které jste provedli nákup.

Používání nabíječky:

- a) **Nabíjejte výhradně nabíječkou doporučenou výrobcem. Použití nabíječky určené k nabíjení akumulátorů jiného typu vytváří riziko vzniku požáru.**
- b) **Je zakázáno nabíječku rozšroubovat.**
- c) **Nabíječka je určená výhradně na práci uvnitř místnosti. Je zakázáno ji vystavovat na působení vody a vlhka.**
- d) **Nabíjejte pouze v rozsahu teplot 15-25 stupňů.**
- e) **Je zakázáno vkládat jakékoliv kovové předměty do nabíječky.**

STAVBA A URČENÍ MEČOVÉ PILY:

Mečová pila je napájena 20V akumulátorem.

Zařízení je určeno k provádění řezů a vyřezů ve dřevě a materiálech na bázi dřeva, umělé hmoty, kovu, keramických deskách a pryži. Je realizováno k provádění přímých i zakřivených řezů. Proces řezání je připraven s použitím vhodného pilového listu, přizpůsobeného k zpracování obráběného materiálu.

Zařízení není vhodné na dlouhodobou práci v těžkých podmínkách. Je zakázáno používat nářadí na provádění prací, které vyžadují použití profesionálního stroje.

Každé použití pily jinak, než je její výše uvedené určení, je zakázáno a způsobuje ztrátu záruky a ztrátu odpovědnosti výrobce za škody vzniklé z důsledku takového použití.

Jakékoliv změny v zařízení provedené uživatelem osvojují výrobce od odpovědnosti za poškození a škody vzniklé uživateli a okolí.

Správné použití pily se týká také údržby, skladování, dopravy a oprav.

Pilu lze opravovat výhradně ve výrobce určených servisních opravárnách. Akumulátorová zařízení by se měla opravovat pouze oprávněnými osobami.

I když se bude nářadí používat v souladu s jeho určením, nelze zcela vyloučit určité možnosti zbytkového rizika. Vzhledem ke konstrukci a stavbě stroje se mohou vyskytnout následující nebezpečí:

- Dotek listu během činnosti v nekrýtem prostoru pily;
- Popálenina při výměně listu (během práce se list velmi zahřívá, pro zamezení nebezpečí popálení je třeba při jeho výměně používat ochranné rukavice);
- Zpětný ráz zpracovávaného předmětu nebo jeho části;
- Prasknutí/zlomení listu;
- Poškození sluchu v případě nepoužívání nezbytné ochrany sluchu;
- Vdechování zdraví škodlivého poletavého prachu z řezaného materiálu v případě práce v uzavřených prostorech.

KOMPLETACE:

- Akumulátorová mečová pila - 1 ks.
- Pilový list na dřevo - 1 ks.
- Imbusový klíč - 1 ks.
- Návod na obsluhu - 1 ks.
- Záruční list - 1 ks.

SOUČÁSTI ZAŘÍZENÍ:

Číslování částí zařízení se vztahuje ke grafickému zobrazení umístěnému na stránkách 2-3 návodu na obsluhu:

1. Pilový list
2. Pracovní patka
3. Držák na pilové listy
4. Manžeta
5. Pomocný držák
6. Bezpečnostní tlačítka
7. Vypínač
8. Hlavní držák
9. Akumulátor*
10. Tlačítko pojistky baterie*
11. Imbusový klíč
12. Šrouby upevnění patky
13. Nabíječka*
14. Adaptér*
15. Tlačítko ukazatele úrovně nabití baterií*
16. Ukazatel úrovně nabití baterií*

* **Popsané nebo zobrazené vybavení není standardní. Kompletní sortiment dalšího vybavení můžete najít v našem katalogu.**

TECHNICKÉ ÚDAJE:

MODEL		TJPS70
Napětí přívodu napájení		20 V d.c.
Kmitočet kroků bez zátěže		0-2800/min
Délka skoku		22 mm
Rozsah řezu	Dřevo	100 mm
	Ocel	10 mm
Hmotnost (s akumulátorem)		1,96 kg
Hladina akustického tlaku (LpA)		82,2 dB(A)
Hladina akustického výkonu (LwA)		93,2 dB(A)
Tolerance měření K_{upr} , K_{wb}		3 dB(A)
Vibrace podle EN 60745	řezání prkna $a_{h,8}$	18,067 m/s ²
	řezání dřevěného trámu $a_{h,wb}$	16,844 m/s ²
Tolerance měření K		1,5 m/s ²
Doporučované akumulátory Li-ion 20V: TJ15AK (1,5Ah), TJ2AK (2Ah), TJ4AK (4Ah)		
Doporučované nabíječky: TJ3LD (3-5h), TJ1LD (1h)		

Uvedená úroveň vibrací platí pro základní použití elektronářadí. Pokud by bylo elektronářadí použito jinak nebo s jinými pracovními nástroji, a také pokud nebude prováděna dostatečná údržba, úroveň vibrací se může lišit od uvedené. Výše uvedené důvody mohou způsobit zvýšení vystavení vibracím během celé doby práce.

Je třeba uplatnit další bezpečnostní prostředky, jejichž účelem je ochrana obsluhy proti důsledkům vystavení vibracím, např.: údržbu elektronářadí a pracovních nástrojů, zajištění vhodné teploty rukou, určení pořadí pracovních úkonů.

Deklarovaná celková hodnota vibrací a deklarované hodnoty emisí hluku byly naměřeny standardními způsoby zkoušení a lze je používat pro účely srovnávání s jinými nářadími.

Deklarovaná celková hodnota vibrací a deklarované hodnoty emisí hluku lze využít při předběžném vyhodnocení vystavení.

Výstrahy:

Vibrace a emise hluku během skutečného používání elektronářadí se mohou lišit od deklarovaných hodnot v závislosti na způsobu, jakým je nářadí používáno, a především v závislosti na druhu obráběného předmětu.

Je třeba určit bezpečnostní prostředky na ochranu obsluhy, a to na základě odhadu skutečného vystavení během používání (při zohlednění všech částí operačního cyklu, jako je doba, po kterou je nářadí zapnuto, a doba, kdy je na volnoběhu, s výjimkou doby spouštění).

PŘED ZAČÁTKEM PRÁCE:

Před každým použitím je třeba zkontrolovat, zda pohyblivé části zařízení správně fungují a nejsou blokovány, prasknuty nebo poškozeny, což by mohlo ovlivnit správné fungování zařízení. Poškozené zařízení je třeba před použitím nechat opravit.

■ Nabíjení akumulátoru:

POZOR! Zařízení se dodává bez akumulátoru a nabíječky. V závislosti na potřebách lze dokoupit akumulátor 1.5Ah **TJ15AK**, 2.0Ah **TJ2AK** nebo 4.0Ah **TJ4AK** a vhodnou nabíječku **TJ3LD** (s dobou nabíjení 3-5 hodin) nebo **TJ1LD** (s dobou nabíjení 1 hodina).

Stav nabití lze zkontrolovat stlačením tlačítka ukazatele úrovně nabití baterie (15). Jedna rozsvícená LED dioda znamená nízkou úroveň nabití baterie, dvě svítící diody znamenají střední úroveň, a tři svítící diody

odpovídají úplnému nabití akumulátoru. Před použitím je třeba akumulátor zcela nabít.

Nabíječka TJ1LD

Pro první nabíjení nabíječky **TJ1LD** se doporučuje nabíjení trvajícím minimálně 1 hodinu.

1. Stlačit tlačítko pojistky akumulátoru (10) a vyjmout akumulátor (9) z pily (viz obr. B).
2. Zapojit akumulátor (9) do nabíječky (13) (viz obr. C).
3. Zapojte zástrčku nabíječky do síťové zásuvky 220-240 V, 50Hz.

Nabíječka TJ3LD

Pro první nabíjení s použitím nabíječky **TJ3LD** se doporučuje nabíjení po dobu minimálně 5 hodin.

1. Stlačit tlačítko pojistky akumulátoru (10) a vyjmout akumulátor (9) z pily (viz obr. B).
2. Zapojit akumulátor (9) do nabíječky (13) (viz obr. D).
3. Zapojit zástrčku adapteru do nabíječky.
4. Zapojit adapter (14) do elektrické zásuvky 110-240 V, 50-60 Hz.

■ Kontrolka nabíjení akumulátoru:

Zelené světlo LED diody na nabíječce informuje o tom, že je nabíječka připojena ke zdroji napájení. Po zapojení akumulátoru se rozsvítí **červená** dioda, která informuje, že probíhá nabíjení. Rovnoběžné totéž oznamují blikající zelené LED diody LED akumulátoru, které ukazují momentální úroveň nabití akumulátoru.

Když bude baterie zcela nabitá, červená dioda zhasne a rozsvítí se zelená.

Po ukončení nabíjení, odpojte nabíječku ze sítě a vyjměte akumulátor.

POZOR! Během nabíjení se může akumulátor mírně zahřát, to je běžný jev.

Akumulátor Li-ion lze bez zkrácení životnosti kdykoli nabít. Přerušení procesu nabíjení nepoškozuje akumulátor.

PŘÍPRAVA PRÁCI:

Před zahájením řezání dřeva, dřevotřísky, stavebních materiálů apod., je třeba zkontrolovat, zda v těchto materiálech nejsou cizí tělesa, jako jsou hřebíky, šrouby apod., a následně použít správný pilový list.

■ Montáž pilového listu (viz obr. E)

Do elektrické pily ocasky lze používat veškeré dostupné na trhu pilové listy s univerzálním upínáním 1/2".

Pilové listy nabízené výrobcí nejčastěji v sadách, v závislosti na svém určení se mohou lišit velikostí a druhem řezných zubů. Na obalu sady pilových listů nebo na připojeném letáku výrobce obvykle informuje o určení jednotlivých listů. Samotné pilové listy mohou být navíc označeny barvami, odlišné pro různé materiály určené k řezání.

List by neměl být delší než je třeba pro naplánované řezání. K řezu zakřivení s malým poloměrem je třeba používat úzké pilové listy.



POZOR! Před namontováním pilového listu a všemi prací údržby je třeba odpojit od zařízení baterii.

Při montování pilového listu je třeba používat ochranné rukavice. Při doteku pilového listu existuje nebezpečí poranění.

- Otočte manžetu držáku (4) o cca 45° ve směru šipky a přidrže ji v této poloze.
- Zasuňte zvolený pilový list (1) do držáku (3). Pustte manžetu držáku (4), která automaticky zablokuje pilový list.

POZOR! Je třeba zkontrolovat, zda pilový list je správně usazený. Volný pilový list by mohl vypadnout a zranit obsluhu.

- V závislosti na plánovaném použití existuje možnost namontovat pilový list otočený o 180° (zuby směrem nahoru) (viz obr. F).

■ Odmontování pilového listu

POZOR! Odpojte nářadí od zdroje napájení.

- Pokud chcete pilový list vyjmout, vytahujte jej a zároveň otáčejte manželou držáku (4) ve směru šípky. Zacházejte opatrně s rozehrátými pilovými listy.

Zlomený pilový list lze vyjmout následujícím způsobem:

- Nasměrujte nástroj dolů, otočte manželou (4) a zatfeste nářadíma nahoru a dolů. Dřík zlomeného listu by měl vypadnout z držáku.

■ Pracovní patka

Pracovní patku (2) lze přizpůsobit podle použitého pilového listu a druhu práce tak, že ji posunujete plynule na délku (viz obr. A).

POZOR! Odpojte nářadí od zdroje napájení.

- Povolte šroub upevnění patky (12) s použitím imbusového klíče (11) (klíč se nachází v schránce na pravé straně hlavního držáku) a nastavte patku (2) do požadované polohy.
- Opět dotáhněte šrouby (12) a zkontrolujte, zda je patka (2) řádně upevněná.

OBSLUHA:

■ Zapínání / vypínání

Pro zapnutí elektronářadí nejdříve stlačte tlačítko pojistky (6) na levé nebo na pravé straně držáku (8) a následně stlačte vypínač (7).

Za účelem vypnutí elektronářadí, je třeba vypínač (7) povolit.

■ Nařízení krokové rychlosti

Zvětšením nebo snížením tlaku na vypínač (7) lze plynule regulovat krokovou rychlost.

Mírný tlak na vypínač (7) dává nízkou krokovou rychlost. Zvýšený tlak zvyšuje krokovou rychlost.

Nezbytný počet kroků závisí na druhu materiálu a pracovních podmínkách a lze jej zjistit teprve praktickou zkouškou.

Snížení krokové rychlosti se doporučuje při nasazování pilového listu na obráběný předmět a také při řezání umělé hmoty a hliníku.

POKYNY TÝKAJÍCÍ SE PRÁCE:

POZOR! Při řezání lehkých stavebních materiálů je třeba dodržovat právní předpisy a doporučení výrobce materiálu.

Je třeba věnovat pozornost tomu, aby byl pilový list vždy delší, než je průřez zpracovávaného kusu. Existuje nebezpečí zpětného odrazu (viz obr. I).

V případě zaseknutí pilového listu v obráběném materiálu je třeba okamžitě elektronářadí vypnout.

Štěrbinu řezu mírně roztáhněte s použitím vhodného nástroje a pilový list vytáhněte.

■ Vyřezávání (viz obr. G)

S použitím vrtačky vyvrtejte 20 mm otvor ve vyřezávané oblasti. Zasuňte list pily do otvoru a zahajte řezání.

■ Zahlubovací řez (viz obr. H)



POZOR: Zahlubovacím řezem lze obrábět pouze měkké materiály jako je dřevo, sádrokartonové desky apod.!

K zahlubovacímu řezu se používají pouze krátké listy.

Umístěte elektronářadí předním okrajem pracovní patky (2) na obráběném předmětu a zapněte je. V případě elektronářadí s řízením

počtu skoků je třeba zvolit maximální počet skoků.

Silně přitlačte elektronářadí na obráběný předmět a začít s pomalým zahlubováním pilového listu do obráběného předmětu. Jak jenom bude patka (2) ležet celou plochou na obráběném předmětu, řezat dál podél požadované linie řezu.

■ Základní pravidla správného používání pily

- Materiál řežte s použitím mírného tlaku, nepřipustte, aby byla pila nadměrně zatížena;
- Nadměrný tlak pily může způsobit zpomalení nebo přerušení posuvně-zpětného pohybu, což vede ke zpomalení nebo přerušení postupu řezání;
- Během řezu musí patka pily celou plochou přilnout k obráběnému materiálu;
- Před vyřezáváním otvoru určitého tvaru ve tvrdých materiálech, je třeba nejdříve vyvrát otvor umožňující zasunutí pilového listu. V opačném případě existuje nebezpečí zpětného rázu a zlomení pilového listu;
- Při řezu linií vytvářejících ostrý úhel, nebo spojených obloukem s malým poloměrem, je třeba nejlépe použít úzké listy;
- Z důvodu zahřívání materiálu je třeba při řezání kovů nanášet podél linie řezu chladicí a mazací prostředek.

SKLADOVÁNÍ A ÚDRŽBA:

Stroj je třeba skladovat na dětem nedostupném místě, udržovat čistý, chránit proti vlhku a prachu. Podmínky uchovávání by měly vyloučit možnost mechanického poškození a vliv povětrnostních činitelů. Nikdy neuchovávejte akumulátory na sluníčku, při radiátorech nebo za oknem.

POZOR: Před zahájením čištění a údržby je třeba akumulátor odpojit od zařízení a vyjmout zástrčku nabíječky ze zásuvky.

Je třeba pravidelně kontrolovat stav vrutu upevňujících korpus pily. V případě potřeby je utáhněte.

Doporučuje se po práci profouknout stlačeným vzduchem ventilační otvory a držák pilového listu. Zabrání to poškození ložisek, odstraní prach zmožňující přísun vzduchu chladícího motoru.

Tělo stroje je třeba čistit čistými vlhkými hadříkem s malým množstvím mýdla a hned utírat dosucha.

Nepoužívejte žádné čisticí prostředky ani rozpouštědla; mohly by poškodit části zařízení vyrobené z umělé hmoty.

Je třeba dávat pozor, aby se dovnitř zařízení nedostala voda.

Nabíječku je třeba čistit pouze s použitím suchého hadříku.

DOPRAVA:

Mečovou pilu je třeba dopravovat a skladovat v obalu, který ji chrání proti vlhkosti, průniku prachu a drobných objektů, především je třeba chránit ventilační otvory. Drobné části, které by se dostaly dovnitř krytu, mohou poškodit motor.

Když vytahujete akumulátor ze zařízení na dobu dopravy nebo skladování, přesvědčte se, že nedojde ke zkratu kontaktů akumulátoru. Z kufříku, skříňky na nářadí nebo transportního kontejneru je třeba odstranit kovové části, jako jsou např. vruty, hřebíky, skoby rozházené bity, dráty nebo kovové třísky nebo jiným způsobem zabránit styku těchto prvků s akumulátorem.

VÝROBCE:

PROFIS s.r.o.;

ul. Marywilska 34, 03-228 Varšava, Polsko

Toto zařízení vyhovuje vnitrostátním i evropským normám a bezpečnostním požadavkům.

POZOR! V případě technických problémů kontaktujte, prosíme, oprávněný servis. Veškeré opravy musí provádět kvalifikovaní odborníci, s použitím původních náhradních dílů.

PIKTOGRAMY:

Vysvětlení ikon umístěných na firemním štítku a na informačních nálepkách na zařízení:



– «Před spuštěním zařízení si přečtěte návod na obsluhu!»



– «Chraňte akumulátor proti působení vysokých teplot, např. před trvalým ozářením sluncem.»



– «Nevyhazujte akumulátory do ohně.»



– «Nevyhazujte akumulátory do vody.»



– «K použití výhradně v interiérech.»

OCHRANA ŽIVOTNÍHO PROSTŘEDÍ:



POZOR: Zobrazený symbol znamená zákaz likvidace zařízení dohromady s jinými odpady (na porušení zákazu se vztahuje pokuta). Nebezpečné složky, které se nacházejí v elektrickém a elektrotechnickém vybavení mají negativní vliv na životní prostředí a lidské zdraví.

Domácnosti by se měly zapojit do získávání zpět a opětovného využívání (recyklace) starých elektrospotřebičů. V Polsku a v Evropě se tvoří nebo už existuje systém sběru elektroodpadu, v rámci kterého mají všechna prodejní místa elektrospotřebičů povinnost přijímat elektroodpad. Kromě toho existují sběrná místa pro elektroodpad.

MOŽNÉ PROBLÉMY A JEJICH ŘEŠENÍ:

PROBLÉM	MOŽNÁ PŘÍČINA	ŘEŠENÍ PROBLÉMU
Pila nefunguje.	Chybí napájení, je poškozen motor nebo vypínač.	Zkontrolujte stav akumulátoru, v případě potřeby jej nabijte nebo vyměňte na nový. Pokud elektronářadí nefunguje, třeba je odeslat do servisní opravy na adresu uvedenou v záručním listu.
Poruchy při práci motoru.	Vybitý akumulátor.	Nabijte akumulátor.
	Opotřebované uhlíkové kartáče.	Vyměňte uhlíkové kartáče v servisní opravě.




Politika firmy PROFIX je politikou průběžného zdokonalování výrobků, z toho důvodu si firma vyhrazuje právo změnit specifikaci výrobku bez předchozího informování. Obrázky, uvedené v návodu na obsluhu, jsou pouze příklady a mohou se lišit od skutečného vzhledu zakoupeného zařízení.

Tento návod je chráněn autorským zákonem. Jeho kopírování / rozmnožování bez písemného souhlasu společnosti PROFIX s.r.o. je zakázané.



PIRMS DARBA SĀKUMA NEPIECIEŠAMS IEPAZĪTIES AR ŠO INSTRUKCIJU.

Saglabā instrukciju vārbutējai turpmākai lietošanai.

BRĪDINĀJUMS! Nepieciešams izlasīt visus brīdinājumus apzīmētus ar simboliem , kuri attiecas uz lietošanas drošību un visus lietošanas drošības norādījumus.



Neievērojot zemāk uzrādītos drošības brīdinājumus un norādījumus attiecībā uz drošību var būt par elektriskās strāvas triecienu, ugunsgrēku un/vai nopietnu traumai iemesls.

Ievērot visus brīdinājumus un norādījumus attiecībā uz drošību, lai tos turpmāk varētu izmantot.

Zemāk uzrādītos brīdinājumus „elektroinstruments” nozīmē elektroinstrumentu, kurš tiek barots no elektriskā tīkla (ar barošanas vadu) vai elektroinstruments barots no akumulatora (bezvadu).



BRĪDINĀJUMS! Vispārējie instrumenta drošas lietošanu norādījumi.

Darba vietas drošība:

- Darba vietā nepieciešams uzturēt kārtību un labu apgaismojumu. Nekārtība un silks pagaismojums ir negadījumu iemesls.
- Nedrīkst lietot elektroinstrumentu sprāgstošā, viegli uzliesmojošā, gāzu putekļainā vidē. Elektroinstrumenta darbības laikā rodas dzirksteles, no kurām var aizdegties putekļi un tvaiki.
- Vietā, kur tiek lietoti elektroinstrumenti nevar atrasties bērni un novērotāji. Novērot uzmaniņu var zaudēt kontroli par elektroinstrumentu.



BRĪDINĀJUMS! Vispārējie instrumenta drošas lietošanu norādījumi.

Elektriskā drošība:

- Elektroinstrumenta kontaktdakšīnām jābūt pielāgotām pie kontaktlīdždzām. Nekad nekādā gadījumā nedrīkst mainīt kontaktdakšīņu. Nedrīkst lietot nekādas pagarinātājus gadījumā, ja elektroinstruments ir apgādāts ar vadu ar aizsardzības iezemējuma dzislu. Ja netiek darītas kontaktdakšīņu un kontaktlīdžu izmaiņas, tas samazina elektriskā triecienu risku.
- Nepieciešams izvairīties no iezemētām virsmām vai savienotām ar masu, kā piemēram caurules, sildītāji, centrālāpkaures radiatoru un dziesinātāji. Gadījumā, ja netiek kontakts ar iezemētām vai ar masu savienotām daļām pieaug elektriskās strāvas triecienu risks.
- Nedrīkst pakļaut elektroinstrumentus uz lietus vai mitruma iedarbību. Gadījumā, ja elektroinstrumentā iekļūst ūdens pieaug elektriskās strāvas triecienu risks.
- Nedrīkst pārslogot savienojuma vadus. Nekad nedrīkst lietot savienojuma vadu elektroinstrumenta pārnēsāšanai, vilkšanai vai izvilkt kontaktdakšīņu no kontaktlīdždzas aiz vada. Nepieciešams turēt savienojuma vadu tālu no siltuma avotiem, eļļainām, asām šķautnēm vai kustīgām daļām. Būjāti vai sapīti savienojuma vadi palielina elektriskās strāvas triecienu risku.
- Gadījumā, ja elektroinstruments tiek lietots ārpusē, savienojuma vadus nepieciešams pagarināt ar pagarinātājiem, kuri ir piemēroti darbam ārpusē. Lietojot pagarinātājus piemērotus darbam ārpusē samazinās elektriskās strāvas triecienu risks.
- Ieteicams ierīci pievienot pie elektriskā tīkla, kurš ir aprīkots ar

RCD slēdzi ar 30mA vai mazāku izslēgšanas strāvu.

- Gadījumā, ja ir nepieciešamība lietot elektroinstrumentu mitrā vidē, par sprieguma aizsardzību nepieciešams lietot strāvas starpības ierīci (RCD). Lietojot RCD samazinās elektriskās strāvas triecienu risks.



BRĪDINĀJUMS! Vispārējie instrumenta drošas lietošanu norādījumi.

Individuālā drošība:

- Šī ierīce nav pamērota lietot cilvēkiem (tai skaitā bērniem) ar ierobežotām fiziskām, jūtības un psihiskām spējām, vai cilvēkiem bez ierīces darbības pieredzes vai zināšanām, izņemot, ja tas notiek uzraudzībā vai saskaņā ar ierīces lietošanas instrukciju, ar kuru ir iepazinūšās par drošību atbildīgas personas.
- Elektroinstrumenta lietošanas laikā nepieciešams būt tālredzīgiem, novērot kas notiek un saglabāt skaidru saprātu. Nedrīkst lietot elektroinstrumentu noguruma laikā vai narkotisku vielu, alkohola vai zāļu iedarbībā. Neuzmanības mirklis strādājot ar elektroinstrumentu var radīt nopietnas ķermeņa traumas.
- Nepieciešams lietot individuālos aizsardzības līdzekļus. Vienmēr nepieciešams lietot aizsargbrilles. Lietojot attiecīgos apstākļos aizsardzības līdzekļus, tādas kā putekļu maskas, neslidošus apavus, ķiveres vai dzirdes aizsardzības līdzekļus, samazināsies individuālās traumas.
- Nepieciešams izvairīties no neparedzētām kustībām. Pirms pieslēgšanas pie barošanas avota un/vai pirms akumulatora pieslēgšanas kā arī pirms tam, kad paceļam vai pārceļam ierīci nepieciešams pārliecināties, ka elektroinstrumenta slēdzis atrodas izslēgšanas stāvoklī. Pārnēsāt elektroinstrumentu ar pirkstu uz slēdža vai barošanas tīklā pieslēgtu elektroinstrumentu pie ieslēgta slēdža var būt negadījuma iemesls.
- Pirms elektroinstrumenta palaišanas nepieciešams novākt visas atslēgas. Atslēga atstāta rotējošā elektroinstrumenta tuvumā var radīt individuālas traumas.
- Nedrīkst pārlieku tālu izliecties. Visu laiku nepieciešams stāvēt stabili un saglabāt līdzsvaru. Tas dos iespēju neparedzētās situācijās labāk kontrolēt elektroinstrumentu.
- Nepieciešams attiecīgi ģērbties. Nedrīkst nēsāt vaļīgus apģērbus vai rotas lietas. Nepieciešams turēt savus matu, apģērbu un cimdus tālu no kustīgām daļām. Vaļīgs apģērbs, rotas lietas vai gari mati var tikt aizķerti ar kustīgām daļām.
- Ja ierīce ir pielāgota ārējai putekļu sūkšanai un putekļu uzsūkšanai, nepieciešams pārliecināties, ka tie ir pieslēgti un pareizi lietoti. Lietojot putekļu sūcēju var samazināt putekļu ieelpošanas bīstamību.
- Nedrīkst pieļaut, lai iemaņas iegūtas bieži lietojot elektroinstrumentu samazinātu mūsu modrību un drošības noteikumu ignorēšanu. Bezrūpīga rīcība var izraisīt nopietnus ievainojumus sekundes laikā.




BRĪDINĀJUMS! Vispārējie instrumenta drošas lietošanu norādījumi.

Lietošana un gādība par elektroinstrumentu:

- Nedrīkst pārslogot elektroinstrumentu. Nepieciešams piemērot elektroinstrumentu veiktajam darbam. Pareizs

elektroinstruments nodrošinās labāku un drošāku darbu pie slodzes, kādam tas tika projektēts.

- b) **Nedrīkst lietot elektroinstrumentu, ja slēdzis to neieslēdz un neizslēdz.** *Katrs elektroinstruments, kuru nevar ieslēgt vai izslēgt ar slēdzi ir bīstams un to nepieciešams labot.*
 - c) **Nepieciešams atvienot elektroinstrumenta kontaktdakšīņu no barošanas avota un/vai atslēgt akumulatoru pirms tiek veikta jebkāda uzstādīšana, detaļu maiņa vai instrumenta glabāšana.** *Tādas drošības darbības reducē neparedzētu elektroinstrumenta palaišanu.*
 - d) **Nelietotu elektroinstrumentu nepieciešams glabāt bērniem nepieejamās vietās un nedrīkst atļaut personām, kuras nav iepazinušas ar elektroinstrumentu vai šo lietošanas instrukciju lietot elektroinstrumentu.** *Elektroinstrumenti ir bīstami neapmācītu lietotāju rokās.*
 - e) **Elektroinstrumentu nepieciešams konservēt.** *Nepieciešams pārbaudīt asu sakritību vai kustīgo daļu ieķīlēšanos, detaļu plīsumus un visus apstākļus, kuri varētu ietekmēt elektroinstrumenta darbu. Ja tiek konstatēts bojājums, elektroinstrumentu pirms lietošanas nepieciešams salabot. Daudzu negadījumu iemesls ir nepareiza elektroinstrumenta konservācija.*
 - f) **Griezējinstrumentiem jābūt asiem un tīriem.** *Attiecīgi uzturēti asi griezējinstrumenta asmeņi samazina ieķīlēšanās iespējas un atvieglo apkalpošanu.*
 - g) **Elektroinstrumentu, aprīkojumu, darba instrumentus un tml. nepieciešams lietot saskaņā ar šo instrukciju, ņemot vērā darba apstākļus un veicamo darbu.** *Lietot elektroinstrumentu tam neparedzētā veidā var novest pie bīstamām situācijām.*
 - h) **Zemās temperatūrās vai pēc ilgāka nelietošanas laika, ieteicams uz pāris minūtēm ieslēgt elektroinstrumentu bez slodzes, lai piedziņas mehānismā sāktu pareizi darboties smērējļa.**
 - i) **Elektroinstrumentu tīrīšanai lietot mikstu, mitru (ne slapju) drānu un ziepes.** *Nelietot benzīnu, šķīdinātājus un citus līdzekļus, kuri varētu sabojāt ierīci.*
 - j) **Elektroinstrumentu nepieciešams glabāt / transportēt iepriekš pārliecinoties, ka visas kustīgās daļas ir nobloķētas un nodrošinātas pret atbloķēšanos ar oriģināliem šim nolūkam paredzētiem elementiem.**
 - k) **Elektroinstrumentu nepieciešams glabāt sausā, no putekļiem un mitruma sargātā vietā.**
 - l) **Elektroinstrumenta transportēšanu jāveic oriģinālā iepakojumā, kurš pasargā no mehāniskiem bojājumiem.**
 - m) **Rokturus un satveršanas virsmas nepieciešams uzturēt tīras, bez eļļas un smēres.** *Neparedzētās situācijās slideni rokturi un satveršanas virsmas nedod iespēju droši turēt un kontrolēt instrumentu.*
-  **BRĪDINĀJUMS!** **Vispārējie instrumenta drošas lietošanu norādījumi.**
- Remonts:**
- a) **Savu elektroinstrumentu garantijas un pēcgarantijas remontus veic PROFIX serviss, kas garantē visaugstāko remontu kvalitāti kā arī tiek izmantotas oriģinālas rezerves**

daļas.



BRĪDINĀJUMS!

Darba laikā ar elektrisko instrumentu ieteicams vienmēr ievērot galvenos drošības principus, lai izvairītos no ugunsgrēka, elektriskās strāvas trieciena vai mehāniskām traumām.



BRĪDINĀJUMS!

AKUMULATORU ZOBENZĀĒĪS, ipašie ierīces lietošanas drošības norādījumi:

- a) **Veicot darbus, kur darba instruments varētu trāpīt uz slēptiem elektriskiem vadiem, elektroinstrumentu nepieciešams turēt pie izolētas roktura virsmas.** *Kontakts ar barošanas tīkla vadu var radīt sprieguma pārņemšanu uz elektroinstrumenta metāla daļu, kas var radīt elektriskās strāvas triecienu.*
- b) **Nepieciešams lietot attiecīgas meklēšanas ierīces, lai lokalizētu slēptus barošanas vadus vai lūgt objekta administrācijas palīdzību.** *Kontakts ar zem sprieguma atrodošiem vadiem var radīt ugunsgrēku un elektriskās strāvas triecienu. Gāzes vada bojājums var radīt sprādzienu. Ūdensvada bojājums rada materiālosaudzējumus.*
- c) **Nedrīkst apstrādāt azbestu saturošus materiālus.** *Azbests rada vēža slimību.*
- d) **Darba vietu nepieciešams uzturēt tīru.** *Materiālu maisījumi ir sevišķi bīstami. Metāla viegļi putekļi var aizdegties un eksplodēt.*
- e) **Neturiet zāgējamo priekšmetu ar roku un neatbaltiet to pret kāju.** *Apstrādājamo elementu nepieciešams labi nostiprināt stiprināšanas ierīcē vai skrūvspīlēs. Pārliecināties, ka visi stiprinājumi ir nofiksēti un verificēti, lai nebūtu pārāk liela brīvģājiena.*
- f) **Vienmēr nepieciešams lietot aizsargbrilles un dzirdes aizsardzības līdzekļus.** *Lietot, kad tas ir nepieciešams attiecīgus aizsargmasku, lai samazinātu kaitīgo putekļu ieelpošanu.*
- g) **Zāģēšanas laikā sekojiet, lai elektroinstrumenta balstplāksne (2) cieši piekļautos apstrādājamā priekšmeta virsmai.** *Zāģa asmens var ieķerties zāģējumā. Bloķēts asmens var salūzt un radīt atmešanu.*
- h) **Nepieciešams lietot tikai nebojātus asmeņus.** *Salocīti vai neasi asmeņi var salūzt un radīt atmešanas spēku.*
- i) **Elektroinstrumentu ieslēgt pirms asmeņu kontakta ar materiālu.** *Pretejā gadījumā pastāv atmešanas bīstamība, kad lietotais instruments iebloķējas apstrādājamā priekšmetā.*
- j) **Elektroinstrumentu darba laikā nepieciešams stipri turēt ar abām rokām un nodrošināt drošu darba stāvokli.** *Elektroinstrumentu drošāk vadīt turot abās rokās.*
- k) **Rokas nepieciešams turēt tālu no griešanas zonas.** *Nelikt tās zem apstrādājamā priekšmeta. Kontakta ar asmeni pastāv ievainošanās bīstamība.*
- l) **Pēc darba beigām elektroinstrumentu nepieciešams izslēgt.** *Asmeni drīkst izņemt no apstrādājamā materiāla tikai tad, kad ir nekustīgs. Tādā veidā nenotiks atmešana un elektroinstrumentu var droši nolikt.*

- m) Pēc instrumenta izslēgšanas **nemēģiniet** bremzēt zāga asmeni ar sānu spiedienu. Šādas rīcības dēļ zāga asmens var tikt bojāts vai salūzēt, kā arī var notikt atsitieni.
- n) Darba pārtraukumā, asmens maiņas laikā, remonta, tīrīšanas vai reģenerācijas laikā mašīnu atvienot no akumulatora. Pirms elektroinstrumenta novietošanas nogaidiet, līdz tas pilnīgi apstājas.



BRĪDINĀJUMS! Droša akumulatoru un akumulatoru lādētāju lietošana:

Akumulatoru lietošana:

- a) **Nepieciešams lietot akumulatorus tikai saskaņā ar ražotāja specifikāciju.** Citu akumulatoru lietošanas gadījumā var rasties akumulatora plisums un sabrukums, ķermeņa trauma vai ugunsgrēks.
- b) **UZMANĪBU: Akumulatora bojājuma vai nepareizas lietošanas rezultātā var notikt sprāgstošu gāzu izdalīšanās.** Akumulatoru nepieciešams vienmēr turēt tālu no uguns kā arī lādēšanas laikā nodrošināt atbilstošu ventilāciju. *Nedrīkst to atstāt uz ilgu laiku vidē, kur ir augsta temperatūra (saulainās vietās, siļģelementu tuvumā vai tur, kur temperatūra pārsniedz 40 grādu).*
- c) Akumulatora lādēšanu nepieciešams veikt 15-25°C temperatūras diapazonā.
- d) Lādēt akumulatoru nepieciešams tikai ar ražotāja ieteikto transformatoru. *Lietojot transformatoru piemēroti cita tipa akumulatoru baterijai rada ugunsgrēka rašanās risku.*
- e) **Sargāt akumulatoru no ūdens un mitruma.**
- f) **Ja gribam lādēt sekojoši vairākus akumulatorus, starp atsevišķiem lādējumiem nepieciešams izdarīt 30 minūšu pārtraukumu.**
- g) **Nekādā gadījumā nedrīkst akumulatoru atvērt.**
- h) **Nelabvēlīgos apstākļos no akumulatora var izdalīties šķidrums; nepieciešams izvairīties no kontakta ar šķidrumu. Ja lietotājs negaidīti saskarsies ar šķidrumu, kontakta vietu nepieciešams skalot ar ūdeni. Ja šķidrums nokļūst acīs, papildus nepieciešams meklēt medicīnisko palīdzību. No akumulatora izplūstošais šķidrums var radīt kairinājumu vai applaucesānos.**
- i) **Laikā, kad akumulatoru baterija netiek lietota, nepieciešams to glabāt tālu no metāla priekšmetiem, tādiem kā papīra spraudņiem, monētām, atslēgām, naglām, skrūvēm vai citiem maziem metāla elementiem, kuri varētu radīt akumulatora īssavienojumu. Akumulatoru īssavienojums var radīt applaucesānos vai ugunsgrēku.**
- j) **Nemest akumulatoru uguni.**
- k) **Nedrīkst lādēt bojātu akumulatoru.**



Akumulatori paredzēti daudzkārtējai lādēšanai, satur apkārtejai videi kaitīgo litiju.

Pēc lietošanas termiņa beigām tos nepieciešams utilizēt saskaņā ar apkārtes vides aizsardzības noteikumiem.

Šajā nolūkā pilnīgi izlietot akumulatoru, izņemt no elektroinstrumenta, nodot akumulatoru utilizācijas punktā vai veikalā, kurā tas nopirkts.

Lādētāja lietošana:

- a) **Lādēt akumulatoru nepieciešams tikai ar ražotāja ieteikto transformatoru.** *Lietojot transformatoru piemēroti cita tipa akumulatoru baterijai rada ugunsgrēka rašanās risku.*

- b) **Pievienoto lādētāju drīkst lietot tikai akumulatoru lādēšanai, kuri ir ar to piegādāti.** *Lādējot citus akumulatorus var notikt akumulatoru plisums vai sašķelšanās un ķermeņa ievainojums vai trauma vai arī ugunsgrēks.*
- c) **Lādētāja nedrīkst izjaukt.**
- d) **Lādētājs paredzēts darbam tikai telpu iekšpusē.** *To nedrīkst pakļaut ūdens un mitruma iedarbībai.*
- e) **Lādēt tikai 15-25 grādu diapazonā.**
- f) **Lādētājā nedrīkst likt nekādus metāla priekšmetus.**

ZOBENZĀGA UZBŪVE UN PIELIETOJUMS:

Zobenzāģis ir ierīce ar 20V akumulatora barošanu.

Ierīce paredzēta koka un līdzīgu materiālu, plastmasas, metāla, keramisko flīžu un gumijas griešanai un figūrgriešanai. Zobenzāģis piemērots taisnai un loka griešanai. Griešanas process tiek realizēts ar atbilstošu asmeni, piemērotu apstrādājamam materiālam.

Dotais elektroinstruments nav piemērots ilglaicīgiem darbiem smagos apstākļos. Nedrīkst lietot instrumentu darbos, kur nepieciešama profesionālo ierīču pielietošana.

Aizliegts lietot zāģi neatbilstoši augstāk uzrādītam pielietojumam, tas rada garantijas zaudēšanu kā arī ražotājs tādā gadījumā neatbild par radītiem zaudējumiem.

Jebkādas ierīces modifikācijas, kuras veic lietotājs atbrīvo ražotāju no atbildības par bojājumiem un zaudējumiem, kuri nodarīti lietotājam un apkārtejiem.

Pareiza zāģa lietošana attiecas arī uz konservāciju, glabāšanu, transportu un remontu.

Zāģi var remontēt tikai ražotāja noteiktos servisa punktos. Akumulatora ierīci var remontēt tikai pilnvarota persona.

Neskatoties uz pielietojumam atbilstošu lietošanu nevar pilnībā izslēgt atsevišķus paliekošo riska elementus. Ņemot vērā mašīnas konstrukciju un uzbūvi var rasties sekojošas bīstamības:

- Pieskārsšanās pie asmens darba laikā nepāreģēta zobenzāģa zonā;
- Applaucesānas mainot asmeni (darba laikā asmens ļoti sakarst, lai izvairītos no applaucesānas mainot asmeni nepieciešams lietot aizsargcimdus);
- Apstrādājamā priekšmeta vai tā daļas atmešana;
- Asmens plisums/salūšana;
- Dzirdes pasliktināšanās gadījumā, ja netiek lietoti dzirdes aizsardzības līdzekļi;
- Veselībai kaitīgā koka putekļu emisija veicot darbus slēgtās telpās.

KOMPLEKTĀCIJA:

- Akumulatoru zobenzāģis - 1 gab.
- Zāģa asmens kokam - 1 gab.
- Seškantu atslēga - 1 gab.
- Lietošanas instrukcija - 1 gab.
- Garantijas karte - 1 gab.

IERĪCES ELEMENTI:

Ierīces elementu numerācija attiecas uz uzrādīto grafisko zīmējumu instrukcijas 2-3.lapaspusē:

1. Zāģa asmens
2. Darba atbalsts
3. Asmeņu turētājs
4. Gredzens

5. Palīgrokturis
6. Drošības slēdzis
7. Slēdzis
8. Galvenais rokturis
9. Akumulators*
10. Akumulatora fiksācijas poga*
11. Seškantu atslēga
12. Atbalsta stiprināšanas skrūves
13. Lādētājs*
14. Adapters*
15. Baterijas uzlādes līmeņa indikatora poga *
16. Baterijas uzlādes līmeņa indikators*

***Aprakstītais vai uzrādītais aprīkojums neietilpst standarta komplektā. Papildus aprīkojuma pilnu klāstu var atrast mūsu katalogā.**

TEHNISKIE DATI:

MODEL	TJPS70	
Barošanas spriegums	20 V d.c.	
Gājiņa frekvence bez slodzes	0-2800/min	
Gājiņa garums	22 mm	
Griešanas diapazons	koks	100 mm
	tērauds	10 mm
Svars (ar akumulatoru)	1,96 kg	
Akustiskā spiediena līmenis (LpA)	82,2 dB(A)	
Akustiskās jaudas līmenis (LwA)	93,2 dB(A)	
Mērījumu izkliede $K_{p,arb}$ K_{vib}	3 dB(A)	
Vibrācija atbilstoši	dēļa griešana $a_{h,g}$	18,067 m/s ²
	koka sijas griešana $a_{h,wb}$	16,844 m/s ²
Mērījumu izkliede K	1,5 m/s ²	
Ieteicamie akumulatori Li-ion 20V: TJ15AK (1,5Ah), TJ2AK (2Ah), TJ4AK (4Ah)		
Ieteicamie lādētāji: TJ3LD (3-5h), TJ1LD (1h)		

Uzrādītais vibrācijas līmenis ir reprezentatīvs elektroinstrumenta pamata lietošanai. Ja elektroinstrumenti tiek lietoti citos nolūkos vai ar citiem darba instrumentiem, vai arī ja nebūs pietiekami konservēti, vibrācijas līmenis var atšķirties no uzrādītā. Augstāk uzrādītie iemesli var radīt vibrācijas ekspozīcijas palielināšanos visā darba laikā.

Nepieciešams realizēt papildus drošības līdzekļus, kuri pasargās operatoru no vibrācijas ekspozīcijas, piem.: Elektroinstrumenta un darba instrumenta konservācija, atbilstošas roku temperatūras nodrošināšana, darba operāciju veikšanas secības noteikšana.

Deklarētās kopējās vibrācijas vērtības un deklarētās trokšņa emisijas vērtības ir mērītas saskaņā ar standarta testa metodi, un tās var izmantot, lai savā starpā salīdzinātu instrumentus.

Sākotnējam iedarbības novērtējumam var izmantot deklarētās kopējās vibrācijas vērtības un deklarētās trokšņa emisijas vērtības.

Bridinājumi:

Vibrācijas un trokšņa emisija elektroinstrumenta faktiskā lietošanas laikā var atšķirties no deklarētajām vērtībām atkarībā no tā, kā tiek izmantoti instrumenti un kāds materiāls tiek apstrādāts.

Operatora aizsardzībai nepieciešams notiekt drošības līdzekļus, kuri pamatojas uz iedarbības novērtējumu faktiskajā lietošanas laikā (ņemot

vērē visas operatīvā cikla darbības daļas, kā piemēram laiku, kurā instruments ir izslēgts un kad strādā tukšgaitā, izņemot sprūda laiku).

PIRMS DARBĪBAS:

Pirms katras lietošanas nepieciešams kontrolēt, vai pareizi funkcionē un nav bloķētas vai iepīlīušas un bojātas ierīces kustīgās daļas, kas varētu iespaidot pareizu ierīces funkcionēšanu. Bojātu ierīci pirms lietošanas nepieciešams nodot labošanai.

■ Akumulatoru lādēšana

UZMANĪBU! Ierīce tiek piegādāta bez akumulatora un lādētāja. Atkarībā no nepieciešamības var nopirkt akumulatoru 1.5Ah **TJ15AK**, 2.0Ah **TJ2AK** vai 4.0Ah **TJ4AK** kā arī atbilstošu lādētāju **TJ3LD** (ar lādēšanas laiku 3-5 stundas) vai **TJ1LD** (ar lādēšanas laiku 1 stunda).

Lādēšanas līmeni var pārbaudīt nospiežot baterijas lādēšanas līmeņa taustiņu (15). Viena degoša LED diode atbilst zemam baterijas uzlādes līmenim, divas degošas diodes nozīmē vidēju līmeni, bet trīs degošas diodes atbilst pilnam akumulatora uzlādes līmenim. Pirms lietošanas akumulatoru nepieciešams pilnībā uzlādēt.

Lādētājs TJ1LD

Izmantojot lādētāju **TJ1LD** pirmo lādēšanu ieteicams veikt minimums 1 stundu.

1. Nospiežot akumulatora bloķēšanas pogu (10) un no zaģa izņemt akumulatoru (9) (skat. zīm. B).
2. Pievienot akumulatoru (9) lādētājā (13) (skat. zīm. C).
3. Lādētāja kontaktdakšīņu pievienot 220-240V, 50Hz tīkla ligzdā.

Lādētājs TJ3LD

Izmantojot lādētāju **TJ3LD** pirmo lādēšanu ieteicams veikt minimums 5 stundas.

1. Nospiežot akumulatora bloķēšanas pogu (10) un no zaģa izņemt akumulatoru (9) (skat. zīm. B).
2. Pievienot akumulatoru (9) lādētājā (13) (skat. zīm. D).
3. Lādētājam pievienot adaptera kontaktdakšīņu.
4. Pievienot adapteri (14) 110-240V, 50-60Hz tīkla ligzdā.

■ Baterijas lādēšanas signalizācija

Zaģā degošā LED diode informē, ka lādētājs ir pieslēgts pie barošanas avota. Pēc akumulatora pievienošanas iedegsies **sarkanā** diode, kura informē, ka notiek lādēšana. To arī signalizē akumulatora mirgojošās zaģās LED diodes, uzrādot baterijas uzlādes līmeni.

Kad baterija būs pilnībā uzlādēta sarkanā diode nodzisis un iedegsies zaģā diode.

Pēc lādēšanas beigām atvienot lādētāju no tīkla un izņemt akumulatoru.

UZMANĪBU! Lādēšanas laikā akumulators var nedaudz sasilt, tā ir normāla parādība.

Litija-jonu akumulatoru var lādēt jebkurā brīdī, tādā veidā netiek saīsināta tā ilgmūžība. Lādēšanas procesa pārtraukšana nerada akumulatora elementu bojājuma risku.

SAGATAVOŠANA DARBAM:

Pirms koka, skaidu plākšņu, būvmateriālu un tml. griešanas nepieciešams pārbaudīt, vai tie nesatur svešus ķermeņus, tādus kā naglas, skrūves un citus, un pēc tam izmantot atbilstošu asmeni.

■ Asmens montāža (skat. zīm. E)

Zobenzāģim var izmantot visādā veida tirdzniecībā pieejamus asmeņus ar universālo stiprināšanu 1/2".

Ražotāji visbiežāk piedāvā asmeņu komplektus atkarībā no pielietojuma, tie var atšķirties ar izmēru un griezējzobu veidu. Uz asmeņu komplektu iepakojuma vai ražotāja pievienotā skrejlapā parasti tiek informēti par konkrēto asmeņu pielietojumu. Paši asmeņi bez tam var būt apzīmēti ar krāsām, dažādām priekš dažādiem griešanai paredzētiem materiāliem.

Asmenim nevajadzētu būt garākam nekā nepieciešama ielānātā griešana. Līklīnijas ar maziem rādīsiem griešanas gadījumā nepieciešams izmantot šaurus asmeņus.



UZMANĪBU! Pirms asmens montāžas un visiem konservācijas darbiem no ierīces nepieciešams atvienot akumulatoru.

Asmens montāžas laikā nepieciešams lietot aizsargcimdus. Pieskaroties pie asmens pastāv ievainošanās bīstamība.

- Pagrieziet patronas gredzenu (4) par apm. 45° bultiņas virzienā un turēt šajā pozīcijā.
- Iebidīt izvēlēto asmeni (1) patronā (3). Palaist patronas gredzenu (4), kurš automātiski fiksēs asmeni.

UZMANĪBU! Nepieciešams kontrolēt vai asmens ir labi stiprināts. Valfīgs asmens var izkrist un ievainot operatoru.

- Atkarībā no pielietojuma pastāv iespēja uzstādīt asmeni pagrieztu par 180° (ar zobiem uz augšu) (skat. zīm.F).

■ Asmens demontāža

UZMANĪBU! Atvienot ierīci no barošanas avota.

- Asmens izņemšanai, izvilkot to, vienlaicīgi bultiņas virzienā pagriežot patronas gredzenu (4). Ar sakarsētiem asmeņiem rīkoties uzmanīgi.

Salauztu asmeni var izņemt sekojoša veidā:

- Virzīt ierīci uz leju, pagriežot gredzenu (4) un pakratīt ierīci uz augšu un leju. Salauztā asmens kātam jāizkrit no patronas.

■ Darba atbalsts

Darba atbalstu (2) var piemērot izmantotam asmenim un apstrādes veidam, pārvietojot to pakāpeniski garenvirzienā (skat. zīm. A).

UZMANĪBU! Atvienot ierīci no barošanas avota.

- Atbrīvojot atbalsta stiprināšanas skrūves (12) ar pievienoto gala atslēgu (11) (atslēga atrodas starpliktuvē galvenā roktura labajā pusē) un uzstādīt atbalstu (2) vēlamā stāvoklī.
- Atkārtoti pieskrūvēt skrūves (12) un pārbaudīt vai atbalsts (2) ir atbilstoši piestiprināts.

DARBĪBA:

■ Ieslēgšana/Izslēgšana

Elektroinstrumentu ieslēdz vispirms nospiežot drošības slēdzi (6) roktura (8) kreisajā vai labajā pusē un pēc tam nospiežot slēdzi (7).

Elektroinstrumentu izslēdz atbrīvojot slēdzi (7).

■ Gaitas ātruma regulēšana

Palielinot vai samazinot spiedienu uz slēdzi (7) var pakāpeniski regulēt gaitas ātrumu.

Viegls spiediens uz slēdzi (7) rada mazu gaitas ātrumu. Palielināts spiediens gaitas ātrumu palielina.

Optimālais darba gājienu biežums ir atkarīgs no zāģējamā materiāla īpašībām un darba apstākļiem, un to var noteikt praktisku mēģinājumu ceļā.

Darba gājienu biežumu ieteicams samazināt, kontaktējot zāģa asmeni ar zāģējamo priekšmetu, kā arī, zāģējot plastmasu vai alumīniju.

DARBA NORĀDĪJUMI:

UZMANĪBU! Zāģējot vieglos būvmateriālus, ievērojiet šo materiālu ražotājfirmu sniegtos norādījumus un ieteikumus.

Raugieties, lai zāģa asmens vienmēr būtu garāks par zāģējamās caurules diametru. Pretējā gadījumā var notikt atsitiens (skat. zīm. I).

Gadījumā, ja zāģa asmens tiek iespiests materiālā, nekavējoties izslēdziet elektroinstrumentu.

Ar piemērotu instrumentu nedaudz paplašiniet zāģējumu un izvelciet elektroinstrumenta asmeni.

■ Izgriešana (skat. zīm. G)

Griešanas zonā ar urbjašašņu izurbt 20 mm caurumu. Ievadīt zobenzāģa zāģi caurumā un sākt izgriešanu.

■ Iedzilinošā griešana (skat. zīm. H)



UZMANĪBU! Iedzilinošā griešanas procesā var apstrādāt tikai mīkstus materiālus kā koks, ģipsa vai līdzīgas plāksnes! Iedzilinošai griešanai lietot tikai īsus asmeņus.

Atbalstīt elektroinstrumentu ar pamatnes (2) priekšējo daļu uz apstrādājamo priekšmetu un ieslēgt to. Elektroinstrumentos ar regulējamu gājienu skaitu izvelēties maksimālo gājienu skaitu.

Elektroinstrumentu stipri piespiest pie apstrādājamā priekšmeta un veikt lēnu asmens iedzilinošanos apstrādājamā priekšmetā. Kad visa pamatnes (2) virsma nogulsies uz apstrādājamo priekšmetu, tālāk griezt pa atzīmēto griešanas līniju.

■ Zobenzāģa pareizas izmantošanas pamatprincipi:

- Materiālu nepieciešams griezt lietojot mērenu spiedienu, nepieļaut pārmērīgu zobenzāģa pārslogošanu;
- Pārmērīgs spiediens uz zobenzāģi var radīt turp atpakaļ kustības palēlināšanos vai pārtraukšanu, kas noved līdz griešanas procesa palielināšanai vai pārtraukšanai;
- Griežot zobenzāģa pamatnei ar visu virsmu jāpiegūļ pie apstrādājamā materiāla;
- Caurumu griešanu cietos materiālos nepieciešams sākt ar cauruma izurbšanu, lai tāni varētu ielikt asmeni;
- Griežot asu šķautņu formas vai maza rādiusa lokus vislabāk nepieciešams lietot šaurus asmeņus;
- Metāla griešanas laikā ņemot vērā materiāla sakarsēšanu nepieciešams gar griešanas līniju uzklāt dzesēšanas-eļļošanas līdzekļus.

GLABĀŠANA UN KONSERVĀCIJA:

Mašīnu nepieciešams glabāt bērniem nepieejamā vietā, uzturēt tīru, sargāt no mitruma un putekļiem. Glabāšanas apstākļiem jānodrošina pret mehāniskiem bojājumiem un no atmosfēras apstākļu iedarbības. Akumulatorus nekad neturēt saulē, pie radiatoriem vai aiz stikla.

UZMANĪBU! Pirms tīrīšanas un konservācijas darbības sākuma akumulatoru vienmēr nepieciešams atvienot no ierīces un izņemt lādētāja kontaktāksni no barošanas kontaktligzdas.

Nepieciešams regulāri kontrolēt zāģa korpusa stiprināšanas skrūvju stāvokli. Nepieciešamības gadījumā pieskrūvēt.

Pēc darba ieteicams ar nospiesto gaisu izpūst ventilācijas atveres un asmeņu turētāju. Tas novērsīs gultņu bojājumu, likvidēs dzinēja dzesējošā gaisa bloķēšanu.

Korpusu nepieciešams tīrīt ar mitru nedaudz ziepajūnu drānu, pēc tam

slaucīt līdz sausumam.

Nelietot nekādus tīrīšanas līdzekļus un šķīdinātājus; tie var sabojāt ierīces plastmasas daļas.

Nepieciešams uzmanīties, lai ierīcē neiekļūtu ūdens.

Lādētāju nepieciešams tīrīt lietojot tikai sausu drānu.

TRANSPORTS:

Zobenzāģi transportēt un glabāt iepakojumā, kurš sargā pret mitrumu, putekļiem un smalkiem elementiem, īpaši nepieciešams nodrošināt ventilācijas atveres. Smalkie elementi, kuri iekļūst korpusa iekšienē var sabojāt dzinēju.

Izņemot akumulatoru no ierīces, transportēšanas vai uzglabāšanas laikā nepieciešams pārliicināties, ka nenotiks akumulatora kontaktu izzavienojums. No instrumentu kofera, kastes vai transportēšanas tvertnes nepieciešams likvidēt metāla daļas, kā piem. skrūves, naglas, sprādze, izkaisītus bitus, stieples vai metāla skaidas, vai citā veidā aizsargāt šo elementu saskaršanos ar akumulatoru.

RAŽOTĀJS:

Prefix SIA,

Marywilska iela 34,

03-228 Varšava, Polija

Šī ierīce ir saskaņā ar valsts un Eiropas normām, ka arī drošības prasībām.

UZMANĪBU! Tehnisku problēmu gadījumā lūdzam kontaktēties ar pilnvaroto servisa punktu. Visāda veida remontus veic kvalificēt personāls, lietojot oriģinālas rezerves daļas.

PIKTOGRAMMAS:

Apzīmējumu skaidrojums, kuri atrodas uz plāksnītes un informācijas uzlīmēm:



– «Pirms ieslēgšanas un darba sākuma nepieciešams iepazīties ar šo instrukciju.»



– «Sargājiet akumulatoru no karstuma, piemēram, no ilgstošas atrašanās saules staros vai uguns tuvumā.»



– «Izmantotos akumulārus nedrīkst mest ugunī.»



– «Izmantotos akumulārus nedrīkst mest ūdenī.»



– «Ierīce ir paredzēta tikai lietošanai telpās.»

APKĀRTĒJĀS VIDES AIZSARDZĪBA:



UZMANĪBU: Uzrādītais simbols nozīmē, ka aizliegts novietot nolietoto ierīci kopā ar citiem atkritumiem (iespējams naudas sods). Bīstamās sastāvdaļas, kuras atrodas elektriskās ierīcēs negatīvi ietekmē uz apkārtējo vidi un cilvēku veselību.

Mājsaimniecībām jāņem dalība nolietoto ierīču atgūšanā un atkārtotā izlietošanā (reciklīgā). Polijā un Eiropā tiek radīta vai jau pastāv nolietoto ierīču savākšanas sistēma, kura ietvaros visiem augstāk minēto ierīču pārdošanas punktiem ir pienākums pieņemt nolietotās ierīces. Bez tam pastāv augstāk minēto ierīču savākšanas punkti.

POTENCIĀLĀS PROBLĒMAS UN TO ATRISINĀŠANAS VEIDI:

PROBLĒMA	IESPĒJAMĀIS IEMESLS	RISINĀJUMS
Žāģis nedarbojas.	Nav barošanas, bojāts dzinējs vai slēdzis.	Pārbaudīt baterijas stāvokli, nepieciešamības gadījumā uzlādēt vai apmainīt pret jaunu. Ja elektroinstruments joprojām nedarbojas, nepieciešams to nosūtīt remonta servisā uz garantijas kartē uzrādīto adresi.
Dzinēja darbības traucējumi.	Izlādēta baterija.	Īncārcaṭi baterija.
	Nolietotas ogliṡu sukas.	Schimbaṭi perile de cārbune ĩntr-un service.



Firmas PROFIX politika ir nepārtraukta savu produktu pilnveidošanas politika, tāpēc firma sev rezervē tiesības ievest izstrādājuma specifiskācijas izmaiņas bez iepriekšējas paziņošanas. Zīmējumi, kuri uzrādīti apkalpošanas instrukcijā kalpo tikai kā piemērs un var nedaudz atšķirties no iegādātās ierīces reālā izskata.

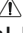
Šī instrukcija ir sargāta ar autortiesībām. Aizliegts to kopēt/pavairot bez PROFIX SIA rakstiskas atļaujas.



HASZNÁLAT ELŐTT OLVASSA EL EZEKET AZ UTASÍTÁSOKAT!

Tartsa meg ezt az útmutatót későbbi tájékozódás céljából!



FIGYELEM! Olvassa el a  szimbólummal jelzett, a munkavédelemmel kapcsolatos összes figyelmeztetést és a biztonságos használatra vonatkozó összes utasítást!

A következő biztonsági előírások be nem tartása miatt baleset, áramütés, tűzveszély és/vagy komoly sérülés fordulhat elő!

Őrizze meg az összes munkavédelmi figyelmeztetést és utasítást későbbi felhasználás céljából!

Az alábbi figyelmeztetések során használt „elektromos szerszám” kifejezés olyan szerszámot jelöl, melynek áramellátása hálózatról (tápkábel) vagy akkumulátorral (kábel nélkül) történik.



FIGYELEM! Általános munkavédelmi szabályok:
Munkahelyi biztonság:

- Tartsa tisztán a munkaterületét és ügyeljen a jó megvilágításra! A munkaterületén uralkodó rendetlenség balesetekhez vezethet.
- Ne dolgozzon elektromos szerszámmal robbanásveszélyes környezetben, gyulladásveszélyes folyadékok, gázok vagy folyadékok közelében. Az elektromos szerszámok használata során szikra keletkezhet, mely belobbanthatja a port és a gőzöket.
- Tartsa távol a gyermekeket attól a helytől, ahol használja az elektromos szerszámot. A figyelemelterelés miatt elveszítheti kontrollját az elektromos szerszám felett.



FIGYELEM! A szerszám biztonságos használatával kapcsolatos általános szabályok:

Elektromos biztonság:

- Az elektromos szerszám csatlakozó dugója meg kell feleljen az aljzattal. Tilos a csatlakozó dugó módosítása! Tilos hosszabbítók használata a védőföldeléses kábelrel ellátott elektromos szerszámok esetében! A csatlakozó dugók és aljzatok módosítása növeli az áramütés kockázatát!
- Kerülje a testi érintkezést a földelt felületekkel vagy tárgyakkal, mint a csövek, fűtőtestek, fűtőradiátorok vagy hűtőszekrények! A földelt részekkel való érintkezés esetén nő az áramütés kockázata!
- Ne tegye ki esőnek vagy nedves környezetnek az elektromos szerszámot! Víz behatolása esetén nő az áramütés kockázata!
- Ne erőltesse a csatlakozó kábel! Ne használja a hálózati kábelt a szerszám mozgatására, húzására vagy a csatlakozó dugó aljzatról történő kihúzására. Tartsa távol a hálózati kábelt hőforrásoktól, olajtól, éles szélektől és mozgó alkatrészekről! A sérült vagy összegabalyodott kábelek növelik az áramütés kockázatát!
- Amennyiben az elektromos szerszámot a szabadban használja, a csatlakozást a szabadban történő használatra alkalmas kültéri hosszabbítókkal kell megoldani. A szabadban történő használatra alkalmas hosszabbítók használata csökkenti az áramütés kockázatát.
- A berendezést 30mA vagy kisebb kioldó áramú védőkapcsolós (RCD) elektromos hálózatra javasolt kapcsolni csatlakoztatni.

- Amennyiben az elektromos szerszámot nedves környezetben használja, elkerülhetetlen egy feszültségvédelmi eszköz használata, mint egy hibaáram védelmi kapcsolóé (RCD). Az RCD használata csökkenti az áramütés kockázatát.



FIGYELEM! A szerszám használatának biztonságával kapcsolatos általános figyelmeztetések:

Személyi biztonság:

- Ez a berendezés nem használható csökkentett fizikai, szenzoriális vagy mentális képességű személyek (beleértve a gyermekeket is), tapasztalattal nem rendelkező személyek vagy olyan személyek által, akik nem ismerik a berendezést, kivételt képeznek azok a helyzetek, amikor a berendezés használata felügyelet alatt vagy a használati utasítások betartásával történik egy, a biztonságért felelős személy által.
- Legyen figyelmes, összpontosítson arra, amit csinál és legyen mindig annak tudatában, hogy elektromos szerszámmal dolgozik! Ne használja az elektromos szerszámot, ha fáradt, ha kábítószert, alkoholt vagy gyógyszer befolyása alatt áll! Elektromos szerszám használatánál egy pillanattal figyelmetlenség is komoly sérülések okozója lehet!
- Hordjon védőruházatot! Minden esetben viseljen védőszemüveget! Olyan védőruházat hordása mint a porvédő maszk, csúszásbiztos cipő, fülvédő vagy hallásvédő csökkenti a sérülések kockázatát!
- Kerülje el, hogy az elektromos szerszám véletlenül bekapcsoljon! A hálózati áramforrásra történő csatlakozás és/vagy az akkumulátor csatlakoztatása, valamint a szerszám felemelése vagy mozgatása előtt, győződjön meg arról, hogy az elektromos szerszám kapcsolója kikapcsolt állapotban van! Az elektromos szerszám mozgatása vagy bekapcsolt állapotban történő használata balesetet okozhat!
- Az elektromos szerszám beindítása előtt távolítsa el minden szerszámot a közelből! Az elektromos szerszám mozgó részein hagyott szerszámok sérüléseket okozhatnak!
- Ne hajtjon le mélyen! Álljon biztosan és tartsa meg az egyensúlyát! Ez az elektromos szerszám jobb ellenőrzését teszi lehetővé váratlan helyzetekben.
- Ötözzön fel megfelelően! Ne hordjon bő ruházatot vagy ékszert! Haját kösse be, ruházatát és kesztyűjét tartsa távol a mozgó alkatrészekről! A bő ruházat, az ékszer és a hosszú haj beleakadhat a mozgó alkatrészekbe.
- Amennyiben a berendezés alkalmas külső porszívó és porgyűjtő csatlakoztatására, győződjön meg arról, hogy ezek helyesen lettek csatlakoztatva és használva. A porgyűjtő használata csökkentheti a porral járó veszélyek kockázatát.
- Ne engedje, hogy az elektromos szerszám gyakori használata során szerzett jártasság hatására túlzott magabiztossá váljon és figyelmen kívül hagyja a biztonsági szabályokat. A figyelmen kívül hagyás alatt súlyos testi sérülést okozhat.



FIGYELEM! A szerszám biztonságos használatára vonatkozó általános figyelmeztetések:

Az elektromos szerszám használata és gondozása:

- Ne terhelje túl az elektromos szerszámot! Az elvégzendő

munkához szükséges teljesítmény függvényében használjon elektromos szerszámokat! A megfelelő elektromos szerszám jobb működést és biztosabb terhelést tesz lehetővé.

- b) **Tilos az elektromos szerszám használata, ha a kapcsoló nem indítja el és nem állítja meg a szerszámot!** Minden elektromos szerszám, amely nem indul el vagy nem áll meg, veszélyes és meg kell javítani!
- c) **Minden beállítás, alkatrészcsere vagy tárolás előtt húzza ki a csatlakozó dugót az elektromos szerszám hálózati áramforrásából és/vagy vegye ki az akkumulátort!** Ezek a biztonsági intézkedések csökkentik az elektromos áram véletlenszerű bekapcsolását.
- d) **A használaton kívüli elektromos szerszámot gyermekektől távol kell tárolni, és nem szabad kölcsön adni olyan személyeknek, akik nem ismerik az elektromos szerszámot vagy nem olvasták el annak használati utasításait!** Az elektromos szerszám veszélyes, ha tapasztalat nélküli személy használja!
- e) **Az elektromos szerszámot karban kell tartani!** Ellenőrizni kell a mozgásban lévő alkatrészek vonalbeállítását vagy zavarát, az alkatrészek törését és egyéb tényezőket, melyek befolyásolhatják az elektromos szerszám működését! Ha rongálódást észlelünk, az elektromos szerszámot még használat előtt meg kell javítani! Számos baleset oka az elektromos szerszám nem megfelelő karbantartása.
- f) **A vágószerszámok élesek és tiszták kell legyenek!** A vágószerszámok éles alkatrészeinek karbantartása csökkenti az anyagba történő beakadás kockázatát és megkönnyíti a használatot.
- g) **Az elektromos szerszámot, a berendezést, a munkaszerszámokat, stb. jelen utasításoknak megfelelően kell használni, figyelembe véve a munka jellegét és feltételeit.** Az elektromos szerszám rendeltetésétől eltérő használat veszélyes helyzeteket okozhat.
- h) **Alacsony hőmérsékleten vagy hosszabb használaton kívüli időszakot követően ajánlott az elektromos szerszám teher nélküli elindítása néhány percre a kenőanyag átviteli mechanizmusba történő helyes elosztása érdekében.**
- i) **Az elektromos szerszám tisztításához puha, nedves (nem vizes) rongyot és szappant használjon!** Ne használjon benzint, oldószert vagy egyéb anyagokat, amelyek károsíthatják a berendezést!
- j) **Az elektromos szerszámot csak azután lehet tárolni/szállítani, miután megbizonyosodtunk arról, hogy minden mozgó eleme rögzítésre és biztosításra került a rögzítésre szánt eredeti elemek segítségével.**
- k) **Az elektromos szerszámot száraz helyen kell tartani, védve a portól és a nedvségtől.**
- l) **Az elektromos szerszám szállítása az eredeti csomagolásban történhet, megvédve ezáltal a mechanikai sérülésektől.**
- m) **A markolatot és a fogófelületeket tisztán, olaj- és kenőanyagtól mentesen kell tartani. A csúszós markolatok és fogófelületek lehetetlenné teszik a szerszám biztonságos fogását és felügyeletét az esetleges váratlan szituációkban.**



FIGYELEM! A szerszám biztonságos használatára vonatkozó általános figyelmeztetések:

Javítás:

- a) **Az elektromos szerszámok garanciális és garancia utáni javítását a PROFIX Szerviz végzi, ami garantálja a javítás kiváló minőségét és az eredeti alkatrészek használatát.**



FIGYELEM!

Az elektromos szerszám használati ideje alatt ajánlott betartani a munkabiztonsági alapszabályokat a tüzesetek, áramütés vagy mechanikai sérülések elkerülése érdekében.



FIGYELMEZTETÉS! AKKUMULÁTOROS SZABLYAFŰRÉSZ, berendezés biztonságos használatára vonatkozó útmutatók:


- a) **Olyan munkavégzések során, ahol a szerszám rejtett elektromos vezetékekre akadhat, az elektromos szerszámot a markolat szigetelt felületénél kell fogni.** A tápvezetékekkel való érintkezés során az elektromos szerszám összes fém eleme feszültség alá kerülhetnek, ami áramütést okozhat.
- b) **Megfelelő detektor műszert kell használni a rejtett tápvezetékek lokalizálásához, vagy kikérni a létesítmény adminisztrációjának a segítségét.** A feszültség alatt lévő vezetékek megérintése tűz és áramütéshez vezethet. A gázvezeték sérülése robbanásához vezethet. A vízvezeték sérülése anyagi károkat eredményez.
- c) **Tilos azbesztet tartalmazó anyagot megmunkálni.** Az azbeszt daganatos betegséget okoz.
- d) **A munkavégzés helyét tisztán kell tartani.** Az anyagból keletkezett keverékek különösen veszélyesek. A könnyűfémből keletkezett por meggyulladhat vagy felrobbanhat.
- e) **Nem szabad kézzel vagy talppal megtartani a megmunkált anyagot. A megmunkált anyagot megfelelően rögzíteni kell a rögzítő berendezésen vagy a satuban.** Győződjön meg róla, hogy minden befogó be van nyomva és ellenőrizzé, hogy nincs túl nagy hézag.
- f) **Minden esetben védőszemüveget és fülvédőt kell viselni. Ha szükséges, viseljen védőmaszkot a káros por belélegzése okozta veszély csökkentéséhez.**
- g) **Vigyázzon, hogy a munkatalp (2) a vágás során szorosan tapadjon a megmunkált anyaghoz.** Fennáll a fűrészlappal beragadásának a veszélye. A beragadt fűrészlappal eltérhet vagy visszarúghat.
- h) **Kizárólag ép, sérülésektől mentes fűrészlapot szabad használni.** Az elferdült vagy tompa fűrészlappal eltérhet vagy visszarúghat.
- i) **Az elektromos szerszámot azelőtt kell bekapcsolni, mielőtt a fűrészlappal érintkezik a megmunkált anyaggal.** Ellenkező esetben fennáll a visszarúgás kockázata, amikor a szerszám elakad a megmunkált anyagban.
- j) **Az elektromos szerszámot erősen két kézzel kell fogni és biztosítani kell a biztonságos munkapozíciót.** Az elektromos szerszámot biztonságosabb két kézzel vezetni.
- k) **Tartsa távol a kezét a vágási tartománytól. Ne tolja be a kezét a megmunkált anyag alá.** A fűrészlappal való érintkezéskor fennáll a testi sérülés veszélye.

- l) A munka végeztével kapcsolja ki az elektromos szerszámot. A fűrészlapon akkor lehet kivezetni a megmunkált anyagból, amikor az már teljesen leállt. Ezzel elkerüli a visszarúgást és biztonságosan félreteheti az elektromos szerszámot.
- m) Ne próbálja lefékezni a fűrészlapon az oldalsó szorítás kikapcsolása után. A fűrészlapon megsérülhet, eltörhet vagy visszarúghat.
- n) Kapcsolja le a gépet az akkumulátorról a munkavégzés során tartott szünet alatt, a fűrészlapon cseréjekor, a gép javítása, tisztítása és beállítása előtt. Az elektromos szerszám visszahelyezése előtt várja meg, míg az teljesen megáll.



FIGYELMEZTETÉS! Az akkumulátorok és töltők biztonságos használata

Az akkumulátorok használata:

- a) Kizárólag a gyártó által megadott specifikációnak megfelelő akkumulátort szabad használni. Más akkumulátor használata az akkumulátor megrepedését és szétesését, testi sérülést vagy tüzet okozhat.
- b) FIGYELEM: Az akkumulátor sérülése és helytelen használata esetén robbanógázok kibocsátására is sor kerülhet. Az akkumulátort mindig távol kell tartani a lángtól és megfelelő szellőzést kell biztosítani a töltés során. Nem szabad hosszabb ideig olyan környezetben hagyni, ahol magas hőmérséklet uralkodik (napsütötte helyeken, fűtőtestek közelében vagy más olyan helyen, ahol a hőmérséklet meghaladja a 40 fokot).
- c) Az akkumulátor töltését 15-25 °C közötti hőmérsékleten kell végezni.
- d) Kizárólag a gyártó által ajánlott töltőt szabad használni. Más típusú akkumulátor töltésére szolgáló töltő használata tűzveszélyes.
- e) Óvja az akkumulátort a víztől és a nedvességtől.
- f) Amennyiben egymás után egymél több akkumulátort szeretne feltölteni, a töltések között 30 perc szüneteket kell tartani.
- g) Semmilyen esetben sem szabad felnyitni az akkumulátort.
- h) Kedvezőtlen feltételek esetén előfordulhat, hogy az akkumulátorból folyadék szivároghat ki; kerülni kell a folyadék bőrrel való érintkezését, az érintkezés helyét vízzel lemosni. Ha a folyadék szembe kerül, orvoshoz kell fordulni. Az akkumulátorból kifolyó folyadék irritációt vagy megégést okozhat.
- i) Amikor nem használja az akkumulátort, akkor azt távol kell tartani a fémtárgyaktól, mint gémkapocs, pénzérme, kulcs, szög, csavar és más apró fémtárgyak, amelyek rövidre zárhatják az akkumulátor pólusait. Az akkumulátor pólusainak a rövidzárlata megégést vagy tüzet okozhat.
- j) Tilos az akkumulátort tűzbe dobni.
- k) Tilos a sérült akkumulátort tölteni.
-  Az akkumulátor újratölthető, környezetre káros lítiumot tartalmaz. Az élettartama lejártá után a természetes környezetre vonatkozó szabályok alapján megsemmisíteni.
- E célból vegye ki a teljesen lemerült akkumulátort az elektromos szerszámából, adja le egy akkumulátor begyűjtő helyen vagy az üzletben, ahol azt megvásárolta.

- a) Kizárólag a gyártó által ajánlott töltőt szabad használni. Más típusú akkumulátor töltésére szolgáló töltő használata tűzveszélyes.
- b) Tilos a töltőt felnyitni.
- c) A töltő kizárólag beltéri használatra szolgál. Óvni a víztől és a nedvességtől.
- d) Csak 15-25 °C közötti hőmérsékleten tölteni.
- e) Semmilyen fémelemet nem szabad a töltőbe helyezni.

ASZABLYAFŰRÉSZ FELÉPÍTÉSE ÉS RENDELTEZÉSE:

Aszablyafűrész egy 20V akkumulátorral táplált berendezés.

A berendezés fában és faalapú anyagokban, műanyagban, fémekben, csempéken és gumiban végzett kivágások és szabások elvégzésére szolgál. Egyenes és görbe vonalú vágásra alkalmas. A vágás a megmunkált anyag szerint kiválasztott megfelelő fűrészlappal történik.

A berendezés nem alkalmas nehéz feltételek mellett hosszú ideig történő munkavégzésre. Tilos a szerszámot olyan munkálatokhoz használni, amelyek professzionális szerszám használatát igénylik.

A szerszám minden, fenti rendeltetéstől eltérő használata tilos és az a jótállás elvesztését eredményezi, valamint felmenti a gyártót az ilyen típusú felhasználás eredménye során bekövetkező kár felelősségeért.

A berendezés sajátkezü átalakítása felmenti a gyártót a felhasználóban és a környezetben keletkezett sérülések és károk felelőssége alól.

A szablyafűrész helyes használata kiterjed annak karbantartására, tárolására, szállítására és javítására.

A szablyafűrész kizárólag a gyártó által kijelölt szakszervizekben javítható. Az akkumulátoros berendezéseket kizárólag erre feljogosított személyek javíthatják.

A rendeltetésnek megfelelő használat ellenére sem lehet teljesen kizárni a maradékkockázat meghatározott tényezőit. A gép szerkezetére és felépítésére való tekintettel a következő veszélyhelyzetek léphetnek fel:

- A fűrészlapon megérintése a munkavégzés során a szablyafűrész nem védett területén;
- Égési sérülés a fűrészlapon cseréjekor. (A munkavégzés során a fűrészlapon rendkívül felhevül, az égési sérülések elkerülése végett a fűrészlapon cseréje során védőkesztyűt kell viselni);
- A megmunkált anyag vagy a megmunkált anyag darabjának a visszaverődése;
- A fűrészlapon megrepedése/eltörése;
- Halláskárosodás a szükséges fülvédő viselésének az elhanyagolása esetén;
- Egészségre káros fapороk kibocsátása zárt helyiségben végzett munkálatok során.

TARTOZÉKOK:

- Akkumulátoros szablyafűrész - 1 db.
- Fűrészlapon fához - 1 db.
- Imbuszkulcs - 1 db.
- Használati utasítások - 1 db.
- Garanciaalap - 1 db.

A BEREZDÉS ELEMEI:

A berendezés elemeinek a számozása a használati útmutató 2-3. oldalain bemutatott ábrára vonatkozik:

1. Fűrészlapon

A töltő használata:

2. Munkatalp
3. Fűrészlapp befogó
4. Karima
5. Segédfogantyú
6. Biztonsági gomb
7. Kapcsológomb
8. Fő fogantyú
9. Akkumulátor*
10. Akkumulátor reteszelő gomb*
11. Imbuszkulcs
12. Talprögzítő csavar
13. Töltő*
14. Adapter*
15. Akku töltési szint jelző gomb*
16. Akku töltési szint jelző *

*A leírt vagy bemutatott termék nem része a berendezés alapfelszereltségének. A további kiegészítők komplett választékát a katalógusunkban találod.

MŰSZAKI ADATOK:

MODELL		TJPS70
Áramfeszültség		20 V d.c.
Löketszám terhelés nélkül		0-2800/min
Lökethossz		22 mm
Vágástartomány	fa	100 mm
	acél	10 mm
Súly (akkumulátorral)		1,96 kg
Hangnyomás szint (LpA)		82,2 dB(A)
Hangerő szint (LwA)		93,2 dB(A)
K _{grav} , K _{wb} bizonytalanság		3 dB(A)
EN 60745 szabvány szerinti rezgés	Deszkavágás a _{h, g}	18,067 m/s ²
	Fagerenda vágás a _{h, wb}	16,844 m/s ²
K bizonytalanság		1,5 m/s ²
Javasolt akkumulátor Li-ion 20V: TJ15AK (1,5Ah), TJ2AK (2Ah), TJ4AK (4Ah)		
Javasolt töltők: TJ3LD(3-5h), TJ1LD (1h)		

Az említett vibrációs szint reprezentatív az elektromos készülék használatára szempontjából. Amennyiben az elektromos készülék más célból vagy egyéb munkaeszközzel kerül használatra, illetve ha karbantartása nem megfelelő, a vibrációs szint eltérhet a megjelölttől. A fent említett okok a vibrációs expozíció szintje növekedéséhez vezethetnek a működés teljes ideje alatt. Kiegészítő védelmi eszközöket kell használnia, melyek célja a vibrációs expozíció kezeletlen gyakorolt hatásaitól való védelem, mint pl.: Elektromos készülék és munkaeszközök karbantartása, a kezek megfelelő hőmérsékletének biztosítása, a munkatevékenységek sorrendjének megállapítása.

A megadott rezgésszint és a megadott zajkibocsátás mérése szabványos vizsgálati módszerrel történt és felhasználhatók a szerszámok összehasonlítására.

A megadott rezgésszint és a megadott zajkibocsátás felhasználható a kezdeti expozíció megállapítására.

Figyelmeztetések:

Az elektromos szerszám tényleges használata során a rezgésszint és a zajkibocsátás eltérhet a megadott értékektől, attól függően, hogyan használja a szerszámot, különösen függ a megmunkált anyag típusától.

A kezelőszemély biztonsága érdekében meg kell határozni a biztonsági

intézkedéseket, melyek a valós használat alatti expozíció megbecsülésén alapszik (figyelembe véve a művelet összes folyamatát, amikor a szerszám ki van kapcsolva, és amikor üresjáraton van, a kioldási idő kivételével).

AMUNKAVÉGZÉS MEGKEZDÉSE ELŐTT:

Minden használat előtt ellenőrizni, hogy a berendezés mozgó részei megfelelően működnek és nincsenek elakadva, elrepedve vagy megsérülve, ami hatással lehet a berendezés megfelelő működésére. A sérült berendezést használat előtt meg kell javíttatni.

■ Az akkumulátor töltése:

FIGYELEM! A berendezés akkumulátor és töltő nélkül kerül kiszállításra. Szükség esetén vásárolható 1.5Ah TJ15AK, 2.0Ah TJ2AK vagy 4.0Ah TJ4AK akkumulátor és megfelelő TJ3LD (3-5 óra töltési idővel) vagy TJ1LD (1 óra töltési idővel) töltő.

A töltési szintet az akkumulátor töltési szint kijelző gomb megnyomásával ellenőrizhető (15). Egy világító LED dióda alacsony töltési szintet, két világító dióda közepes szintet jelez, három világító dióda az akkumulátor teljes feltöltést jelzi. Használat előtt teljesen fel kell tölteni az akkumulátort.

TJ1LD Töltő

A TJ1LD töltővel történő első töltés esetén legalább 1 óra hosszú töltés ajánlott.

1. Nyomja meg az akkumulátor reteszelő gombot (9) és vegye ki az akkumulátort (8) a fűrészből (lásd a B. ábrát).
2. Csatlakoztassa az akkumulátort (9) a töltőre (13) (lásd a C. ábrát).
3. Csatlakoztassa a töltő dugaszát a 220-240V, 50Hz hálózati aljzatra.

TJ3LD Töltő

A TJ3LD töltővel történő első töltés esetén legalább 5 óra hosszú töltés ajánlott.

1. Nyomja meg az akkumulátor reteszelő gombot (9) és vegye ki az akkumulátort (8) a fűrészből (lásd a B. ábrát).
2. Csatlakoztassa az akkumulátort (9) a töltőre (13) (lásd a D. ábrát).
3. Csatlakoztassa az adapter dugaszát a töltőre.
4. Csatlakoztassa az adaptert (14) a 110-240V, 50-60Hz hálózati aljzatra.

■ Akkumulátor töltésjelzése

A töltő világító zöld LED diódája arról tájékoztat, hogy a töltő csatlakoztatva van a tápforrásra. Az akkumulátor csatlakoztatása után kigyullad a piros dióda, mely arról tájékoztat, hogy a töltés folyamatban van. Ezt az akkumulátor villogó zöld LED diódája is jelzi az akkumulátor aktuális töltési szintjének a jelzésével.

Amikor az akkumulátor teljesen feltöltődik, elalszik a piros dióda és kigyullad a zöld dióda.

A töltés végetével kapcsolja le a töltőt a hálózatról és vegye ki az akkumulátort.

FIGYELEM! A töltés során az akkumulátor enyhén felmelegedhet, ez normál jelenségnek tekinthető.

A lítiumos-ionos akkumulátort bármikor utántöltheti, ez nem csökkenti annak élettartamát. A töltési folyamat felbeszakitása nem növeli az akkumulátor celláksérülésének a kockázatát.

FELKÉSZÜLÉS A MUNKAVÉGZÉSRE:

A fa, forgácslemez, építőanyag stb. vágásának a megkezdése előtt ellenőrizze, hogy nem tartalmaznak idegen anyagot, például szöveget, csavart, majd használjon a vágáshoz megfelelő fűrészlappot.

■ A fűrészlapp behelyezése (lásd az E. ábrát)

A szabványfűrészhöz minden piacon kapható, univerzális 1/2" foglalatú fűrészlappot használhat.

A gyártók által ajánlott fűrészlapok kompletten, a rendeltetéstől függően, nagyságban és vágófog típusban térhetnek el egymástól. A fűrészlap csomagolásán vagy a mellékelt szórólapon általában fel van tüntetve az egyes pengék rendeltetési célja. Maguk a fűrészlapok színjelöléssel is rendelkezhetnek, eltérő színnel megjelölve a különböző vágott anyagot.

A fűrészlap nem lehet hosszabb a tervezett vágásnál. Kis sugarú görbe vonalak vágásához keskeny fűrészlapot kell használni.



FIGYELEM! A fűrészlap beszerelése és minden karbantartási művelet előtt távolítsa el az akkumulátort a készülékből.

A fűrészlap behelyezésekor védőkesztyűt kell viselni. A fűrészlap megérintésekor fennáll a sérülés veszélye.

- Forgassa el a befogó karimáját (4) kb. 45°-ban a nyíl irányába és tartsa meg ebben a pozícióban.
- Tolja be a kiválasztott fűrészlapot (1) a befogóba (3). Engedje el a befogó karimáját (4), amely automatikusan blokkolja a fűrészlapot.

FIGYELEM! Ellenőrizze, hogy megfelelően rögzítette a fűrészlapot. A lazán álló fűrészlap kieshet és testi sérülést okozhat a kezelőszemélyben.

- Az alkalmazástól függően 180° elforgatott fűrészlapot is beszerelhet (fűrészfogakkal felfelé) (lásd a F. ábrát).

■ A fűrészlap kivétele

FIGYELEM! Kapcsolja le a szerszámot a tápforrásról.

- A fűrészlap kivételéhez húzza ki és közben forgassa el a befogó karimáját (4) a nyíl irányába. Óvatosan nyúljon hozzá a forró fűrészlaphoz.

Az eltört fűrészlapot a következő módon lehet kivenni:

- Tartsa lefelé nézve a szerszámot, forgassa el a karimát (4) és rázza meg a szerszámot fel-le irányba. Ki kell esnie a befogóból az eltört fűrészlap nyelének.

■ Munkatalp

A munkatalp (2) hozzápasseztható a felhasznált fűrészlaphoz és a megmunkálás típusához, fokozatmentesen beállítva a hosszúságát (lásd az A. ábrát).

FIGYELEM! Kapcsolja le a szerszámot a tápforrásról.

- Lazítsa meg a munkatalp rögzítő csavart (12) a mellékelt imbuszkulccsal (11) (a kulcs a tárolóban van a fő fogantyú jobb oldalán) és állítsa be a munkatalpat (2) a kívánt pozícióba.
- Húzza meg újra a csavart (12) és ellenőrizze, hogy a talp (2) megfelelően van rögzítve.

HASZNÁLAT:

■ Bekapcsolás/kikapcsolás

Az elektromos szerszám bekapcsolásához előbb nyomja meg a fogantyú (8) bal vagy jobb oldalán lévő biztonsági gombot (6), majd nyomja meg a kapcsológombot (7).

Az elektromos szerszám kikapcsolásához engedje el a kapcsológombot (7).

■ Löketszám szabályozása

A kapcsológomb (7) erősebb vagy gyengébb nyomásával tudja fokozatmentesen szabályozni a löketszámot.

A kapcsológomb (7) enyhe megnyomása kis löketszámot eredményez. A nyomóerő növelése növeli a löketszámot.

A vágáshoz szükséges löketszám a kiválasztott anyagtól és a munkafeltételektől függ és ez a gyakorlatban derül ki.

A fűrészlap megmunkált anyagba helyezésekor, valamint a műanyagban és alumíniumban végrehajtott vágásokor ajánlott csökkenteni a löketszámot.

MUNKAVÉGZÉssel KAPCSOLATOS ÚTMUTATÓK:

FIGYELEM! Könnyű építőanyagok fűrészélésekor be kell tartani a jogszabályokat és az anyag gyártójának az ajánlásait.

Ügyeljen arra, hogy a fűrészlap mindig hosszabb legyen, mint a megmunkált elem keresztmetszete. Visszarúgás veszélye. (lásd az I. ábrát).

A fűrészlap megmunkált anyagban való elakadása esetén azonnal kapcsolja ki az elektromos szerszámot.

Megfelelő szerszámmal enyhén tágtátsa szét a fűrészelt nyílást és húzza ki a fűrészlapot.

■ Kivágás (lásd a G. ábrát)

Fúrjon ki a fúróval 20 mm nyílást a vágott területen. Vezesse be a szabályfűrész fűrészlapját a nyílásba és kezdje meg a vágást.

■ Mélységi vágás (lásd a H. ábrát)



FIGYELEM! Mélységi vágás során csak puha anyagokat lehet megmunkálni, mint a fa, gipszkarton lemezek és ehhez hasonló anyagok!

Mélységi vágáshoz csak rövid fűrészlapokat szabad használni.

Helyezze le az elektromos szerszámot a talp elülső élével (2) a megmunkált anyagra és kapcsolja be. Szabályozható löketszámú elektromos szerszámok esetében válassza ki a maximális löketszámot.

Nyomja erősen az elektromos szerszámot a megmunkált anyagra és vezesse be lassan a fűrészlapot a megmunkált anyagba. Mivel csak a talp (2) fekszik teljes felületével a megmunkált anyagon, vágja tovább a vágási vonal mentén.

■ A fűrész megfelelő használatának az alapszabályai

- Az anyagot mérsékelt erőt kifejtve kell elvágni, ne tegye ki a fűrészelt túlzott terhelésnek;
- A fűrészre kifejtett túlzott terhelés a fűrészlap fel-le mozgásának a lassulását vagy leállását, és ezáltal a vágás lassulását vagy leállását okozhatja;
- Vágás során a fűrész talpának teljes felületével érintkeznie kell a megmunkált anyaggal;
- Formaidom kemény anyagban való kivágás előtt előbb fúrjon egy lyukat az anyagba, ami lehetővé teszi a fűrészlap behelyezését. Ellenkező esetben fennáll a visszarúgás és a fűrészlap eltörésének a kockázata;
- Éles szöveget alkotó vonal vagy kis sugarú ívekből álló vonal vágásakor lehetőleg keskeny fűrészlapot használjon;
- A felhevülő anyagra való tekintettel, fém fűrészélésekor hordjon fel a vágásvonal hosszában hűtő-kenőanyagot.

TÁROLÁS ÉS KARBANTARTÁS:

A berendezést gyermekektől elzárva tárolni, tiszta állapotban tartani, óvni a nedvségtől és a portól. A tárolási feltételeknek lehetetlenné kell tenniük a gép mechanikus sérülését és a káros légköri tényezők hatását. Sohase tárolja az akkumulátort napon, fűtőtestek közelében vagy az ablakok mögött.

FIGYELEM: A tisztítási és karbantartási műveletek végrehajtása előtt mindig távolítsa el az akkumulátort a berendezésről és húzza ki a töltőt a hálózati aljzattól.

Rendszeresen ellenőrizze a fűrész rögzítő csavarjainak az állapotát. Szükség esetén húzza meg őket.

A munka befejeztével ajánlatos sűrített levegővel átfújni a szellőzőnyílásokat és a fűrészlap befogóját. Ez megelőzi a csapágyak sérülését, eltávolítja a motort hűtő friss levegő bevezetését akadályozó port.

A berendezést enyhén szappanos, nedves törölkendővel kell tisztítani, majd szárazra törölni. Semmilyen tisztítószert vagy oldószert ne használjon; sérülést okozhatnak a berendezés műanyag elemeiben. Ügyeljen arra, hogy ne jusson be víz a szerszám belsejébe. A töltőt csak száraz törölkendővel szabad tisztítani.

SZÁLLÍTÁS:

A fűrész a nedvesség, a por és az apró részecskék okozta szennyeződéstől védve kell szállítani és tárolni, különösen a szellőző nyílásokat kell bebiztosítani. A gép belsejébe kerülő apró részecskék a motor károsodását okozhatják. Ha eltávolítja az akkumulátort a készülékből a szállítás vagy tárolás idejére, győződjön meg róla, hogy nem zárnak rövidre az akkumulátor érintkezői. Távolítsa el a bőröndből, szerszámosládából vagy a szállítótárolóból a fémtárgyakat, pl. kötőcsavarokat, szögeket, csatokat, szétszórt bifejeket, drótokat vagy fémreszelékeket, vagy más módon előzze meg ezen elemek akkumulátorral való érintkezését.

GYÁRTÓ:

PROFIX Sp. z o.o.,
Marywilska u. 34,
03-228 Varsó, LENGYELORSZÁG

Ez a gép megfelel a nemzeti és európai szabályoknak, valamint a biztonsági előírásoknak.

FIGYELEM! Műszaki problémák esetén lépjen kapcsolatba a márkaszervizzel. Minden javítást szakképzett személy végezhet, kizárólag eredeti cserealkatrészt használva!

PIKTOGRAMOK:

A névleges táblázatban szereplő rajzok magyarázata:



– «**Bekapcsolás és működtetés előtt olvassa el a használati utasításokat!**»



– «**Ővni az akkumulátort a magas hőmérséklettel, pl. az állandó napsugárzástól.**»



– «**Tilos az akkumulátort tűzbe dobni.**»



– «**Tilos az akkumulátort vízbe dobni.**»



– «**Kizárólag beltéri használatra.**»

KÖRNYEZETVÉDELEM:



FIGYELEM! Ez a jel jelöli, hogy a használt készüléket tilos egyéb hulladékkal egy helyen elhelyezni (pénzbüntetés terhe mellett). Elektromos és elektronikus gépek veszélyes alkotórészei negatívan befolyásolják a környezetet és az emberek egészségét.

Minden háztartásnak hozzá kell járulnia a használt készülékek visszanyeréséhez és újrahasznosításához. Úgy Lengyelországban, mint Európában megszervezik vagy már létezik a használt készülékek gyűjtési rendszere, melynek keretében az adott készülék minden értékesítési helyén kötelesek átvenni a használt készüléket. Ezenkívül léteznek ilyen típusú készülékek gyűjtő központjai is.

TÍPIKUS MEGHIBÁSODÁSOK ÉS AZOK ELTÁVOLÍTÁSA:

MEGHIBÁSODÁS	LEHETSÉGES OK	HIBA ELTÁVOLÍTÁSA
A fűrész nem működik.	Nincs tápellátás, sérült motor vagy kapcsológomb.	Ellenőrizze az akkumulátor töltöttségét, szükség esetén tölteni vagy újra cserélni. Ha továbbra sem működik az elektromos szerszám, küldje be a garanciakártyán megadott című szervizbe.
Zavar a motor működésében.	Lemerült elem.	Töltse fel az akkumulátort.
	Elkopott szénkefék.	Cseréltesse ki a szénkeféket a szervizben.



A PROFIX cég politikája az, hogy folyamatosan tökéletesítse termékeit, ezért fenntartja magának azt a jogot, hogy a termék specifikációit előzetes tájékoztatás nélkül módosítsa! A használati utasításokban megjelölt ábrák csak példák, ezek kicsit eltérhetnek a megvásárolt eszköz valódi arculatától!

Az alábbi útmutatót szerzői jogok védik. Ennek másolása / sokszorosítása a Profix Sp. z o.o. cég írásos beleegyezése nélkül tilos.

DT-C2/d_zg/0339/02

Łomna Las: 2023.08.18

(EN) EC/EU DECLARATION OF CONFORMITY
(PL) DEKLARACJA ZGODNOŚCI WE/UE
(RO) DECLARAȚIE DE CONFORMITATE CE/UE

(LV) EK/ES ATBILSTĪBAS DEKLARĀCIJA
(LT) EB/ES ATITIKTIES DEKLARACIJA
(CS) ES/EU PROHLÁŠENÍ O SHODĚ

(HU) EK/EU-MEGFELELŐSÉGI NYILATKOZATA

(EN) MANUFACTURER	(PL) PRODUCENT	(RO) PRODUCĂTOR	(LV) RAŽOTĀJS	(LT) GAMINTOJAS	(CS) VÝROBCE	(HU) GYÁRTÓ
----------------------	-------------------	--------------------	------------------	--------------------	-----------------	----------------

PROFIX Sp. z o.o. ul. Marywilska 34, 03-228 Warszawa

(EN) Person who was authorized to develop technical documentation:
(PL) Osoba upoważniona do przygotowania dokumentacji technicznej:
(RO) Persoana împuternicită pentru pregătirea documentației tehnice:
(LV) Persona atbildīga par tehniskās dokumentācijas sagatavošanu:

(LT) Asmuo įgaliojotas parengti techninę dokumentaciją:
(CS) Osoba oprávněna připravit technickou dokumentaci:
(HU) Műszaki dokumentáció elkészítésére meghatalmazott személy:

Mariusz Rotuski, Centrum Dystrybucyjno-Handlowe PROFIX, ul. Dobra 3, Łomna Las, 05-152 Czosnow

(EN) Cordless sabre saw (PL) Pilarka szablowna akumulatorowa (RO) Fierăstrău sabie cu acumulator (LV) Akumulatoru zobenzāģis (LT) Akumulatorinis tiesinis p (CS) Akumulátorová mečová pila (HU) Akumulátoros szabályfűrész

TRYTON TJP570

JOL-YFT01-20V
20 V d.c.
S2332 -...- S2421

(EN) The object of the declaration described above is in conformity with the relevant Union harmonisation legislation: (PL) Wymieniony powyżej przedmiot niniejszej deklaracji jest zgodny z odpowiednimi wymaganiami unijnego prawodawstwa harmonizacyjnego: (RO) Obiectul declarației descris mai sus este în conformitate cu legislația relevantă de armonizare a Uniunii: (LV) Iepriekš aprakstītais deklarācijas priekšmets atbilst attiecīgajam Savienības saskaņošanas tiesību aktam (LT) Pirmiau aprašytas deklaracijos objektas atitinka susijusius derinamuosius Sąjungos teisės aktus: (CS) Vyše popsaný předmět prohlášení je ve shodě s příslušnými harmonizačními právními předpisy Unie: (HU) A fent ismertetett nyilatkozat tárgya megfelel a vonatkozó uniós harmonizációs jogszabálynak:

(EN) 2006/42/EC (OJ L 157, 9.6.2006, p. 24–86); 2014/30/EU (OJ L 96, 29.3.2014, p. 79–106); 2011/65/EU of the European Parliament and of the Council of 8 June 2011 on the restriction of the use of certain hazardous substances in electrical and electronic equipment (OJ L 174, 1.7.2011, p. 88–110) change 2015/863/UE;
(PL) 2006/42/WE (Dz.U. L 157 z 9.6.2006, str. 24–86); 2014/30/UE (Dz.U. L 96 z 29.3.2014, str. 79–106); 2011/65/UE z dnia 8 czerwca 2011 r. w sprawie ograniczenia stosowania niektórych niebezpiecznych substancji w sprzęcie elektrycznym i elektronicznym (Dz.U. L 174 z 1.7.2011, str. 88–110), zmiana 2015/863/UE;
(RO) 2006/42/CE (JO L 157, 9.6.2006, p. 24–86); 2014/30/UE (JO L 96, 29.3.2014, p. 79–106); 2011/65/UE a Parlamentului European și a Consiliului din 8 iunie 2011 privind restricțiile de utilizare a anumitor substanțe periculoase în echipamentele electrice și electronice (JO L 174, 1.7.2011, p. 88–110) schimbare 2015/863/UE;
(LV) 2006/42/EK (OV L 157, 9.6.2006., 24./86. lpp.); 2014/30/ES (OV L 96, 29.3.2014., 79./106. lpp.); 2011/65/ES (2011. gada 8. jūnija) par dažu bīstamu vielu izmantošanas ierobežošanu elektriskās un elektroniskās iekārtās (OV L 174, 1.7.2011., 88./110. lpp.) maiņa 2015/863/UE;
(LT) 2006/42/EB (OL L 157, 2006 6 9, p. 24–86); 2014/30/ES (OL L 96, 2014 3 29, p. 79–106); 2011/65/ES 2011 m. birželio 8 d. dėl tam tikrų pavojingų medžiagų naudojimo elektros ir elektroninėje įrangoje apribojimo (OL L 174, 2011 7 1, p. 88–110); pokytis 2015/863/UE;
(CS) 2006/42/ES (Úř. věst. L 157, 9.6.2006, s. 24–86); 2014/30/EU (Úř. věst. L 96, 29.3.2014, s. 79–106); 2011/65/EU ze dne 8. června 2011 o omezení používání některých nebezpečných látek v elektrických a elektronických zařízeních (Úř. věst. L 174, 1.7.2011, s. 88–110) změna 2015/863/UE;
(HU) 2006/42/EK (HL L 157., 2006.6.9., 24–86. o.); 2014/30/EU (HL L 96., 2014.3.29., 79–106. o.); 2011/65/EK irányelve (2011. június 8.) egyes veszélyes anyagok elektromos és elektronikus berendezésekben való alkalmazásának korlátozásáról (HL L 174., 2011.7.1., 88–110. o.) változás 2015/863/UE;

(EN) References to the relevant harmonised standards used or references to the other technical specifications in relation to which conformity is declared:
(PL) Odniesienia do odpowiednich norm zharmonizowanych, które zastosowano, lub do innych specyfikacji technicznych, w stosunku do których deklarowana jest zgodność:
(RO) Trimiteri la standardele armonizate relevante folosite sau trimiteri la celelalte specificații tehnice în legătură cu care se declară conformitatea:
(LV) Atsauces uz attiecīgajiem izmantotajiem saskaņotajiem standartiem vai uz citām tehniskajām specifikācijām, attiecībā uz ko tiek deklarēta atbilstība:
(LT) Susijusių taikytų darnųjų standartų nuorodos arba kitų techninių specifikacijų, pagal kurias buvo deklaruota atitiktis, nuorodos:
(CS) Odkazy na příslušné harmonizované normy, které byly použity, nebo na jiné technické specifikace, na jejichž základě se shoda prohlašuje:
(HU) Az alkalmazott harmonizált szabványokra való hivatkozás vagy az azokra az egyéb műszaki leírásokra való hivatkozás, amelyekre I kapcsolatban megfelelőégi nyilatkozat tették.

EN 62841-1:2015 EN 62841-2-11:2016

EN IEC 55014-1:2021 EN IEC 55014-2:2021

IEC 62321-3-1:2013 IEC 62321-4:2013 IEC 62321-5:2013 IEC 62321-6:2015 IEC 62321-7-1:2015 IEC 62321-7-2:2017 IEC 62321-1:2013 IEC 62321-2:2013

IEC 62321-8:2017

Mariusz Rotuski

Pełnomocnik Zarządu ds. Certyfikacji

Representative of the Board for Certification

(EN) This declaration of conformity is issued under the sole responsibility of the manufacturer. (PL) Niniejsza deklaracja zgodności wydana zostaje na wyłączną odpowiedzialność producenta. (RO) Prezenta declarație de conformitate este emisă pe răspunderea exclusivă a producătorului. (LV) Šī atbilstības deklarācija ir izdota vienīgi uz šāda ražotāja atbildību. (LT) Ši atitikties deklaracija išduota tik gamintojo atsakomybe. (CS) Toto prohlášení o shodě vydal na vlastní odpovědnost výrobce. (HU) E megfelelőégi nyilatkozat a gyártó kizárólagos felelősségére kerül kibocsátásra.

